



Contents

Electric Vehicle Supply Equipment (EVSE)

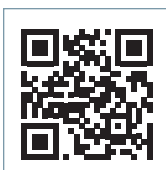
VersiCharge Features and Benefits	19-2
VersiCharge EVSE Catalog Logic, Accessories and Modules	19-3
VersiCharge Installation Options	19-4
VersiCharge Outdoor Post Options	19-5
VersiCharge Technical Features	19-6
VersiComm Cellular Gateway	19-7

Solar Photovoltaic (PV) Products *(discontinued product)*

Siemens Microinverter System	19-8
Microinverter Trunk and Drop Cabling	
Envoy Microinverter System Components	
Microinverter Accessories	



Scan to connect online to the most up-to-date version of this Section of SPEEDFAX.



Renewable Energy Products

VersiCharge Features and Benefits

Siemens VersiCharge line offers a variety of residential and semi-public electric car charger options.

Ranging from hardwired models, plug in alternatives, and a Wi-Fi enabled charger. For higher volume areas like apartments, townhomes, parking lots, applications where a wall isn't available, or pedestal mount is preferred, there is a stationary post to mount the VersiCharge onto.

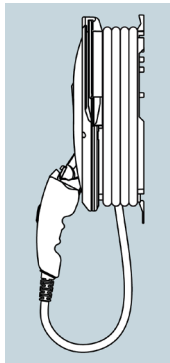


Easy, 2 Button Controls

- Indicating Halo for easy status check
- Left Button stops and restarts charging
- Right Button sets 2, 4, 6, or 8 hour Charge Delay
- LED Indicators for each

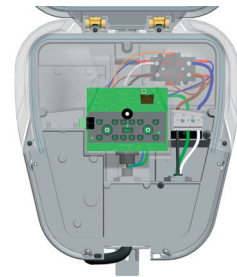
Cord Management

- Enclosure is designed for cord to be looped when not in use
- Built in J-Plug Holster stores and protects plug from weather, debris, and damage
- All VersiCharge units come with long flexible cord for easy charging



Load Control Compatible

- Inputs to remotely turn unit on or off
- Allows for control by home automation system or utility company



Hinged Lid for Speed and Ease

- Hinged cover stays in place for easy maintenance
- No components in cover mean no risk of damage
- Ample spacing to work inside device
- One hand open / close
- Cover uses only 4 screws compared to up to 12 for competitors



NEMA 4 Rated Enclosure

- Rated for direct water spray by sprinklers, hoses, or any weather
- ~50% recycled plastic content
- Glass impregnated plastic for strength and fire safety

Adjustable Amperage

- Allows for changing charge rate to accommodate demand response signals, for customer preference, circuit capability and car charging rate capacity

Smart Grid Capabilities

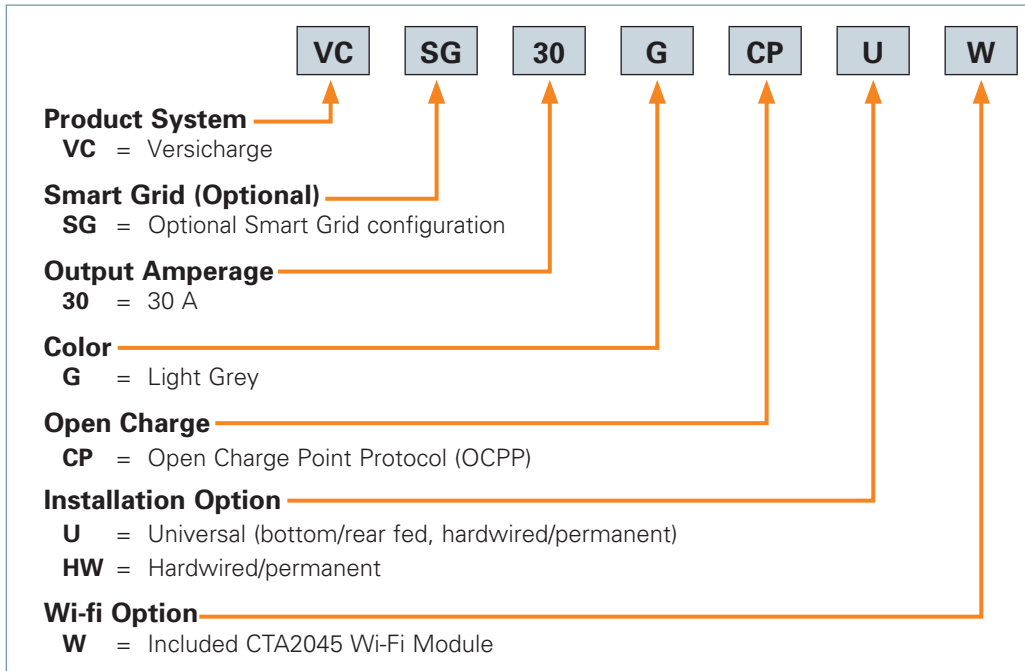
- The VersiCharge SG unit comes with the same standard hardware as the VC30GRYU but with the added benefit of Wi-Fi and a CTA2045 module to enable communication through the Siemens Cloud.
- Monitor and control charging status, charging schedule, and power level remotely through the VersiCharge SG SmartPhone App or via provided web pages
- Built in metering captures real time power usage data for easy to understand metrics
- The Siemens Billing-Enabled VersiCharge SG allows connection to 3rd party network provides using Open Charge Point Protocol (OCPP)



Renewable Energy Products

VersiCharge Catalog Logic, Accessories and Modules

Electric Vehicle Supply Equipment



VersiCharge electric vehicle chargers

Part number	Model	Output amperage	Color	Feeder Location
VC30GRYU	Universal VersiCharge	30A	Grey	Rear/Bottom/Hardwired
VC30GRYHW	Hardwired VersiCharge	30A	Grey	Hardwired
VCSG30GRYUW	Wi-Fi VersiCharge	30A	Grey	Rear/Bottom/Hardwired
VCSG30GCPUW	OCPP & Wi-Fi VersiCharge	30A	Grey	Rear/Bottom/Hardwired

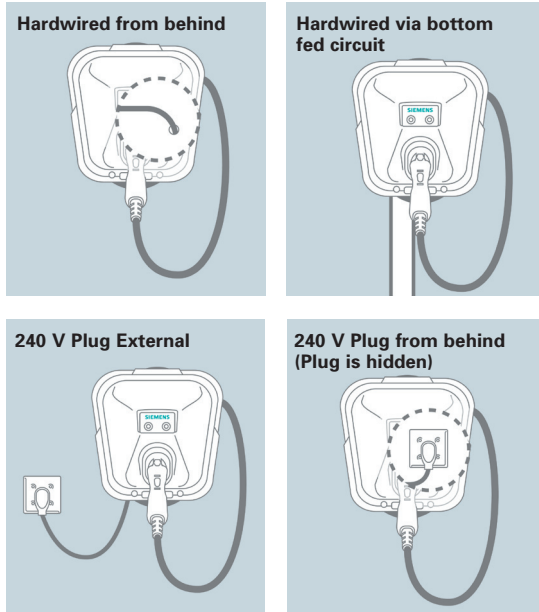
Accessories

Part number	Description	Color
VCMNTGBRK	Spare parts mounting bracket	Black
VCPOSTGRY	Outdoor mounting post	Grey
VCPOSTGRY2	Outdoor dual mounting post	Grey
VCCMSSP	Outdoor Single Cable management system	Grey
VCCMSDP	Outdoor Dual Cable management system	Grey

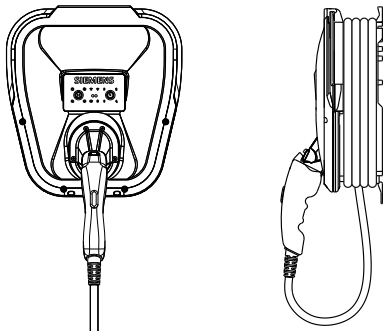
Renewable Energy Products

VersiCharge EVSE Installation Options

Flexible Install Options



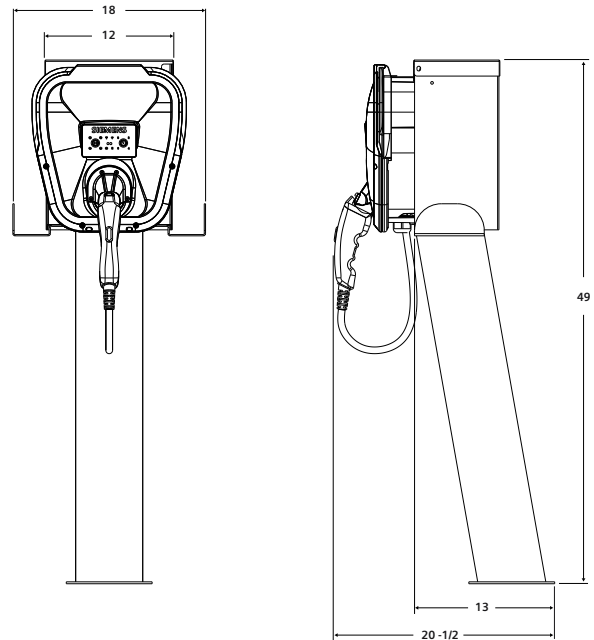
Wall Mounted EVSE



14.5" W x 16.0" H x 6.5" D (front of unit excluding connector) 15" minimum clearance recommended for connector when inserted.

Outdoor Mounting Post

tamper resistant hardware kit included



Mounting Bracket

included with every Siemens VersiCharge

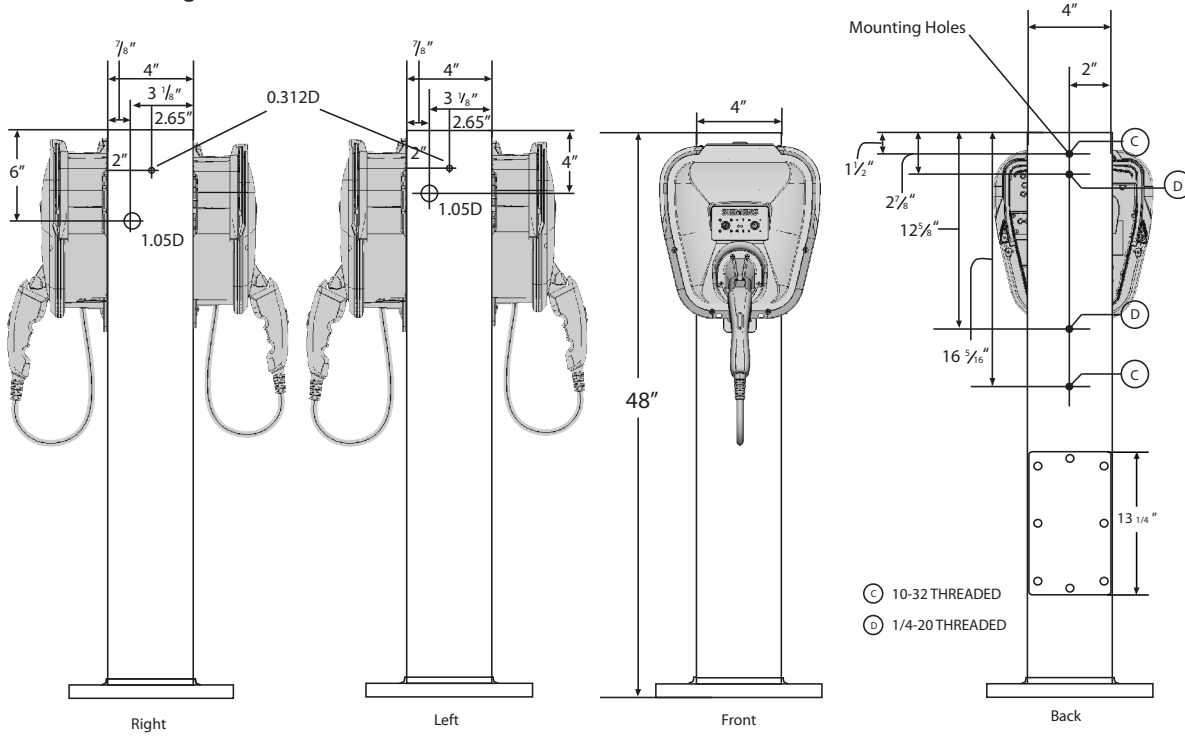


2.5" x 16.9"
Install at a minimum of 18" off the ground

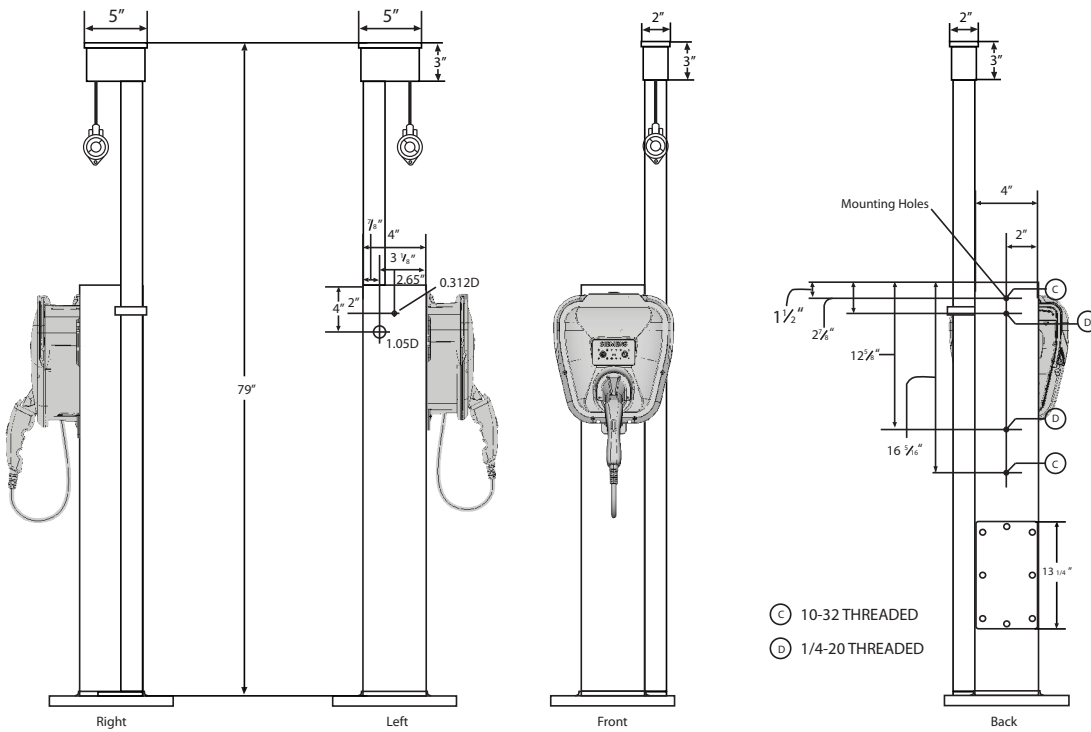
Renewable Energy Products

VersiCharge EVSE Outdoor Post Options

Dual Post Mounting



Single Post: Cable management for 20ft post



Renewable Energy Products

VersiCharge Technical Features

Technical Features

	Attribute	Hardwired Model	Universal Model	Wi-Fi Model with option to customize module	Wi-Fi Model with included module	Wi-Fi and OCPP enable Model
Essentials	Part Number	VC30GRYHW	VC30GRYU	VCSG30GRYU	VCSG30GRYUW	VCSG30GCPUW
	Input voltage	208 - 240 VAC				
	Output Amperage	30 Amps				
	Output power	1.8 kW to 7.2 kW				
	Standby Power	Less than 6 Watts	Less than 9 Watts			
	Cord length	14 ft.	20 ft.			
	Wall weight	12.5 lbs.	14.5 lbs.			
	Dimensions	14.5"W x 16.0"H x 6.5"D				
	Enclosure	NEMA 1	NEMA 4			
	Plug in installation	No	Yes (below or behind unit)			
	Permanent installation	Yes				
	Communication hardware	N/A	CTA2045 Interface without communication module		CTA2045 Interface with communication module	
	Network connection	N/A	Optional		Wi-Fi	Wi-Fi with OCPP
	Radio	N/A	Optional		High Performing 2.4 GHz IEEE 802.11 b/g/n	
	Connectivity	N/A	Communicated to vendor specific cloud		Communicated through local wireless network to VersiCharge SG Cloud	Communication through local wireless network to preferred OCPP networking back-end
	Metering accuracy	N/A	+/- 0.5% standard (custom precision variant available)			
	Reporting parameters	N/A	Power consumption, status, events			
	Demand response compatible	Yes, with accessory	Yes, with appropriate communications module		Yes, with Opt-in	
Electrical	Circuit requirement	40 Amperes*		40 Amperes**		
	Infrastructure Plug	NEMA 6-50				
	Input power connections	Line 1, Line 2, Earth Ground				
	Recommended branch break	40 Ampere double pole (Siemens: Q240 plug in type, B240 bolt on type)				
Mechanical Safety and Operational	Connector	SAE J1772				
	Standards compliance	UL, SAE J1772, NEC® 625				
	EMC	FCC Part 15 Class B				
	Operating temperature	-30°C to +50°C				
	Storage temperature	-40°C to +60°C				
	Operating humidity	Maximum 95% non-condensing				
	Ground fault detection	5 mA CCID with auto retry				
Electric Vehicles Tested	Vehicles	BMW i3, BMW i8, Ford Focus Electric, Nissan Leaf, Mercedes B Class, Fiat 500e, GM Volt				

Renewable Energy Products

VersiComm Cellular Gateway **NEW**

VersiComm: Cellular Gateway for Wi-Fi Enabled VersiCharge Electric Vehicle Chargers.

All VersiComm devices feature:

- **Cellular Connection:** The Siemens VersiComm device is an all-in-one multiprotocol intelligent node solution for both Wi-Fi and cellular networks. This allows VersiCharge SG units with Wi-Fi to connect to the node and have their data sent to the cloud using 4G LTE cellular data.
- **Scalable:** A single VersiComm allows for up to 25 VersiCharge SG units to connect to it. This future-proofs EV charging investments since extra VersiCharge SG units can be easily added to installations without the need for more cellular modems.
- **Convenient:** VersiComm takes the data from multiple VersiCharge SG units and sends the data to the cloud using one 4GLTE data plan. This allows charging deployment owners to avoid having to keep track of multiple cellular plans at their chosen installation.
- **Robust Construction:** The housing of the VersiComm is rated at NEMA 4 for indoor and outdoor use. The electronics inside the VersiComm unit are rated for an internal operating temperature range of -25°C to +70°C.
- **Easy Installation:** The VersiComm unit comes ready to operate when shipped. Two ordering variants include options for either 120V or 240V installations.
- **Dependable:** Each VersiComm unit meets strict UL and FCC standards to ensure that the unit is built-to-last.



Ordering Variants

Catalog No.	Description	Voltage
VC1COMMA	VersiComm 4G LTE ATT	120V
VC2COMMA	VersiComm 4G LTE ATT	240V
Catalog No.	Data Plan	
VCDATA53	ATT 5GB Data Plan for 3 years	
VCDATA55	ATT 5GB Data Plan for 5 years	
VCDATA103	ATT 10GB Data Plan for 3 years	
VCDATA105	ATT 10GB Data Plan for 5 years	
VCDATA153	ATT 15GB Data Plan for 3 years	
VCDATA155	ATT 15GB Data Plan for 5 years	

Technical information

Attribute	VC1COMMA	VC2COMMA
Input voltage	120VAC	220/240VAC
Wall weight	25 lbs.	25 lbs.
Dimensions	12"W x 16"H x 10"D (not including antenna dimensions)	12"W x 16"H x 10"D (not including antenna dimensions)
Standards Compliance	UL 508, CSA 22.2 No. 107.1	UL 508, CSA 22.2 No. 107.1
Enclosure	NEMA 4	NEMA 4
Plug in installation	No	No
Permanent installation	Yes	Yes
Temperature Range	-25°C to +70°C	-25°C to +70°C
Operating Humidity	5% to 95% relative humidity (non-condensing)	5% to 95% relative humidity (non-condensing)
Network connection	4G LTE	4G LTE
Radio	High Performing 2.4 GHz IEEE 802.11 b/g/n	High Performing 2.4 GHz IEEE 802.11 b/g/n
Compatible Chargers	VCSG30GRYUW, VCSG30GCPUW	VCSG30GRYUW, VCSG30GCPUW

Renewable Energy Products

Siemens Microinverters

Please note: Siemens has discontinued the following products:

- Siemens Microinverter*
- Siemens Microinverter System*
- Microinverter Trunk and Drop Cabling*
- Envoy Microinverter System Components*
- Microinverter Accessories*

* Discontinued (Spare parts available for Warranty purposes)

In 2019, we have started the phase out process and will eventually complete it for all the part numbers.

The following is what to expect during this phase out process.

1. No new orders will be taken on these products effective immediately.
2. Requirements for replacement parts will continue to be supported for product under warranty. The timing of the support is calculated based on existing warranty commitments as well as expected normal product mortality life.

If you have any questions about this announcement or have the need for replacement parts for an existing system, please contact your Siemens sales representative for more information and assistance.