



Single Position Meter Socket



Over-Under Meter Load Center Combinations



Side-by-Side Meter Load Center Combination

contents

Talon Single and Multiple Meter Sockets

General Information	2-2 – 2-4
Single Position Meter Sockets - Residential Types	2-5 – 2-6
Multiple Position Meter Sockets — Residential Types	2-7 – 2-8
Single Position Meter Sockets — Commercial Types	2-9 – 2-10
Special Application Meter Sockets	2-11
Pedestal and Breaker Combination Meter Mounting Equipment	2-12
Temporary Power Outlets	2-13 – 2-21
Transformer-Rated Meter Mounting Equipment	2-22 – 2-24
Accessories	2-25
Knockout Diagrams	2-26 – 2-33

Meter Centers / Combination Meter Sockets

Catalog Number Logic and Introduction	2-34 – 2-35
Surface Mount Meter-Mains	2-36 – 2-37
Surface Mount Meter-Load Center Combo	2-38 – 2-41
EUSERC Meter-Main Breaker	2-42
SOLAR Ready, Surface/Flush Mount, Meter-Load Center Combination	2-43 – 2-45
EUSERC Side-by-Side Meter Load Center Combo	2-46 – 2-47
EUSERC Over/Under Meter Load Center Combo	2-48
EUSERC Commercial Metering	2-49 – 2-50
Accessories and Knockout Diagrams	2-51 – 2-67

Murray Combination Meter Sockets

Catalog Numbering Logic and Introduction	2-69 – 2-70
100A-400A Meter Mains	2-71
150A-200A Over-Under Construction	2-72
100A-400A Meter Load Centers	2-73
125A-400A EUSERC Side-By-Side Construction	2-74
100A-225A EUSERC Meter Load Center	2-75
400A EUSERC Side-By-Side Construction	2-76

Group Metering: NYC Gangable Metering

2-78 – 2-82

Scan to connect online to the most up-to-date version of this Section of SPEEDFAX.





Meter Mounting Equipment

2

METER
CENTERS

Meter Socket



Talon has been the standard for quality and innovation for meter mounting equipment for over half a Century, only under different brand names. The heart of our offering continues to be the HQ lever bypass socket. The basic design of this socket has not changed since its original inception in 1956 making this a solid, time-proven design. We continue to offer the HQ at a competitive price even when faced with lower cost and lower quality competition. The bypass blade for every HQ is rated for 320 amps making every one of our sockets "Heavy Duty".

Our K base products continue to offer the same dependability and cost advantages for "extended range" metering. The residential socket line continues to grow daily as we continuously add or update our products for an ever-changing market.

All Siemens single family sockets are branded as "Talon," a name with much history behind it. The same great quality products you expect from Siemens, only with a different logo

This publication is meant to serve only as a guide to our various meter socket product families, while providing a representation of each product family we have to offer. This catalog only contains a very small percentage of our total offering, and keep in mind that all meter sockets must be approved by your local utility before being installed. Please consult your regional Talon catalog that lists a more tailored offering for your area, along with utility approvals; these catalogs can be found at www.talonmetering.com. Please consult with your utility about the approvals prior to buying and installing a socket.

General Information

Materials:

16 gauge, galvanized steel, G-90

Enclosures:

NEMA 3R

Finish:

Steel - Light gray, baked on powder polyester

Latches:

All swing latches are stainless steel

Block Material:

Glass reinforced polyester

Terminals:

Residential - Tin-plated aluminum extrusions 6061-T6
Commercial - Tin-plated copper and or tin plated aluminum

Accessories:

All hubs, closure plates, and 5th terminals, if included, are factory installed.

Standards:

Products cataloged herein meet or exceed the following standards: UL 486B, UL 414, NEMA 250, ANSI C12.7 UL File #30413

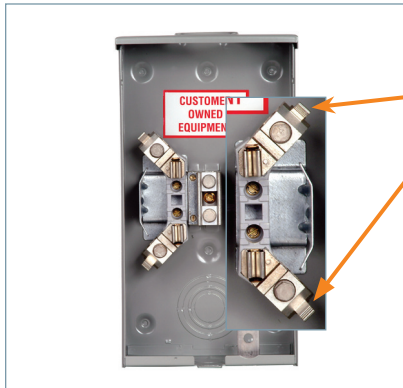
Siemens/Talon meter socket designs have been in the industry for more than 60 years. No one knows metering installations like Siemens. Our meter sockets set the standard for quality, design, & workmanship. This is why we use stainless steel hardware; polyester powder-coat paint for long-lasting protection and appearance; type G90 galvanized steel or 3003 grade aluminum enclosures and, in our commercial sockets, an all-plated copper current path. This is why Siemens meter sockets are seen in so many utility specifications.

Features:

- Residential single position sockets (types UAT) feature a quad neutral as a standard feature.
- Most commercial sockets include a ground lug & some models are available with line & load lugs installed.
- Lever bypass sockets feature the type HQ socket which is recognized by utilities as the industry standard for durability & quality.
- Siemens features one of the most complete and comprehensive Meter socket lines available from any manufacturer.

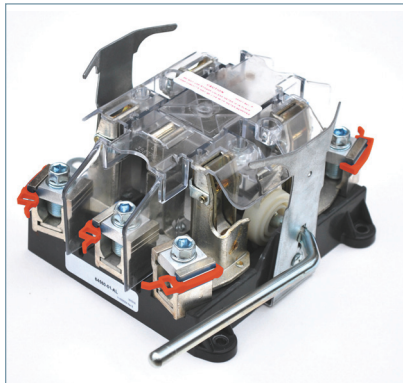


There are several different bypass types used in the meter socket industry. The type of bypass used is dependent upon each individual utilities' requirements for that application. The illustrations and photos below will explain some of the basic bypass types seen in section 2 of the Siemens' Speedfax. This page is meant for informative purposes only and is not meant to imply or convey the use of any particular bypass or inter-changing of any types of bypass for any application. The local utility should always be contacted to ensure approval of equipment prior to installation. The types of bypasses listed below are for utility use only.



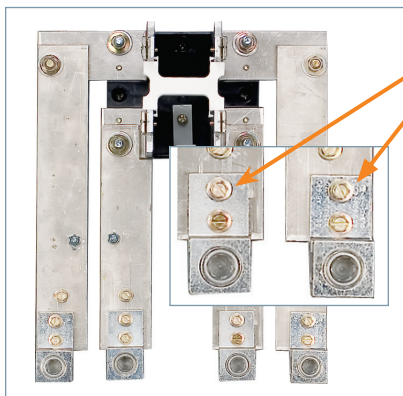
Horn Bypass:

Small tabs or "horns" on the line and load side of the meter socket act as electrical connection points for the utility to install a bypassing means- usually a specially produced wire or "jumper" designed for this specific application.



Lever Bypass:

A lever is used to rotate a plated copper blade between the line and load jaws. The lever bypass HQ socket also clamps on the meter when the bypass is dis-engaged. The bypass must be engaged to remove the meter then dis-engaged after the meter is installed. The bypass acts as an alternate path for current flow which helps to mitigate any arcing if the meter is being removed. This also ensures a constant current flow should the meter need to be removed.



Test Block Bypass:

Test Block Bypass sockets (TBB) have the line and load connectors mounted parallel to one another. This provides for a provision to bypass the meter by placing a jumper on the line and load bus. Note that this type of bypass is used primarily by those utilities subscribing to the EUSERC metering standards.

Single Position Meter Sockets—Residential Types[Ⓞ]



135 Amp Continuous Meter Mounting Equipment, Ringless, 1-Phase, 3-Wire 600V 1 Position

Catalog Number [Ⓣ]	Dimensions (inches)			Cont. Amps	Service	Lugs	No. of Jaws	5th Jaw	Hub Provision	KO Fig.
	H	W	D							
HORN BYPASS										
UAT111-0PDN [Ⓞ]	11.7	8.0	3.7	135	OH/UG	#14-2/0	4	EC659-0121	RX Opening	1A
UAT111-0PGP [Ⓣ]										
UAT111-0PQG										
UAT111-0PZA [Ⓛ]										
UAT111-0PV										
								Installed		

NO BYPASS										
UAT111-0G	11.7	8.0	3.7	135	OH/UG	#14-2/0	4	EC659-0121	RX Opening	1A
UAT111-0GF [Ⓣ]										
UAT111-0JCA										
UAT111-0MXA [Ⓛ]										
UAT111-PG										
					UG		5	Installed		
							4	EC659-0121	None	1B

135 Amp Continuous Meter Mounting Equipment, Ring Type, 1-Phase, 3-Wire 600V 1 Position

Catalog Number [Ⓣ]	Dimensions (inches)			Cont. Amps	Service	Lugs	No. of Jaws	5th Jaw	Hub Provision	KO Fig.
	H	W	D							
NO BYPASS										
UAT121-0BCO [Ⓞ]	11.7	8.0	3.7	135	OH/UG	#14-2/0	5	Installed	RX Opening	1A
UAT121-0GWR [Ⓞ]										
UAT121-BBCO [Ⓞ]										
UAT121-BGWR [Ⓞ]										
UAT121-BM										
UAT121-PBCO [Ⓞ]										
UAT121-PGWR [Ⓞ]										
					OH		4	EC659-0121	EC38597 Inst.	
					UG		5	Installed		
							5	Installed	None	1B
							4	EC659-0121		

Contact utility or sales office for approval by your local utility prior to installation.
[Ⓛ] 7/16" Barrel lock knockout

[Ⓞ] 7/8" Barrel lock knockout
[Ⓣ] Stainless Steel latch and hasp
[Ⓛ] Labeled for use on Duquense Light Company

[Ⓞ] Sealing ring included
[Ⓞ] All devices include a quad ground
[Ⓣ] Add prefix "S" to catalog number for retail or single packed version

Single Position Meter Sockets—Residential Types ④



200 Amp Continuous/250 Amp Max Meter Mounting Equipment, Ringless, 1-Phase, 3-Wire 600V 1 Position

Catalog Number ^②	Dimensions (inches)			Cont. Amps	Service	Lugs	No. of Jaws	5th Jaw	Hub Provision	KO Fig.		
	H	W	D									
HORN BYPASS												
UAT317-0FP ^②	14.8	8.0	4.5	200	OH	#6-350	5	Installed	RX Opening	2		
UAT317-0PDN							4					
UAT317-0PGP ^②												
UAT317-0PQG												
UAT317-0PZA ^①												
UAT417-0PQG	14.8	11.4	4.5	200	OH/UG	#6-350	4	EC659-0121	RX Opening	3A		
UAT417-XFP ^②							5	Installed	RX CL. Plate			
UAT417-XPCV ^⑤									4		EC659-0121	RX CL. Plate
UAT417-XPQG												
UAS817-PPGP ^②	14.0	13.0	5.2	200	UG-SW	#6-350	4	EC659-0121	None	8		
UAS877-PPCV ^⑤												
UAS877-PPDN ^⑦												
UAS877-PPGP ^②												
UAS877-PPZ												
UAS877-PPZA ^①										6A		

NO BYPASS												
UAT317-0G	14.8	8.0	4.5	200	OH	#6-350	4	EC659-0121	RX Opening	2		
UAT317-0GF ^③							4	EC659-0121				
UAT317-0MXA ^①											5	Installed
UAT317-DGZ											4	EC659-0121
UAT417-PG	14.8	11.4	4.5	200	UG	#6-350	4	EC659-0121	None	3B		
UAT417-XG					OH/UG	#6-350	4	EC659-0121	RX CL. Plate	3A		
UAT417-XGDU												
UAT417-XGF ^③												
UAT517-PDG ^①	18.0	13.0	5.2	200	UG	#6-350	4	EC659-0121	None	3B		
UAT618-XGNM ^⑧	22.0	11.4	4.5		OH/UG				RX CL. Plate	3A		
UAS818-PGNM ^⑧	14.0	13.0	5.2		UG-SW				None	8		
UAS877-PG					None				6A			
UAS917-XJCA	17.0	13.0	5.2	OH/UG-SW	RX CL. Plate	7						

200 Amp Continuous/250 Amp Max Meter Mounting Equipment, Ring Type, 1-Phase, 3-Wire 600V 1 Position

Catalog Number ^②	Dimensions (inches)			Cont. Amps	Service	Lugs	No. of Jaws	5th Jaw	Hub Provision	KO Fig.
	H	W	D							
NO BYPASS										
UAT327-0GWR ^②	14.8	8.0	4.5	200	OH	#6-350	4	EC659-0121	RX Opening	2
UAT327-0MCO ^②							5	Installed		
UAT427-PMCO ^②	14.8	11.4	4.5	200	UG	#6-350	5	Installed	None	3B
UAT427-XMWR ^②					OH/UG		4	EC659-0121	RX CL. Plate	3A

Contact utility or sales office for approval by your local utility prior to installation.
 ① 7/16" Barrel lock knockout
 ② 7/8" Barrel lock knockout

③ Stainless Steel latch and hasp
 ④ All devices include a ground lug
 ⑤ Labeled for use on Delmarva Power and Atlantic City Electric
 ⑥ Sealing ring included

⑦ Labeled for use on Duquesne Light Company
 ⑧ Line side studs
 ⑨ Add prefix "S" to catalog number for retail or single packed version

Single & Multiple Position Meter Sockets—Residential Types



100 Amp/Position Meter Mounting Equipment, Ringless, 1-Phase, 3-Wire 300V Multi-Position[®]

Catalog Number [®]	Dimensions (inches)			Bus Amps	Cont. Amps	Service	No. of Pos.	No. of Jaws	5th Jaw	Hub Provision	KO Fig.	Line Lugs	Load Lugs
	H	W	D										
HORN BYPASS													
UA2311-OPGP ^{②④}	12.4	24.0	4.5	100	100	OH/UG	2	4	EC659-0121	RX Opening	16A	#6-350 KCMIL	#14-2/0
UA2311-0PQG ^⑤											16B		
UA3311-OPGP ^{②④}	12.4	32.0	4.5	135	100	OH/UG	3	4	EC659-0121	RX Opening	17A	#6-350 KCMIL	#14-2/0
UA3311-0PQG ^⑤											17B		
UA4311-OPGP ^{②④}	12.4	40.0	4.5	180	100	OH/UG	4	4	EC659-0121	RX Opening	18A	#6-350 KCMIL	#14-2/0
UA4311-0PQG ^⑤											18B		

200 Amp/Position Meter Mounting Equipment, Ringless, 1-Phase, 3-Wire 300V Multi-Position[®]

HORN BYPASS													
UA2717-YPDN ^{④⑩}	13.9	24.0	5.2	200	200	OH/UG	2	4	EC659-0121	HD Opening	19A	#1/0-600 KCMIL	#6-350 KCMIL
UA2717-YPGP ^{②④}								5	Installed	HD CL. Plate			
UA2717-YPGG ^⑤								4	EC659-0121	HD Opening			
UA2717-YPZA ^{①④}	13.9	32.0	5.2	270	200	OH/UG	3	4	EC659-0121	HD Opening	20A	#1/0-600 KCMIL	#6-350 KCMIL
UA3717-YPDN ^{④⑩}								5	Installed	HD CL. Plate			
UA3717-YPZA ^{①④}								4	EC659-0121	HD Opening			
UA4719-YPDN ^{④⑩}	13.9	43.4	5.2	360	200	OH/UG	4	4	EC659-0121	HD Opening	21A	(2)#1/0-600 KCMIL	#6-350 KCMIL
UA4719-YPGP ^{②④}								5	Installed	HD CL. Plate			
UA4719-YPGG ^{①⑤}								4	EC659-0121	HD Opening			
UA4719-YPZA ^④								4	EC659-0121	HD Opening			
UA5719-KPGP ^{②④}	13.9	51.4	5.2	450	200	OH/UG	5	4	EC659-0121	2-HD Opening	22	(2)#1/0-600 KCMIL	#6-350 KCMIL
UA5719-KPDN ^{④⑩}										2-HD Opening			
UA6719-KPQG ^⑤	13.9	59.4	5.2	528	200	OH/UG	6	4	EC659-0121	2-HD Opening	23	(2)#1/0-600 KCMIL	#6-350 KCMIL
UA6719-KPZA ^{①④}										2-HD Opening			

100/80 Amp/Position Meter Mounting Equipment, Ring Type, 1-Phase, 3-Wire 300V Multi-Position

Catalog Number	Dimensions (inches)			Bus Amps	Cont. Amps	Service	No. of Pos.	No. of Jaws	5th Jaw	Hub Provision	KO Fig.	Line Lugs	Load Lugs
	H	W	D										
NO BYPASS													
WSC150C ^⑦	11.3	15.3	3.8	—	80	OH/UG	1	5	Installed	1.25" KO in Top	24	#6-4/0	#8-2/0
WSC250C ^⑦		30.5									25		
WSC350C ^⑦		45.5									26		
WSN251CR ^{⑥⑨}	15.5	19.6	4.1	200	100	OH/UG	2	5	Installed	RX CL. Plate	30	#6-250 KCMIL	#8-2/0
WSN351CR ^{⑥⑨}		29.6									31		
WSN451CR ^{⑥⑨}		39.6									32		

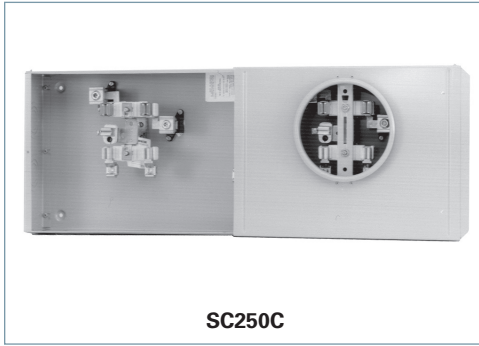
Contact utility or sales office for approval by your local utility prior to installation.
^① 7/16" Barrel lock knockout
^② 7/8" Barrel lock knockout
^③ Stainless Steel latch and hasp

^④ Ground lug included
^⑤ 2 Ground lugs included
^⑥ Sealing ring included
^⑦ Unit is unbusbed and indoor
^⑧ Center feed

^⑨ End feed
^⑩ Labeled for use on Duquesne Light Company
^⑪ Add prefix "S" to catalog number for retail or single packed version

Murray Branded Multiple Position Ring Type

METER CENTERS 2



80 Amp/Position Meter Mounting Equipment 1 Phase, 3 Wire, 300V Multi-Position Residential End Feed

Catalog Number	Dimensions (inches)			Bus Amps	Cont. Amps	Service	No. of Pos.	No. of Jaws	5th Jaw	Hub	Line Lugs	Load Lugs	KO Fig.
	H	W	D										
SC150C [Ⓞ]		15.3					1						24
SC250C [Ⓞ]	11.3	30.5	3.9	n/a	80	OH/UG	2	5	Installed	1.25" KO Top	#6-4/0	#8-2/0	25
SC350C [Ⓞ]		45.6					3						26

100 Amp/Position Meter Mounting Equipment 1 Phase, 3 Wire, 300V Multi-Position Residential End Feed

Catalog Number	Dimensions (inches)			Bus Amps	Cont. Amps	Service	No. of Pos.	No. of Jaws	5th Jaw	Hub	Line Lugs	Load Lugs	KO Fig.
	H	W	D										
NO BYPASS													
SN211AR		27.6					2						27
SN311AR	14.1	35.8	5.3	200	100	OH/UG	3	4	EC659-0121	RX Opening	#6-250	#8-2/0	28
SN411AR		44.0					4						29
SN251CR		19.6					2						30
SN351CR	15.5	29.6	4.1	200	100	OH	3	5	Installed	RX CL. Plate	#6-250	#8-2/0	31
SN451CR		39.6					4						32

100 Amp/Position Meter Mounting Equipment 1 Phase, 3 Wire, 300V Multi-Position Vertical Mounting

Catalog Number	Dimensions (inches)			Bus Amps	Cont. Amps	Service	No. of Pos.	No. of Jaws	5th Jaw	Hub	Line Lugs	Load Lugs	KO Fig.
	H	W	D										
NO BYPASS													
SN205CX	25.6	8.0	4.4	200	100	OH	2	5	Installed	RX Opening	#8-350	#8-2/0	44
SN305CX	35.9	8.0	4.4	200	100	OH	3	5	Installed	RX Opening	#8-350	#8-2/0	45

200 Amp/Position Meter Mounting Equipment 1 Phase, 3 Wire, 300V Multi-Position Residential Center Feed

Catalog Number	Dimensions (inches)			Bus Amps	Cont. Amps	Service	No. of Pos.	No. of Jaws	5th Jaw	Hub	Line Lugs	Load Lugs	KO Fig.
	H	W	D										
SS251CR		28.0		200			2						19B
SS351CR	14.1	38.0	5.4	270	200	OH/UG	3	5	Installed	HD Opening	#1/0-500	#8-250 KCMIL	20B
SS451CR		48.0		360			4						21B

Contact utility or sales office for approval by your local utility prior to installation.

ⓄUnit is unbussed, indoor, and gangable.

Single Position Meter Sockets—Commercial/Industrial Types®



200 Amp Continuous Meter Mounting Equipment, Ringless, Lever Bypass, 1-Phase, 3-Wire 600V

Catalog Number®	Dimensions (inches)			Cont. Amps	Service	Lugs	No. of Jaws	Hub Provision	KO Fig.
	H	W	D						
4 OR 5 TERMINAL									
40404-02QG ^⑤	19.0	12.8	5.0	200	OH/UG	#6-350 KCMIL	4	RX CL. PLATE	9A
40405-02QG ^{⑤⑥}							5	RX CL. PLATE	9A
40405-015F ^{③④⑥}									
40405-025 ^④									
40405-02CO ^{②④⑦}									
40405-02GP ^②	5	RX OPENING	9A						
40405-0BNU ^{①⑦}	19.0	12.8	5.0	200	OH/UG	#6-350 KCMIL	5	RX CL. PLATE	9A
42505-02RG ^{④⑥}	19.0	12.8	5.0	200	OH/UG	#6-350 KCMIL	5	HD CL. PLATE	9B
44305-02CV ^{⑦⑧}								RX CL. PLATE	6B
48805-0BNU ^{①③⑦}	22.0	16.0	5.0	200	OH/UG	#6-350 KCMIL	5	RX CL. PLATE	6B

200 Amp Continuous Meter Mounting Equipment, Ringless, Lever Bypass, 3-Phase, 4-Wire 600V

Catalog Number®	Dimensions (inches)			Cont. Amps	Service	Lugs	No. of Jaws	Hub Provision	KO Fig.
	H	W	D						
7 TERMINAL									
40007-01GP ^{②④}	17.5	10.0	5.0	200	OH	#6-350 KCMIL	7	RX OPENING	10
40407-02QG ^⑤	19.0	12.8	5.0	200	OH/UG	#6-350 KCMIL	7	RX CL. PLATE	9A
40407-025									
40407-015F ^{②③④}									
40407-02CO ^{②③}									
40407-02GP ^②	19.0	12.8	5.0	200	OH/UG	#6-350 KCMIL	7	RX OPENING	9A
40407-01NU ^{①④}								HD CL. PLATE	9B
44307-02CV ^⑧	22.0	16.0	5.0	200	OH/UG	#6-350 KCMIL	7	RX CL. PLATE	6B
48807-02NU ^{①④}	20.0	16.1							UG-SW
9804-9142 ^{②④}									

Contact utility or sales office for approval by your local utility prior to installation.
^① 7/16" Barrel lock knockout
^② 7/8" Barrel lock knockout
^③ Stainless Steel latch and hasp

^④ Ground lug included
^⑤ 2 Ground lugs included
^⑥ 5th jaw installed at 6:00 position
^⑦ 5th jaw installed at 9:00 position
^⑧ Labeled for use on Delmarva Power and Atlantic City Electric

^⑨ Murray brand labeled device
^⑩ Clamp jaw lever bypass type HQ
^⑪ Add prefix "S" to catalog number for retail or single packed version

Single Position Meter Sockets—Commercial/Industrial Types



320 Amp Continuous/400 Amp Max Meter Mounting Equipment, Ringless, Lever Bypass, 1-Phase, 3-Wire 600V^④

Catalog Number ^②	Dimensions (inches)			Cont. Amps	Service	Lugs	No. of Jaws	Hub Provision	KO Fig.
	H	W	D						
4 OR 5 TERMINAL									
44704-8265 ^{②⑦}	34.0	20.2	6.2	320	OH/UG-SW	#4-600	4	HD CL. PLATE	11A
47604-81GP ^②	28.0	12.8	5.0	320	OH/UG	#4-600	4	HD OPENING	12
47605-02SP ^{②⑧}						3/8-24 STUD	5	HD CL. PLATE	
47704-01NU ^{①⑥⑧}	28.0	13.8	6.0	320	OH/UG	1/2-20 STUD	4	HD OPENING	13
47704-02 ^⑥							4	HD CL. PLATE	
47705-01NU ^{①⑥⑧}							5	HD OPENING	
48104-02 ^⑥	31.0	16.2	5.0	320	OH/UG-SW	3/8-24 STUD	4	HD CL. PLATE	14
48105-83BU ^{②⑧}						#4-600	5		
48504-92 ^⑥	28.0	12.8	5.0	320	UG	3/8-24 STUD	4	NONE	35
48704-82GP ^②	34.0	20.2	6.2		OH/UG-SW	#4-600		4	HD CL. PLATE
9804-9144 ^{①⑥}	25.0	16.0	6.0	320	OH/UG	3/8-24 STUD	4	HD OPENING	13
9804-9146 ^{①⑥}	34.0	20.2	6.2						11C

320 Amp Continuous/400 Amp Max Meter Mounting Equipment, Ringless, Lever Bypass, 3-Phase, 4-Wire 600V^④

Catalog Number ^②	Dimensions (inches)			Cont. Amps	Service	Lugs	No. of Jaws	Hub Provision	KO Fig.
	H	W	D						
7 TERMINAL									
47707-01NU ^{①⑥}	28.0	13.8	6.0	320	OH/UG	1/2-20 STUD	7	HD OPENING	13
47707-02 ^⑥						3/8-24 STUD		HD CL. PLATE	
48707-82GP ^②	34.0	20.2	6.2	320	OH/UG-SW	#4-600	7	HD CL. PLATE	11B
9804-9145 ^{①⑥}	25.0	16.0	6.0	320	OH/UG	3/8-24 STUD	7	HD OPENING	13
9804-9147 ^{①⑥}	34.0	20.2	6.2					HD CL. PLATE	11C

400 Amp Continuous/400-480 Amp Max Meter Mounting Equipment, K7 Bolt-in, No Bypass, 3-Phase, 4-Wire 600V

Catalog Number ^②	Dimensions (inches)			Cont. Amps	Service	Lugs	No. of Jaws	Hub Provision	KO Fig.
	H	W	D						
7 TERMINAL									
9817-8061 ^{③④⑤⑥}	34.0	20.0	6.2	400	UG	1/2-20 Stud	7	HD CL. PLATE	15
9817-9504	43.1	20.0	6.2	480	OH/UG			(2) HD CL. Plate	15

Contact utility or sales office for approval by your local utility prior to installation.
 ⑦ 7/16" Barrel lock knockout
 ⑧ 7/8" Barrel lock knockout

③ Stainless Steel latch and hasp
 ④ Ground lug included
 ⑤ Bolt-in meter socket
 ⑥ Lugs not included, order separately

⑦ Anti-inversion clip included
 ⑧ 5th Jaw installed at 9:00
 ⑨ Add prefix "S" to catalog number for retail or single packed version



100-320 Amp Continuous EUSERC-Approved Meter Mounting Equipment, Ring Type, Test Block Bypass, 1-Phase & 3-Phase

Catalog Number	Dimensions (inches)			Cont. Amps	Service	Lugs	No. of Jaws	5th Jaw	Hub Provision	KO Fig.
	H	W	D							
MS14TB	24.1	12.4	4.8	100	1-Ph/3-Wire	#6-2/0	4	EC5J	RX	39
MS15TB					3-Ph/3-Wire	#6-2/0	5	Installed		
MS17TB					3-Ph/4-Wire	#6-2/0	7	—		
MS24TB	30.1	14.1	6.1	200	1-Ph/3-Wire	#1/0-250 lay-in	4	UX005B	(2x) RX-top (1x) HD-bot.	40
MS25TB					3-Ph/3-Wire	#1/0-250 lay-in	5	Installed	(2x) RX-top (3x) HC-bot.	41
MS27TB					3-Ph/4-Wire	#1/0-250 lay-in	7	—	(2x) RX-top (1x) HD-bot.	40
MS44UTB	34.5	15.4	6.3	320	1-Ph/3-Wire	(2)#1/0-250 or (1)#4-600	4	—	—	44

200 Amp Mobile Home Meter Pedestal Pad or Earth Mount, Ring or Ringless Design, 4 Jaw for 1 Phase 240V AC

Continuous Duty Amps Per Position	Catalog Number	Cover Type	Line Connectors (installed)	Dimensions		
				H	W	D
200	MP0406B1200R	Ringless	(2) #6-350 kcmil	55.00	10.00	4.00
	MP0606L1200R	Ringless	(2) #6-350 kcmil	55.00	10.00	4.00
	MP0606L1200	Ring	(2) #6-350 kcmil	55.00	10.00	4.00

200 Amp Mobile Home Lever Bypass Meter Pedestal Pad or Earth Mount, Ringless, 5 Jaw for 1 Phase, 240V AC

200	MP0406B1200RJL	Ringless	(2) #6-350 kcmil	55.00	10.00	4.00
200	MP0606L1200RJL	Ringless	(2) #6-350 kcmil	55.00	10.00	4.00

Breakers: Units will accept up to (3) 2 pole breakers or (6) 1 pole breakers - Siemens type QP or Murray type MP for up to 125amps and Siemens type QN for 200amp.

Filler Plates: Un-used openings that have had the factory twist-outs removed can use part the ECQF3 filler plate.

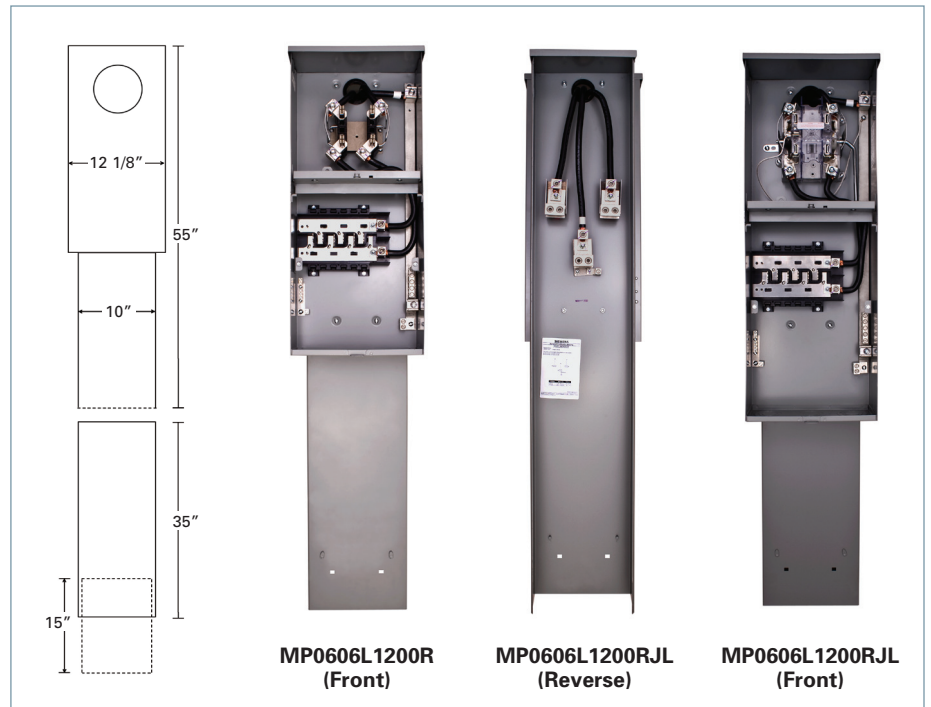
Required Accessories:

Direct Burial Kit: Use catalog number MPEXT. This lengthens the device to 84", 90", or 96" depending on adjustment of the stabilizer foot.

Pad Mount Kit: Use catalog number MPFLANGE. This kit bolts to the bottom of the MPEXT and will add 11" in length.

MP0606: accomodates (3) 2 pole breakers or (6) 1 pole breakers types Siemens QP/Murray MP-T (125amp max) and types Siemens QN/Murray MPD (150-200amp)

MP0406: Siemens type QN 200amp breaker factory installed. Additional space for 4 one pole or 2 two pole breakers types Siemens QP/Murray MP-T. Branch circuits run in parallel to 200amp main breaker



Contact utility or sales office for approval by your local utility prior to installation.

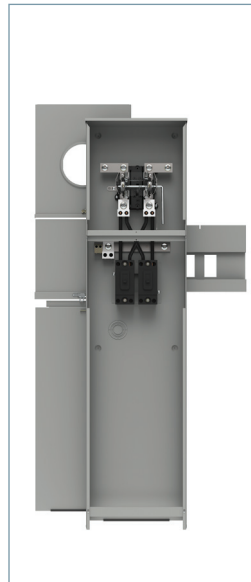
200/320A 4-7 Terminal Pedestal And Breaker Combination Meter Mounting Equipment

METER CENTERS

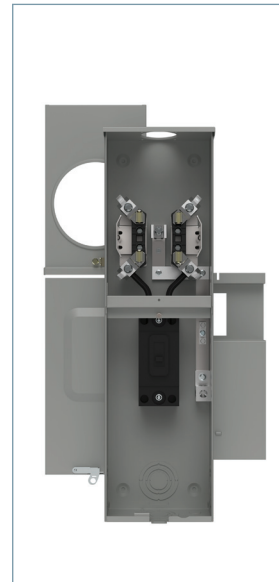
Meter Socket

Common Features

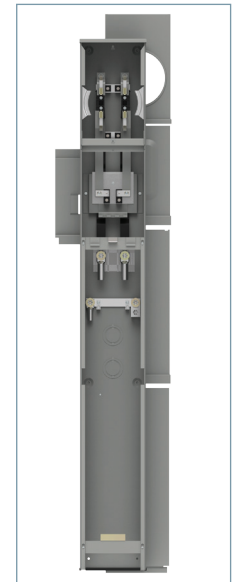
- 200A and 320A continuous duty models available
- Factory installed lugs or studs
- Ground lug on all devices
- Horn or lever bypass (uses HQ lever bypass)
- Extension kits available for pedestals
- Breaker devices with provisions or installed breaker
- Pole mount units with breakers available
- Direct burial or pad mount capability



47604-9CH



UAB317-0PCH



UAPB317-PPCH

Pedestal

Cont. Amps Pos.	No. of Term.	Svc.	Terminal Connector		Bypass	Dimensions (inches)			Hub Opening	5th Jaw Kit No.	Breaker	Breaker Type	Catalog Number
			Line	Load		W	H	D					
200	4	UG	#6-350 kcmil	#6-350 kcmil	Horn	8.0	64.5	4.5	Blank Top	H659-0121	None	N/A	UAP317-PPWI ^②
200	4	UG	4/0-comp. lug	See Breaker	Horn	8.0	64.5	4.5	Blank Top	H659-0121	200A-prov.	QPP	UAPB317-PPWI ^②
200	5	UG	#6-350 kcmil	#6-350 kcmil	Lever	11.0	56.0	6.0	Blank Top	N/A	None	N/A	40405P-9WI ^②
200	7	UG	#6-350 kcmil	#6-350 kcmil	Lever	11.0	56.0	6.0	Blank Top	N/A	None	N/A	40407P-9CH ^②
200	7	UG	#6-350 kcmil	#6-350 kcmil	Lever	11.0	56.0	6.0	Blank Top	N/A	None	N/A	40407P-9UE ^②
200	7	UG	(2) #4-350 kcmil	(2) #4-350 kcmil	Lever	11.0	56.0	6.0	Blank Top	N/A	None	N/A	40407P-9WI ^②
320	4	UG	3/8"-24 Stud	(2) #4-350 kcmil	Lever	13.0	56.0	5.0	Blank Top	H35815-2	None	N/A	47604P-9CH ^②
320	4	UG	1/0-600 kcmil	#6-350 kcmil	Lever	13.0	56.0	5.0	Blank Top	H35815-2	None	N/A	47604P-9WI ^②
320	4	UG	3/8"-24 Stud	#6-350 kcmil	Lever	13.0	56.0	5.0	Blank Top	H35815-2	(2) 200A-inst.	QJ	47604PB-9CH ^②

Combo

Cont. Amps Pos.	No. of Term.	Svc.	Terminal Connector		Bypass	Dimensions (inches)			Hub Opening	5th Jaw Kit No.	Breaker	Breaker Type	Catalog Number
			Line	Load		W	H	D					
200	4	OH	#14-2/0	See Breaker	Horn	8.0	28.5	4.5	RX Opening	H659-0121	125A-prov.	QP	UAB111-0PCH ^①
200	4	OH	#6-350 kcmil	#6-300 kcmil	Horn	8.0	28.5	4.5	RX Opening	H659-0121	200A-inst.	QJ	UAB317-0PCH ^①
200	4	OH/UG	(2) 1/0-600 kcmil	#6-350 kcmil	None	11.3	28.5	4.3	RX Cl. Plate	H659-0121	200A-inst.	QJ	UAB417-XG ^②
125	5	OH/UG	#6-250 kcmil	#2-1/0 CU, 2/0 AL	Horn	18.5	17.0	5.1	RX Cl. Plate	Installed	125A inst.	QN	LGMM0202B1125RJXB ^②
150	5	OH/UG	#6-250 kcmil	#1-300 KCMIL	Horn	18.5	17.0	5.1	RX Cl. Plate	Installed	150A inst.	QN	LGMM0202B1150RJXB ^②
200	5	OH/UG	#6-250 kcmil	#1-300 KCMIL	Horn	18.5	17.0	5.1	RX Cl. Plate	Installed	200A inst.	QN	LGMM0202B1200RJXB ^②
125	4	OH/UG	#14-2/0	See Breaker	None	10.9	20.8	4.4	RX Cl. Plate	H659-0121		QP	UAB111-XG ^②
100	4	OH/UG	#14-2/0	See Breaker	None	10.9	20.8	4.4	RX Cl. Plate	H659-0121		QP	UAB111-100 ^②
125	4	OH/UG	#14-2/0	See Breaker	None	10.9	20.8	4.4	RX Cl. Plate	H659-0121		QP	UAB111-125 ^②
200	4	OH/UG	#6-350 kcmil	See Breaker	None	11.6	27.8	5.2	RX Cl. Plate	H659-0121		QN/QP	UAB417-XPG ^②
150	4	OH/UG	#6-350 kcmil	See Breaker	None	11.6	27.8	5.2	RX Cl. Plate	H659-0121		QN	UAB417-150 ^②
200	4	OH/UG	#6-350 kcmil	See Breaker	None	11.6	27.8	5.2	RX Cl. Plate	H659-0121		QN	UAB417-200 ^②
200	4	UG	#6-350 kcmil	See Breaker	None	13.2	25.2	5.2	Blank Top	H659-0121		QN	UAB877-PG ^②
200	4	UG	#6-350 kcmil	See Breaker	None	13.2	25.2	5.2	Blank Top	H659-0121		QN	UAB877-200 ^②

① Ring style cover.
 ② Ringless style cover.

Contact utility or sales office for approval by your local utility prior to installation.



Surface

- Unmetered
- Ring Type Metered (Meter at top or bottom)
- Ringless Metered (Meter at top or bottom)
- Lighted



Earth Mount Pedestals

- Unmetered
- Ring Type (Metered)
- Ringless Type (Metered)
- Lighted with photocell option



Pad Mount Pedestals

- Unmetered
- Ring Type (Metered)
- Ringless Type (Metered)
- Lighted with photocell option



Back to Back Earth Mount Pedestals

- Unmetered
- Ring Type (Metered)
- Ringless Type (Metered)
- Lighted with photocell option



Back to Back Pad Mount Pedestals

- Unmetered
- Ring Type (Metered)
- Ringless Type (Metered)
- Lighted with photocell option

Additional Accessories

- Cable television & Phone connection
- Water Connection

Temporary Power Outlet Panels

Product Features

METER CENTERS

Meter Socket

Enclosures

- 1 Rainproof**
Rainproof NEMA Type 3R construction.
- 2 Quality Finish**
All sheet metal components are powder coated with the highest quality finish and fabricated with G90 galvanized steel.
- 3 Installation Ease**
Three raised mounting embosses make installation a snap.
- 4 Removable Deadfronts**
Easily removable upper and lower deadfronts allow easy access to internal components for ease of installation.
- 5 Theft Resistant**
The padlock provisions and elevated upper deadfront design prevent unauthorized removal of the plugs or access to the circuit breakers.
- 6 Meters Top or Bottom**
Metered units are available with meters at the top or bottom.
 - Ring and ringless type meter covers available.
 - Utility grade, meter socket base.
 - Units with meter at bottom are ideally suited for underground feeds.
 - Meter sockets available to 125 amps maximum.
- 7 Easy Access Door**
Door allows additional room for plugs and is designed to open & close easily
- 8 Overhead/Underground Feeds**
Surface devices have provisions for overhead and underground feeds.
 - For an overhead feed, use a readily available Type RX interchangeable hub. Closure plate is factory included.
 - For an underground feed, an extensive variety of easily removable knockouts are provided.
- 9 Light Option**
Lighted option to assist with nighttime site location and operation. Light provisions are the longest lasting and have the lowest operating cost in the industry. Light can be wired in conjunction with a 120V photocell to minimize energy use.

Pedestals

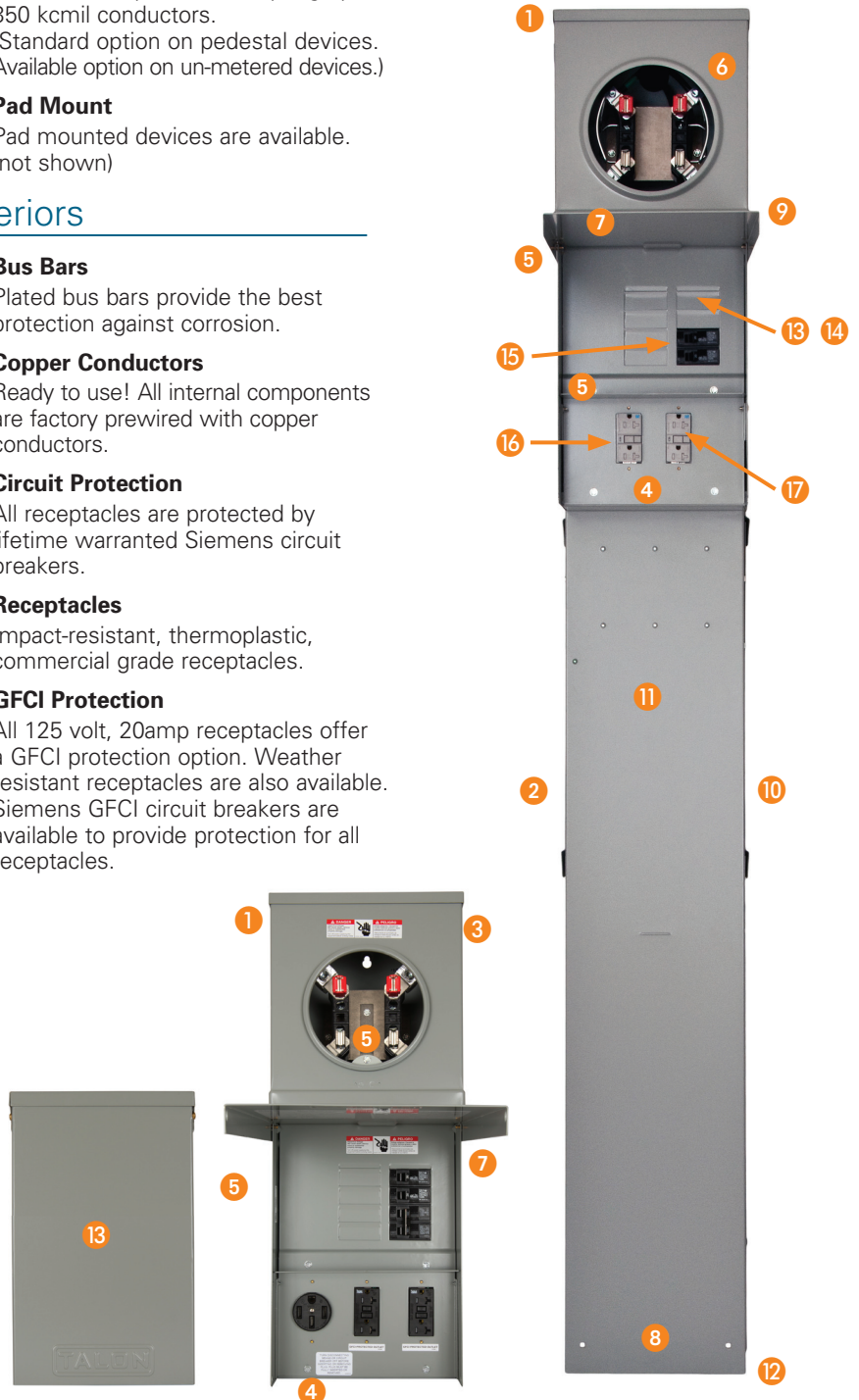
- 10 One-Piece Construction**
Rigid, one-piece pedestal construction for all earth and pad mounted devices. Thoroughly tested for torsion and flexing resistance.
- 11 Block Assembly**
Loop-feed block assembly provides connectors capable of accepting up to 350 kcmil conductors. (Standard option on pedestal devices. Available option on un-metered devices.)
- 12 Pad Mount**
Pad mounted devices are available. (not shown)

Interiors

- 13 Bus Bars**
Plated bus bars provide the best protection against corrosion.
- 14 Copper Conductors**
Ready to use! All internal components are factory prewired with copper conductors.
- 15 Circuit Protection**
All receptacles are protected by lifetime warranted Siemens circuit breakers.
- 16 Receptacles**
Impact-resistant, thermoplastic, commercial grade receptacles.
- 17 GFCI Protection**
All 125 volt, 20amp receptacles offer a GFCI protection option. Weather resistant receptacles are also available. Siemens GFCI circuit breakers are available to provide protection for all receptacles.

Interiors (continued)

- 18 Wire Connectors**
All wire connectors are suitable for use with copper or aluminum wire. (not shown)



Temporary Power Outlet Panels

Build Your Own Catalog Numbering System

T ^①

Talon Temporary Power

Main Type	
L	Main Lugs, 125A
D	Main Breaker, 100A

① ② ③

Receptacles (3 max)			
1		14-50R	125/250V 50A
1F		Designates GFCI Circuit Breaker Protection	
2		14-30R	125/250V 30A
2F		Designates GFCI Circuit Breaker Protection	
3		TT30R	125V 30A
3F		Designates GFCI Circuit Breaker Protection	
4		L6-30R	250V 30A
4F		Designates GFCI Circuit Breaker Protection	
5		6-20R	250V 20A
5F		Designates GFCI Circuit Breaker Protection	
6		L5-20R	125V 20A
6F		Designates GFCI Circuit Breaker Protection	
7		5-20R2GFI	125V 20A
8G		5-20R2	125V 20A
		Designates weather resistant receptacle with GFCI Circuit Breaker Protection	
9		L-530R	125V 30A
9F		Designates GFCI Circuit Breaker Protection	

①

Meter/Bypass	
U	Unmetered
R	Ringless, No Bypass
N	Ring, No Bypass
L	Ringless, Lever Bypass
H	Ringless, Horn Bypass

① ⑤

Enclosure Type	
S	Surface mount, un-metered
S2 ^②	Surface mount, un-metered, loop feed lugs
T	surface mount, top feed-metered
B	surface mount, bottom feed-metered
P	Direct burial pedestal
M	Pad mount pedestal
2P	Direct burial pedestal, double-sided
2M	Pad mount pedestal, double sided
RC	MEG Approved Surface Mount

⑦

Custom Options	
L ^④	Light kit factory installed
LP ^⑥	Light kit with photocell factory installed
X ^⑧	Alternate receptacle configuration on double-sided pedestal
Cx	Custom color configuration

① Required fields.

② A minimum of 1 receptacle must be selected. A maximum of 3 receptacles, with up to 125amps total, may be selected. UL does not allow field installation of receptacle kits.

③ Two receptacle devices ship in a 7" wide enclosure and are wired with a 3 circuit interior. Depending on the receptacle configuration selected an additional circuit may or may not be available

④ Enclosure includes same loop feed lugs as the pedestal devices. Enclosure is larger. Please see knockout diagrams for details.

⑤ Dash is only present if one of the options listed after the dash is needed.

⑥ Light kits are installed by the factory and require either a 120V GFCI breaker or 5-20R2GFI receptacle to power the light fixture.

⑦ Cable TV, phone, & water accessories are purchased separately and are not configured as part of the device.

⑧ Photocell is factory wired and is mounted internally. 120V AC photocell only.

⑨ "X" designates alternate receptacle configuration on each side. Contact sales office for pricing.

Custom Color Guidelines:

- "Cx" designates custom color. Contact sales office for color code to insert into part number to replace the "x" in this designation.
- Additional charges apply and depend on the color needed.
- Custom color matching available: Customer must signoff on painted sample prior to production of order.
- Order cancellations will involve a fee after custom paint is ordered.

Example: Catalog Number: TL1F37NT-LP

Given specifications:

- 125A Main Lugs
- 50A, 125/250V receptacle with GFCI circuit breaker
- 30A, 125V receptacle with a standard circuit breaker
- 20A, 125V GFCI weather resistant receptacle
- Ring type meter at the top
- Surface mount device
- Light option with photocell

- Step 1**
Start with the power receptacle product line prefix identifier: **(T)**
- Step 2**
Choose main type: **(L)**
- Step 3**
Choose the first receptacle and its circuit breaker type: **(1F)**
- Step 4**
Choose the second receptacle and its circuit breaker type: **(3)**
- Step 5**
Choose the third receptacle and its circuit breaker type: **(7)**
- Step 6**
Choose utility meter & bypass type required: **(N)**
- Step 7**
Choose enclosure type: **(T)**
- Step 8**
Add dash and select light option with photocell: **(-LP)**

Most Common Items—See Previous Page to Build Your Own Catalog Number

Catalog Number	Mains Type	Enclosure Type	Meter Provision	Receptacle #1	Receptacle #2	Receptacle #3	Options
----------------	------------	----------------	-----------------	---------------	---------------	---------------	---------

Surface Mount, Un-Metered

TL17US	125A Main Lug	Surface Mount	Un-Metered	14-50R	5-20R2 GFI W.R.	N/A	N/A
TL37US	125A Main Lug	Surface Mount	Un-Metered	TT30R	5-20R2 GFI W.R.	N/A	N/A
TL77US	125A Main Lug	Surface Mount	Un-Metered	5-20RGFI W.R.	5-20R2 GFI W.R.	N/A	N/A
TL137US	125A Main Lug	Surface Mount	Un-Metered	14-50R	TT30R	5-20R2 GFI W.R.	N/A
TL577US	125A Main Lug	Surface Mount	Un-Metered	6-20R	5-20R2 GFI W.R.	5-20R2 GFI W.R.	N/A
TL1F7US	125A Main Lug	Surface Mount	Un-Metered	14-50R, GFCI Brkr	5-20R2 GFI W.R.	N/A	N/A
TL1F3F7US	125A Main Lug	Surface Mount	Un-Metered	14-50R, GFCI Brkr	TT30R, GFCI Brkr	5-20R2 GFI W.R.	N/A
TL5F8G8GUS	125A Main Lug	Surface Mount	Un-Metered	6-20R, GFCI Brkr	5-20R2, GFCI Brkr, W.R.	5-20R2, GFCI Brkr, W.R.	N/A
TL1F3F7US2	125A Main Lug	Surface Mount	Un-Metered	14-50R, GFCI Brkr	TT30R, GFCI Brkr	5-20R2 GFI W.R.	Loop Feed Lugs

Surface Mount, Metered

TL137UP	125A Main Lug	Burial Pedestal	Un-Metered	14-50R	TT30R	5-20R2 GFI W.R.	N/A
TL137NP	125A Main Lug	Burial Pedestal	Un-Metered	14-50R	TT30R	5-20R2 GFI W.R.	N/A
TL1F3F7UP	125A Main Lug	Burial Pedestal	Un-Metered	14-50R, GFCI Brkr	TT30R, GFCI Brkr	5-20R2 GFI W.R.	N/A
TL138GUP	125A Main Lug	Burial Pedestal	Un-Metered	14-50R	TT30R	5-20R2, GFCI Brkr, W.R.	N/A
TL137UP-LP	125A Main Lug	Burial Pedestal	Un-Metered	14-50R	TT30R	5-20R2 GFI W.R.	Light & Photocell
TL137U2P	125A Main Lug	Burial Pedestal-Double Sided	Un-Metered	14-50R	TT30R	5-20R2 GFI W.R.	N/A

Pedestal Mount, Metered & Un-Metered

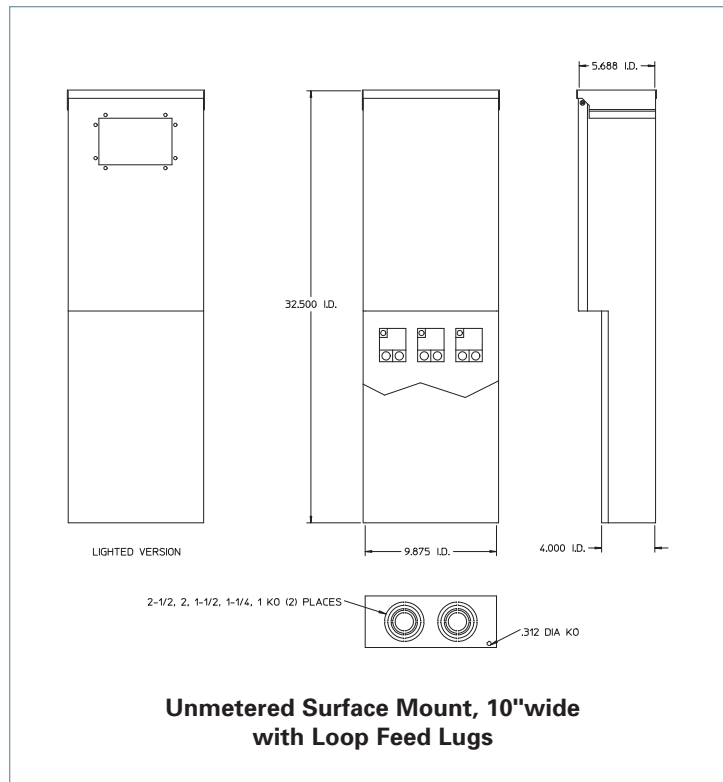
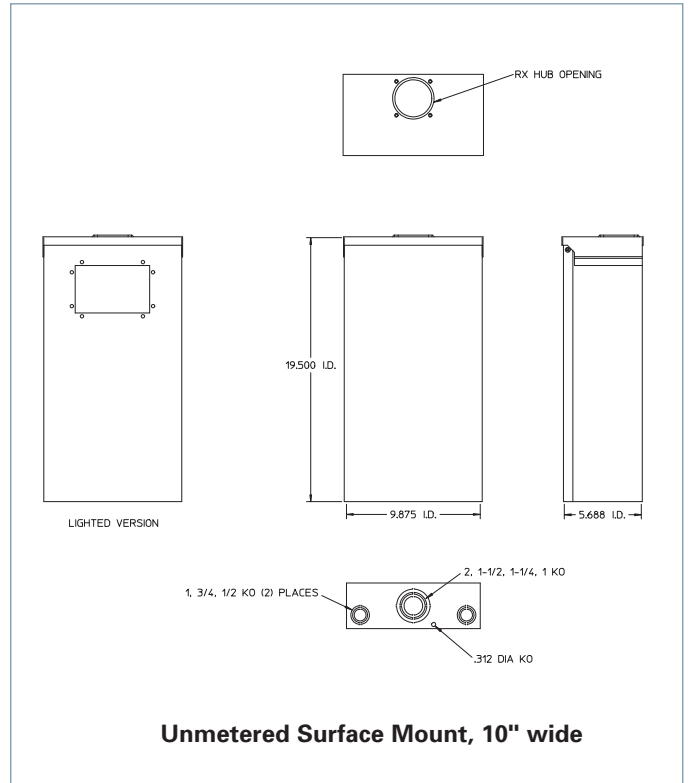
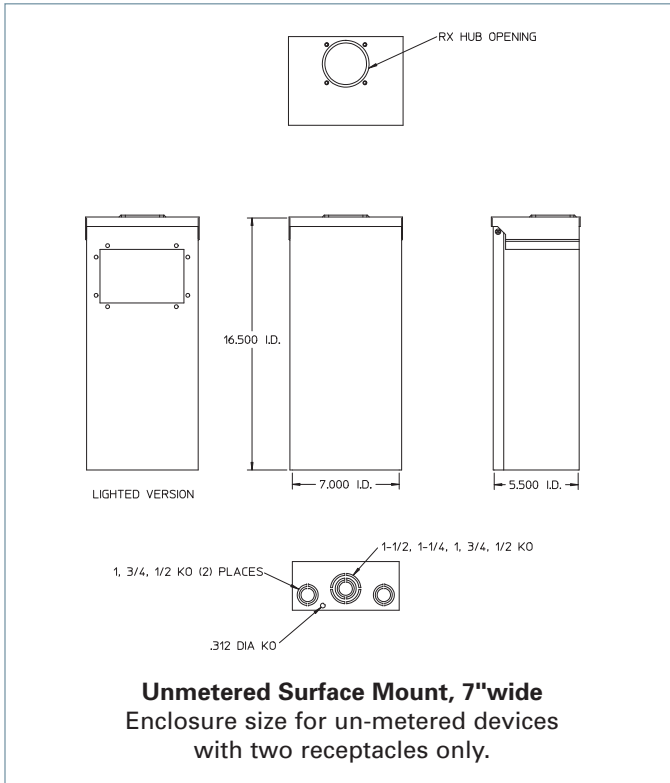
TL77NT	125A Main Lug	Top Feed	Metered- Ring	5-20R2 GFI W.R.	5-20R2 GFI W.R.	N/A	N/A
TL77NB	125A Main Lug	Bottom Feed	Metered- Ring	5-20R2 GFI W.R.	5-20R2 GFI W.R.	N/A	N/A
TL77RT	125A Main Lug	Top Feed	Metered- Ringless	5-20R2 GFI W.R.	5-20R2 GFI W.R.	N/A	N/A
TL77RB	125A Main Lug	Bottom Feed	Metered- Ringless	5-20R2 GFI W.R.	5-20R2 GFI W.R.	N/A	N/A
TL137RT	125A Main Lug	Top Feed	Metered- Ringless	14-50R	TT30R	5-20R2 GFI W.R.	N/A
TL577NT	125A Main Lug	Top Feed	Metered- Ring	6-20R	5-20R2 GFI W.R.	5-20R2 GFI W.R.	N/A
TL1F77NT	125A Main Lug	Top Feed	Metered- Ring	14-50R, GFCI Brkr	5-20R2 GFI W.R.	5-20R2 GFI W.R.	N/A
TL1F77RB	125A Main Lug	Bottom Feed	Metered- Ringless	14-50R, GFCI Brkr	5-20R2 GFI W.R.	5-20R2 GFI W.R.	N/A
TL5F77NT	125A Main Lug	Top Feed	Metered- Ring	6-20R, GFCI Brkr	5-20R2 GFI W.R.	5-20R2 GFI W.R.	N/A
TL5F77RT	125A Main Lug	Top Feed	Metered- Ringless	6-20R, GFCI Brkr	5-20R2 GFI W.R.	5-20R2 GFI W.R.	N/A
TL5F77RB	125A Main Lug	Bottom Feed	Metered- Ringless	6-20R, GFCI Brkr	5-20R2 GFI W.R.	5-20R2 GFI W.R.	N/A

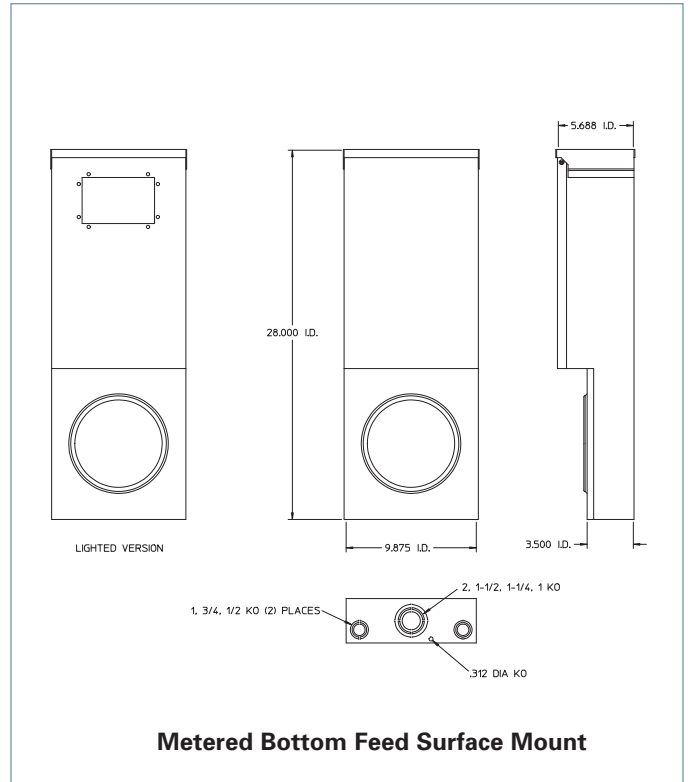
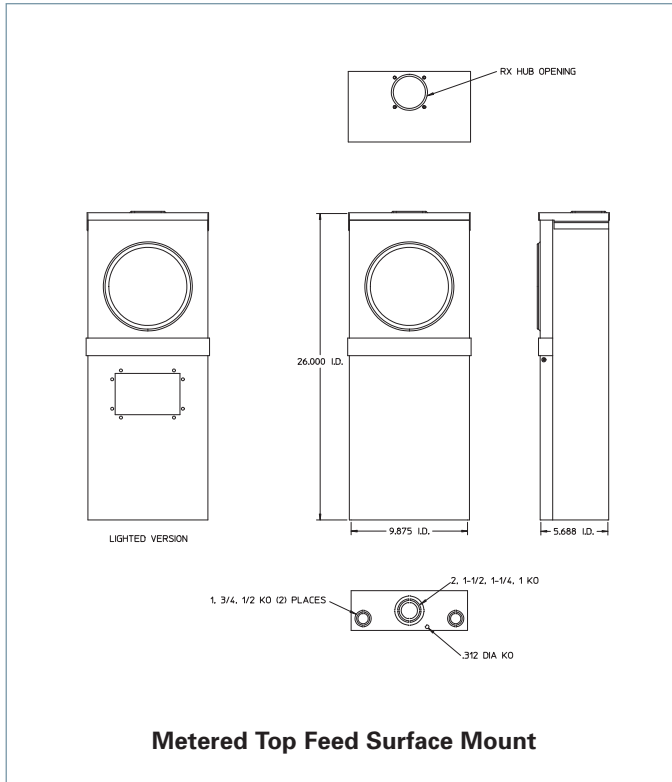
Special Accessories

Catalog Number	Description	Notes
TLAWATER	Water Connection Accessory	Accessories are intended to mount on each side of a direct burial or pad mount pedestal. These accessories can be used independently provided they are mounted on a flat surface. Mounting these accessories to round poles is not recommended.
TLATVP	Television & Phone Connection Accessory	

Temporary Power Outlet Panels

Dimension Drawings



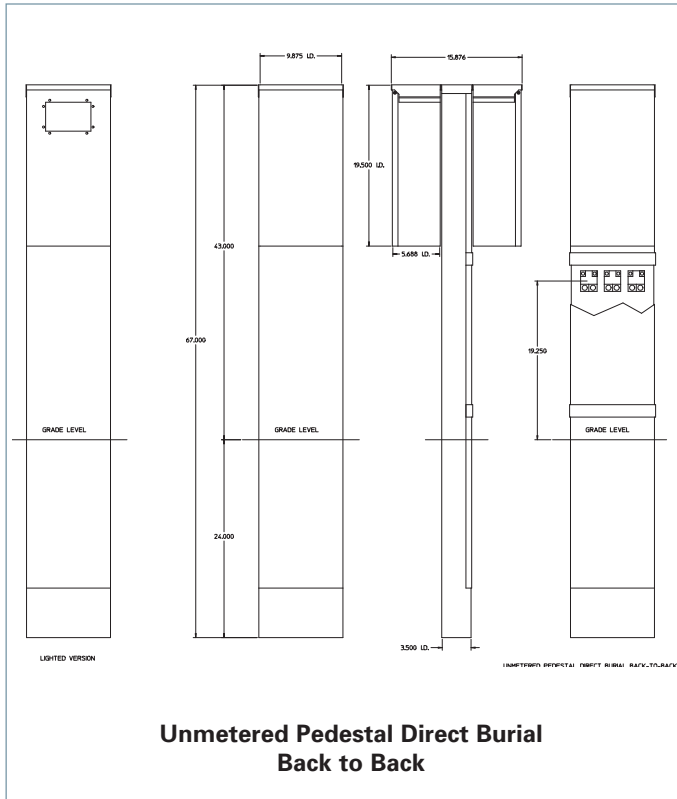
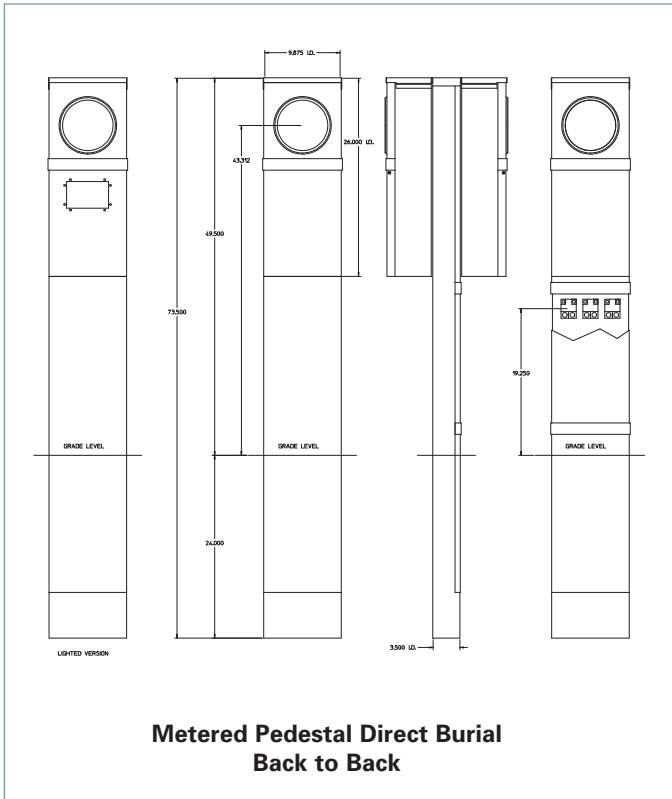
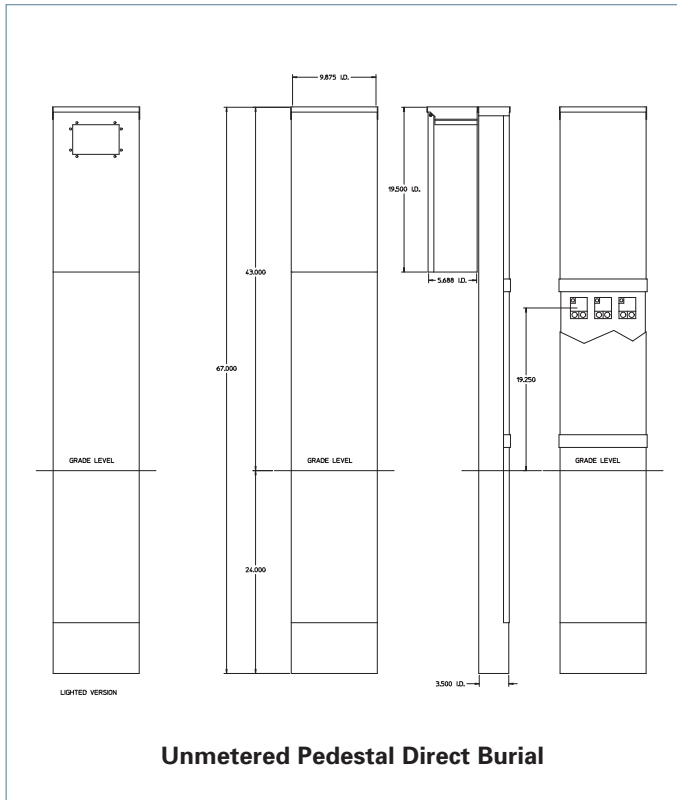
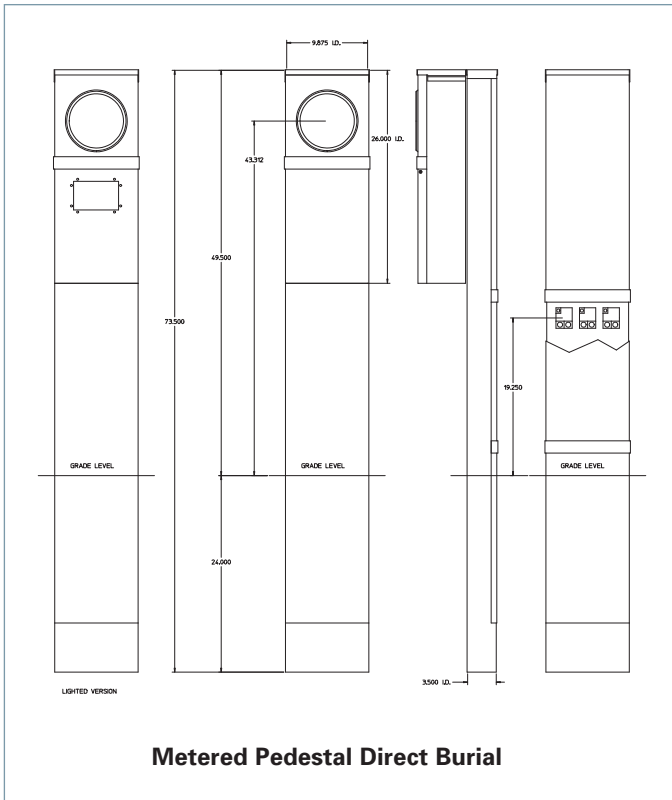


Temporary Power Outlet Panels

Dimension Drawings

2
METER
CENTERS

Meter Socket

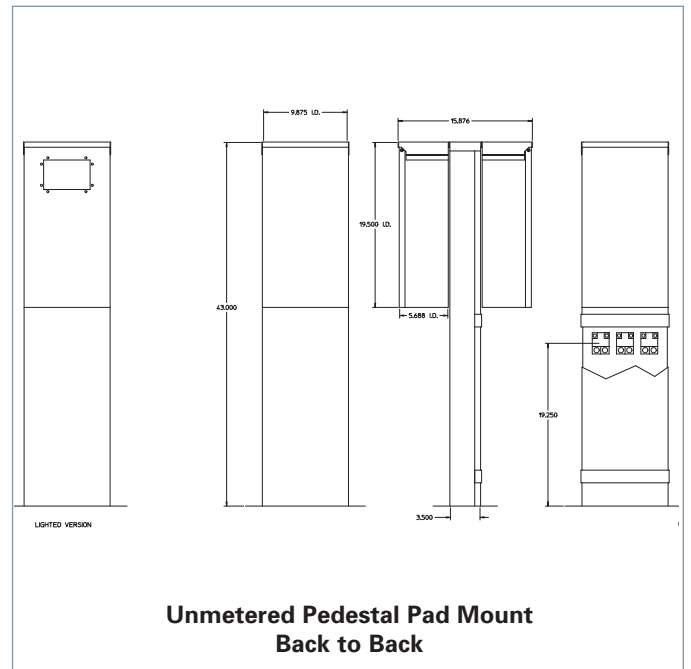
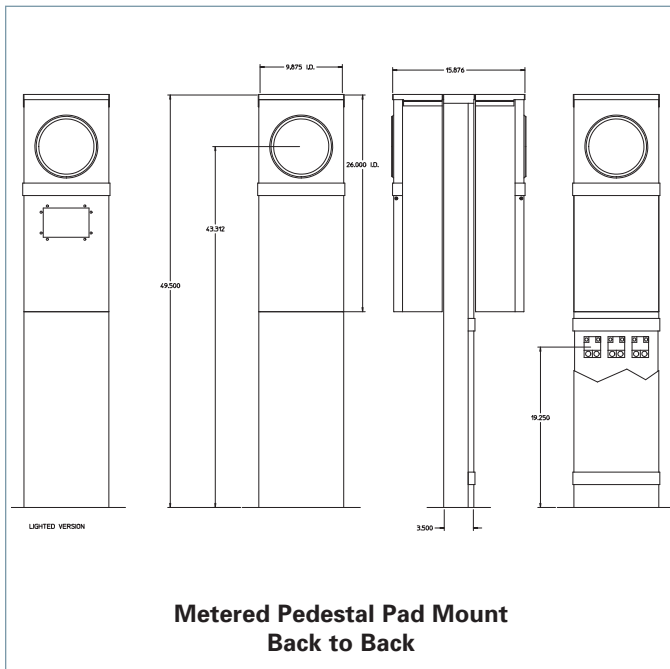
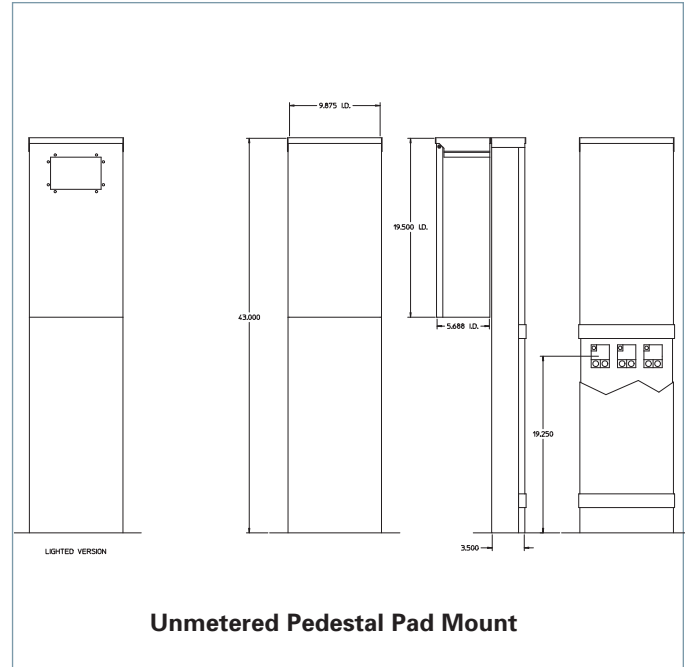
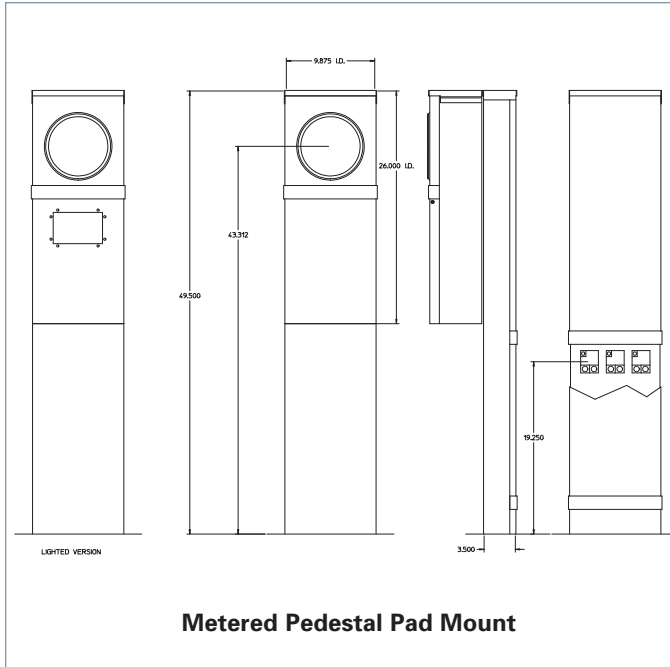


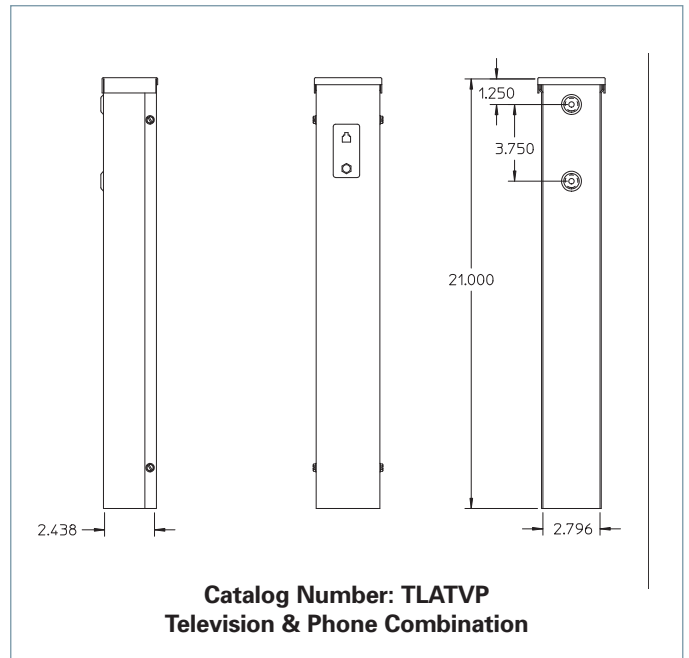
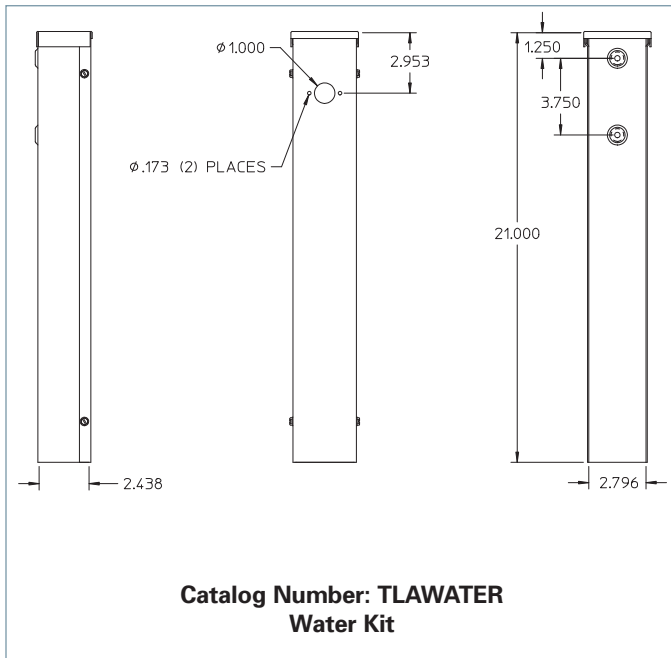
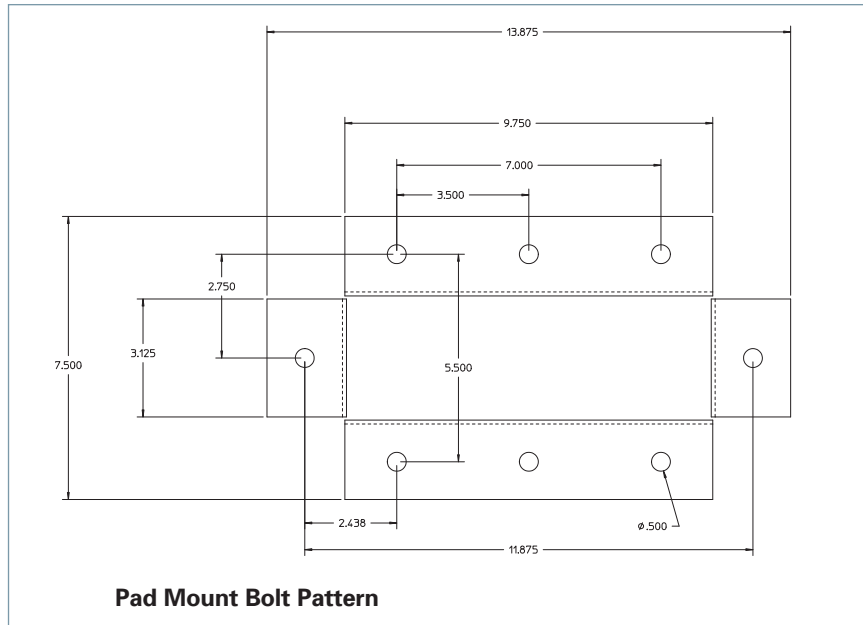
Temporary Power Outlet Panels

Dimension Drawings

METER CENTERS 2

Meter Socket



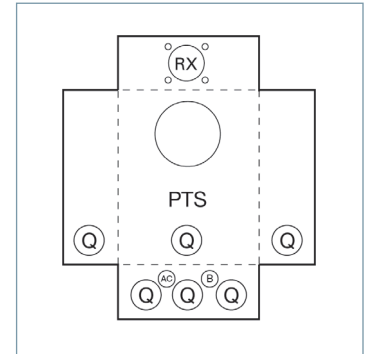
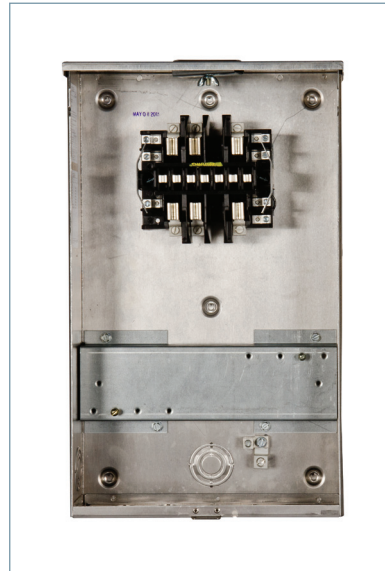


Type PTS Transformer-Rated Meter Mounting Equipment with Test Switch Provisions

Common Features

- 20A continuous rated
- Ground lug available
- Steel or aluminum construction
- Split or solid cover construction
- OH and UG capabilities
- 600V rated
- Spacing for multiple test switch configurations
- Customized test switch and wiring

Consult the factory for other available options such as, but not limited to alternate enclosure and hasp material, kearnaloxed terminals, enclosures with special KO configurations, pre-wired units, test switch specifications and special labeling.



KNOCKOUTS (inches):	
B:	1/2, 3/4
Q:	1, 1-1/4, 1-1/2
AC:	1/4, 1/2
RX:	Ø2.750 HUB 0P

Socket Type	Catalog Numbers						Dimensions (in.)			Cont. Amp Rating	Hub Opening	Terminal Wire Range	
	Ringless - Solid Cover		Ringless - Split Cover		Ring Type - Split Cover		L	W	D			Current	Potential
	Aluminum	Steel	Aluminum	Steel	Aluminum	Steel							
PTS6: 6 Jaw	9837-8200	9837-8201	9837-8202	9837-8203	9837-8204	9837-8205	20.0	12.0	4.5	20	RX Cl. Plate	#4-14	#8-14
	9837-8210	9837-8211	9837-8212	9837-8213	9837-8214	9837-8215	20.0	12.0	4.5	20	1" Hub Inst.	#4-14	#8-14
	9837-8220	9837-8221	9837-8222	9837-8223	9837-8224	9837-8225	20.0	12.0	4.5	20	1.25" Hub Inst.	#4-14	#8-14
	9837-8230	9837-8231	9837-8232	9837-8233	9837-8234	9837-8235	20.0	12.0	4.5	20	1.50" Hub Inst.	#4-14	#8-14
	9837-8240	9837-8241	9837-8242	9837-8243	9837-8244	9837-8245	20.0	12.0	4.5	20	RX Opening	#4-14	#8-14
PTS8: 8 Jaw	9837-8400	9837-8401	9837-8402	9837-8403	9837-8404	9837-8405	20.0	12.0	4.5	20	RX Cl. Plate	#4-14	#8-14
	9837-8410	9837-8411	9837-8412	9837-8413	9837-8414	9837-8415	20.0	12.0	4.5	20	1" Hub Inst.	#4-14	#8-14
	9837-8420	9837-8421	9837-8422	9837-8423	9837-8424	9837-8425	20.0	12.0	4.5	20	1.25" Hub Inst.	#4-14	#8-14
	9837-8430	9837-8431	9837-8432	9837-8433	9837-8434	9837-8435	20.0	12.0	4.5	20	1.50" Hub Inst.	#4-14	#8-14
	9837-8440	9837-8441	9837-8442	9837-8443	9837-8444	9837-8445	20.0	12.0	4.5	20	RX Opening	#4-14	#8-14
PTS13: 13 Jaw	9837-8500	9837-8501	9837-8502	9837-8503	9837-8504	9837-8505	20.0	12.0	4.5	20	RX Cl. Plate	#4-14	#8-14
	9837-8510	9837-8511	9837-8512	9837-8513	9837-8514	9837-8515	20.0	12.0	4.5	20	1" Hub Inst.	#4-14	#8-14
	9837-8520	9837-8521	9837-8522	9837-8523	9837-8524	9837-8525	20.0	12.0	4.5	20	1.25" Hub Inst.	#4-14	#8-14
	9837-8530	9837-8531	9837-8532	9837-8533	9837-8534	9837-8535	20.0	12.0	4.5	20	1.50" Hub Inst.	#4-14	#8-14
	9837-8540	9837-8541	9837-8542	9837-8543	9837-8544	9837-8545	20.0	12.0	4.5	20	RX Opening	#4-14	#8-14

GENERAL INFORMATION:	
Capacity:	20 amperes, 600 volts a.c.
Application:	Transformer-rated applications. Available with or without test switch and pre-wiring.
Enclosures:	14-gauge .063 aluminum or 16-gauge galvanized steel suitable for indoor or outdoor installation.
Terminals:	Set screw type.
Hubs:	Interchangeable 1", 1-1/4", 1-1/2"
Finish:	Aluminum unpainted unless specified. Steel enclosures have gray polyester powder coat finish.
Test Switches:	Standard 6 and 10 pole, 480-volt rated switches are available from stock. Special switches available upon request.

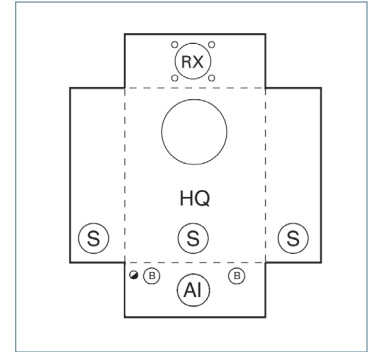
Contact utility or sales office for approval by your local utility prior to installation.

Type HQ-T Transformer-Rated Meter Mounting Equipment

Common Features

- Clamping jaw lever bypass
- 80A continuous rated
- Ground lug available
- Screw type terminals with pressure plate
- Steel or aluminum construction
- Glass filled polyester block construction
- 200% rated bypass
- Overhead and underground capabilities
- 600V rated

Consult the factory for other available options such as, but not limited to alternate enclosure and hasp material, kearnaloxed terminals, enclosures with special KO configurations, pre-wired units, test switch specifications and special labeling.



KNOCKOUTS (inches):	
●	1/4
B:	1/2, 3/4
S:	1, 1-1/4, 1-1/2, 2, 2-1/2
Al:	1, 1-1/4, 1-1/2, 2, 2-1/2, 3
RX:	Ø2.750 HUB 0P

Socket Type	Catalog Numbers		Dimensions (inches)			Cont. Ampere Rating	Hub Opening	Terminal Wire Range	
	Removable Handle	Solid Handle	L	W	D			Current Term	Potential Term
HQ-6T: 6 Jaw	9804-8544	9804-8548	17.5	10.0	5.0	80	RX Cl. Plate	#4-14	#8-14
	9804-8482	9804-8485	17.5	10.0	5.0	80	1" Hub Installed	#4-14	#8-14
	9804-8483	9804-8486	17.5	10.0	5.0	80	1.25" Hub Installed	#4-14	#8-14
HQ-8T: 8 Jaw	9804-8542	9804-8546	17.5	10.0	5.0	80	RX Cl. Plate	#4-14	#8-14
	9804-8419	9804-8456	17.5	10.0	5.0	80	1" Hub Installed	#4-14	#8-14
	9804-8422	9804-8459	17.5	10.0	5.0	80	1.25" Hub Installed	#4-14	#8-14
HQ-13T: 13 Jaw	9804-8543	9804-8547	17.5	10.0	5.0	80	RX Cl. Plate	#4-14	#8-14
	9804-8420	9804-8457	17.5	10.0	5.0	80	1" Hub Installed	#4-14	#8-14
	9804-8423	9804-8460	17.5	10.0	5.0	80	1.25" Hub Installed	#4-14	#8-14
	9804-8426	9804-8463	17.5	10.0	5.0	80	1.50" Hub Installed	#4-14	#8-14

GENERAL INFORMATION:	
Capacity:	80 ampere continuous, 600 volts a.c.
Application:	6 terminal, single phase 2 or 3 wire; 8 terminal 2 or 3 phase, 3 wire, HQ-13T - 3 phase, 4 wire wye or 4 wire delta. For use with transformer-rated Class 10 or 20 meters. May also be used on self-contained applications up to 80 ampere load.
Enclosures:	Constructed of 16 gauge galvanized steel with polyester powder coat finish. Also available in 12 gauge aluminum upon request. All enclosures are NEMA type 3R.
Block Assembly:	Glass fiber reinforced polyester. High strength, arc and track resistant.
Bypass:	Lever-Operated Jaw Release - Moving lever up closes bypass, providing positive short circuiting of the current circuits and releases jaw pressure on the meter current terminals providing easy removal of the meter. Also available is a removable bypass handle which allows a solid cover, #37943-2 for HQ-T or #54199-2 for HQ-TS, to be placed on the box with the bypass closed when it is necessary to remove the meter for in-shop repair or testing. Bypass capacity: 80 amp continuous.
Terminals:	Set screw type with pressure plate. Current terminals will accommodate conductors from #4 to #14. Potential terminals will accommodate from #8 to #14.
Hubs:	Cover plate or single removable gasketless hubs are interchangeable.
UL:	All sockets shown are UL approved.
Safety Shield:	Track resistant polycarbonate transparent safety shield provides liberal insulation between potential jaws and terminals and protection from accidental shorts and shocks.

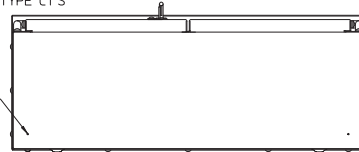
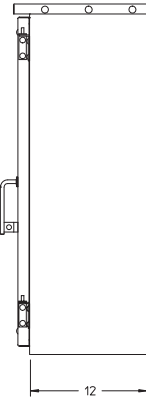
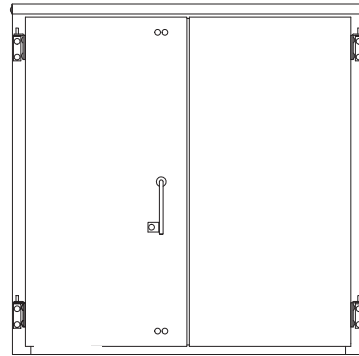
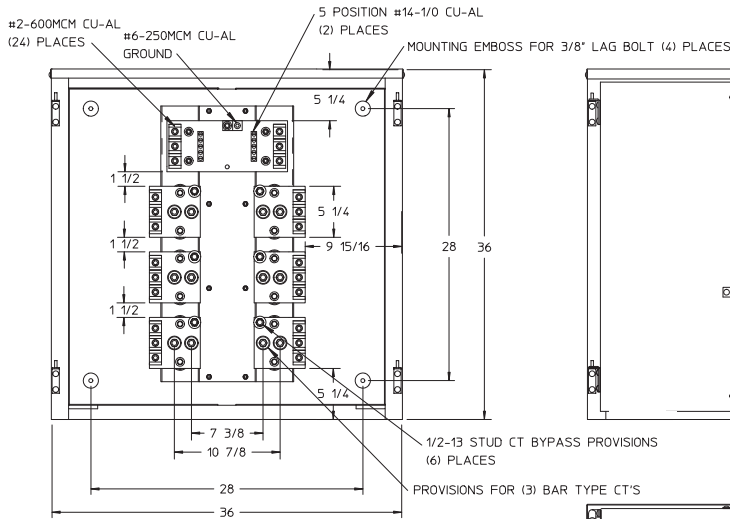
Contact utility or sales office for approval by your local utility prior to installation.

Meter Centers

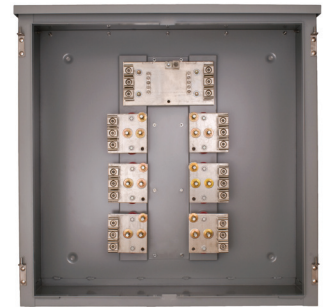
Current Transformer Cabinet

METER CENTERS

Meter Socket



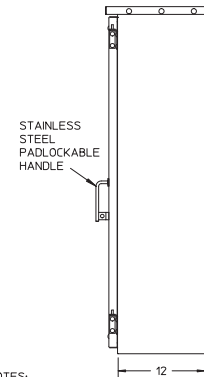
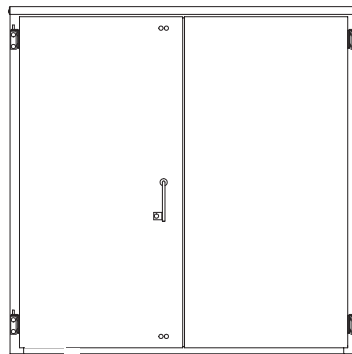
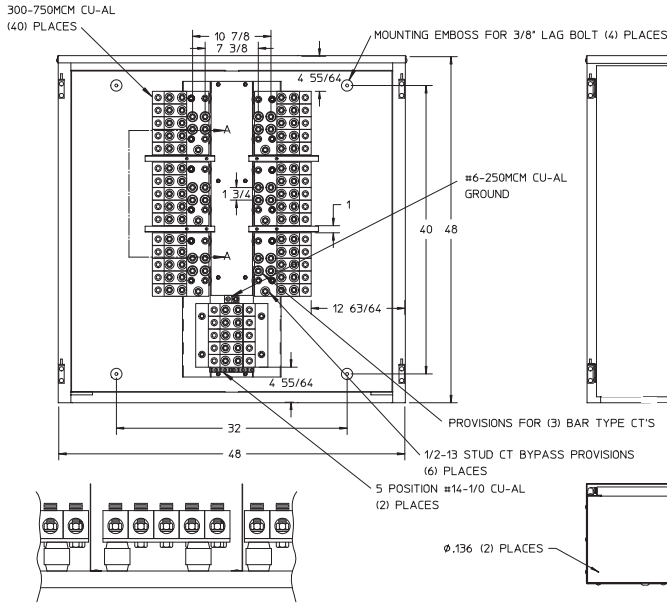
LG123636CTS2



LG123636CTS2

NOTES:

- 1) MATERIAL: 14GA GALVANIZED STEEL
- 2) FINISH: GREY
- 3) ALL EXTERNAL HARDWARE AND HINGES ARE STAINLESS STEEL
- 4) MINIMUM WIRE BENDING SPACE AT WIRING TERMINALS IS BASED ON N.E.C. ARTICLE 312.6 AND ANS/UL 414. THIS UNIT DOES NOT HAVE PROPER WIRE BENDING SPACE AS REQUESTED BY SIEMENS.
- 5) CONNECTOR RACK ASSEMBLY IS DESIGNED TO BE CAPABLE OF ROTATING 180 DEGREES FOR OVERHEAD OR UNDERGROUND FEED



LG124848CTS2

NOTES:

- 1) MATERIAL: 14GA GALVANIZED STEEL
- 2) FINISH: GREY
- 3) ALL EXTERNAL HARDWARE AND HINGES ARE STAINLESS STEEL
- 4) MINIMUM WIRE BENDING SPACE AT WIRING TERMINALS IS BASED ON N.E.C. ARTICLE 312.6 AND ANS/UL 414. THIS UNIT DOES NOT HAVE PROPER WIRE BENDING SPACE AS REQUESTED BY SIEMENS.
- 5) CONNECTOR RACK ASSEMBLY IS DESIGNED TO BE CAPABLE OF ROTATING 180 DEGREES FOR OVERHEAD OR UNDERGROUND FEED

Current Transformer Cabinet

4 Terminal for 1 Phase, 3 Wire 240V AC

Amperage Rating	Catalog Number	Hub Provisions*	Connectors	Dimension			Millbank Equivalent
				W	H	D	
400-800	LG123636CTS2	Blank	3 Lugs per Phase	36	36	12	S-1855-0
800-1200	LG124848CTS2	Blank	5 Lugs per Phase	48	48	12	S-1856-0

Devices are 2 door and include stainless steel handles. All devices are NEMA type 3R rated.

Lugs: #2-600 kcmil

* We have many more CT cabinet options for varying utilities. Please consult your regional catalog for a complete offering.

Contact utility or sales office for approval by your local utility prior to installation.



5TH & 6TH Jaw Assemblies

For Use With	Catalog Number
All SUAxxxx single and multiple position sockets	EC659-0121 (grounded)
All SUAxxxx single and multiple position sockets	EC659-0120 (insulated)
All Lever Bypass single position sockets	S35815-2
SC and SD Unbussed Multiple-5th Jaw	WSX019
100A Test Block bypass sockets	EC5J
200A Test Block bypass sockets	UX005B
Anti-Inversion clip for use with 320amp sockets	H59676 when required

Miscellaneous Accessories

Description	Catalog Number
Insulated Neutral Kit for "S404xx" sockets	EC64685
Isolated Neutral Kit for S9817-8061	S69685-1
Bypass Kit for S9817-8061	S69623
Jumper-200 Amp Rated-use on SUAxxx sockets only (temporary use only)	ECJS
Plastic Meter Cover- Ring	ECPP
Plastic Meter Cover- Ringless	ECCP3
Neutral Isolation kit for 200amp lever bypass sockets	64690-1

Interchangeable Hubs

Description	Catalog Number	Hub Size (Inches)
RX CONDUIT HUBS		
	EC38594	¾
	EC38596	1
	EC38597	1¼
	EC38598	1½
	EC38599	2
	EC38600	2½
Closure Plate	EC38595	—

HD CONDUIT HUBS

	EC56856	3
	EC56857	3½
	EC56858	4
Adapter Plate convert HD to RX	EC9747-1113	—
Closure Plate	EC56933S	—

Sealing Rings

Description	Catalog Number
Snap-On Type, aluminum	SRSTD
Snap-On Type, steel	SRSS
Screw Type, aluminum	SRSW

Lugs for Sockets with Stud Terminals^①

Catalog Number	For Use With	Wire Range
H58852	Line side of S9817 Socket on UG Applications	(1) 3/0-800 kcmil
H56732	Line & Load of S477 & Load/Neutral of S9817 Sockets	(2) #4-350 kcmil
H56476	Line & Load of S477 & Load/Neutral of S9817 Sockets	(1) 3/0-750 kcmil
H58022	Any socket with 3/8" Stud Terminals	(2) #6-250 kcmil
H55890	Any socket with 3/8" Stud Terminals	(1) #6-350 kcmil

① Each lug catalog number contains one lug unless otherwise noted. Order enough lugs to cover all terminations.

Meter Centers

Meter Socket Knockout Diagrams

2
METER
CENTERS

Meter Socket

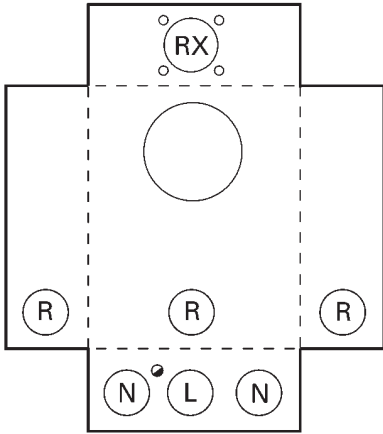


Figure 1A

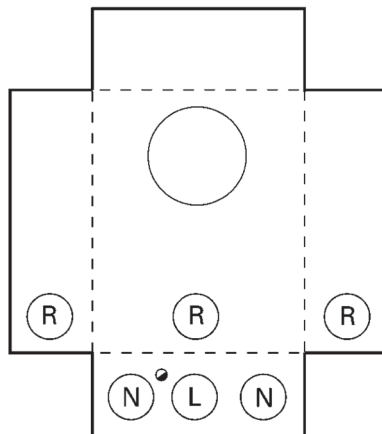


Figure 1B

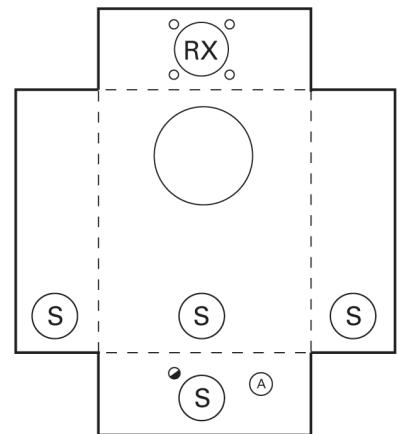


Figure 2

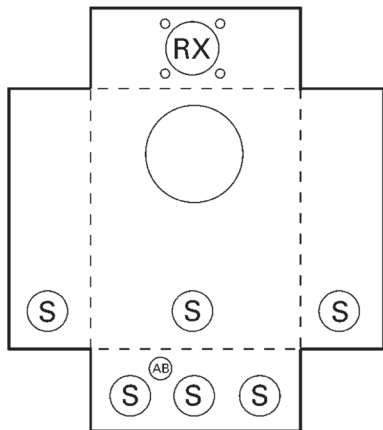


Figure 3A

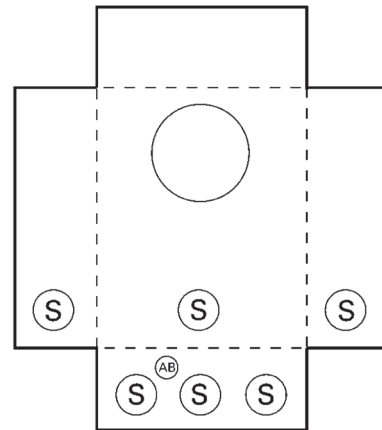


Figure 3B

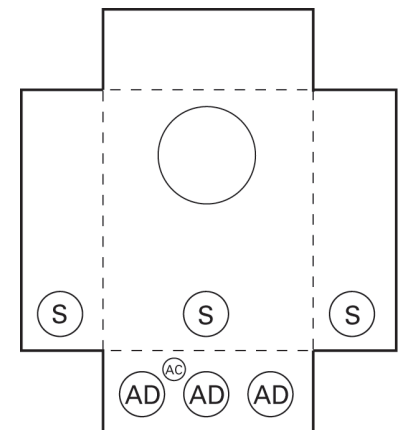


Figure 4

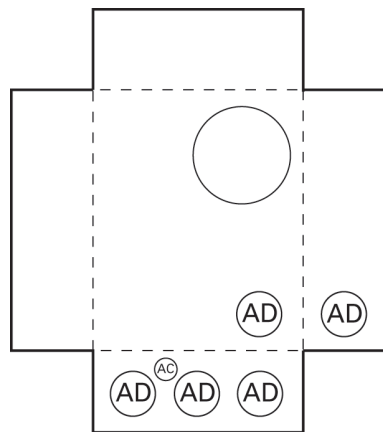


Figure 6A

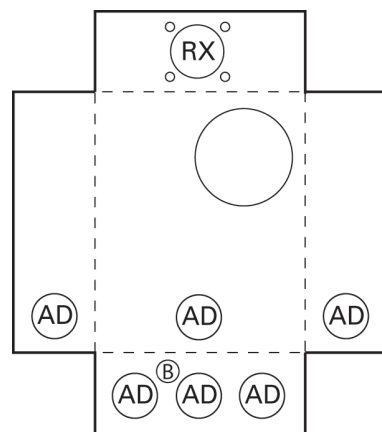


Figure 6B

KNOCKOUTS (inches):	
Ø:	1/4
A:	1/2
B:	1/2, 3/4
L:	1/2, 3/4, 1, 1-1/4, 1-1/2
N:	3/4, 1, 1-1/4, 1-1/2, 2
P:	1, 1-1/4
R:	1, 1-1/4, 1-1/2, 2
S:	1, 1-1/4, 1-1/2, 2, 2-1/2
X:	1-1/4, 1-1/2, 2, 2-1/2
Z:	1-1/2, 2, 2-1/2
EE:	2, 2-1/2, 3
GG:	2-1/2, 3, 3-1/2
HH:	2-1/2, 3, 3-1/2, 4
AB:	1/4, 1/2, 7/8
AC:	1/4, 1/2
AD:	1-1/4, 1-1/2, 2, 2-1/2, 3
AE:	1/4, 1/2, 3/4, 1, 1-1/4
AF:	1, 1-1/2, 2, 2-1/2, 3
AG:	3/4, 1, 1-1/4, 1-1/2, 2, 2-1/2, 3
AH:	1/4, 1/2, 3/4
AI:	1, 1-1/4, 1-1/2, 2, 2-1/2, 3
HD:	Ø4.281 HUB 0P
RX:	Ø2.750 HUB 0P

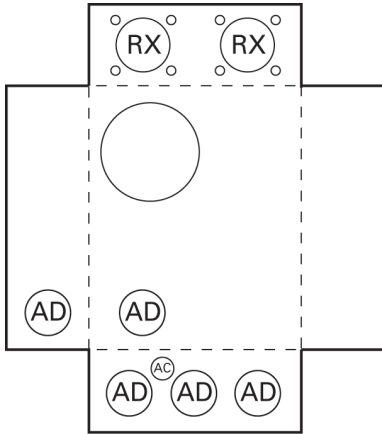


Figure 7

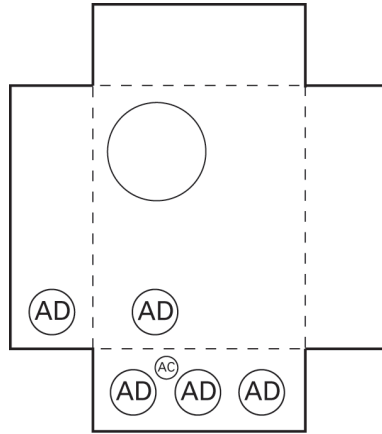


Figure 8

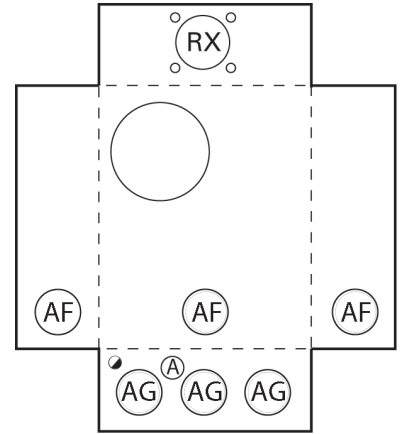


Figure 9A

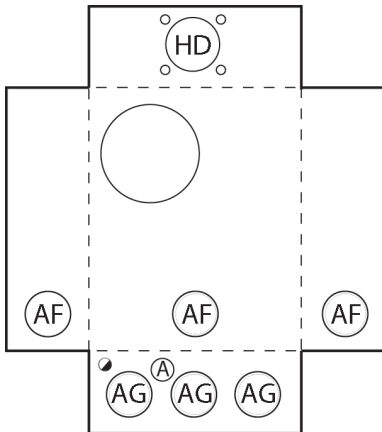


Figure 9B

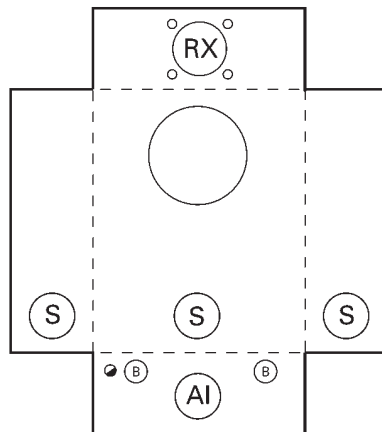


Figure 10

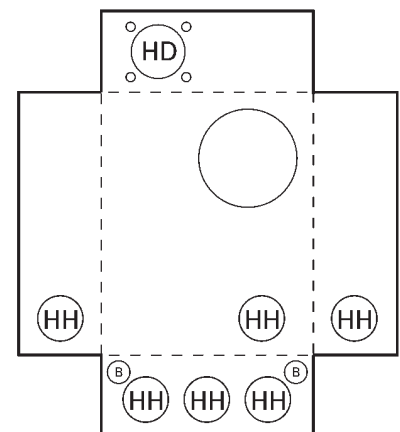


Figure 11A

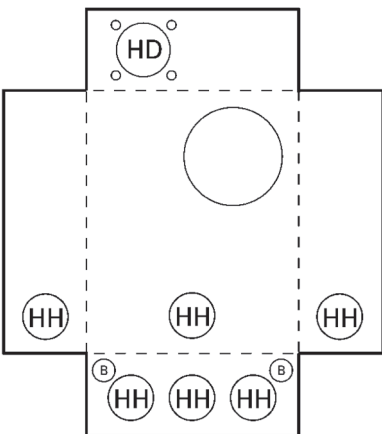


Figure 11B

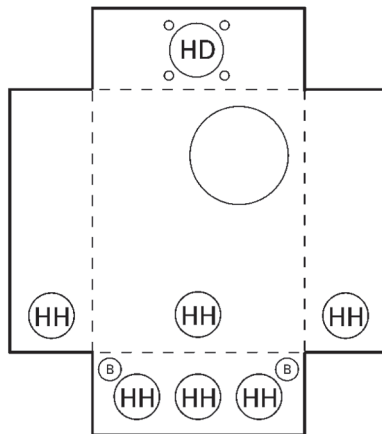


Figure 11C

KNOCKOUTS (inches):	
○	1/4
A:	1/2
B:	1/2, 3/4
L:	1/2, 3/4, 1, 1-1/4, 1-1/2
N:	3/4, 1, 1-1/4, 1-1/2, 2
P:	1, 1-1/4
R:	1, 1-1/4, 1-1/2, 2
S:	1, 1-1/4, 1-1/2, 2, 2-1/2
X:	1-1/4, 1-1/2, 2, 2-1/2
Z:	1-1/2, 2, 2-1/2
EE:	2, 2-1/2, 3
GG:	2-1/2, 3, 3-1/2
HH:	2-1/2, 3, 3-1/2, 4
AB:	1/4, 1/2, 7/8
AC:	1/4, 1/2
AD:	1-1/4, 1-1/2, 2, 2-1/2, 3
AE:	1/4, 1/2, 3/4, 1, 1-1/4
AF:	1, 1-1/2, 2, 2-1/2, 3
AG:	3/4, 1, 1-1/4, 1-1/2, 2, 2-1/2, 3
AH:	1/4, 1/2, 3/4
AI:	1, 1-1/4, 1-1/2, 2, 2-1/2, 3
HD:	Ø4.281 HUB 0P
RX:	Ø2.750 HUB 0P

Meter Centers

Meter Socket Knockout Diagrams

2
METER
CENTERS

Meter Socket

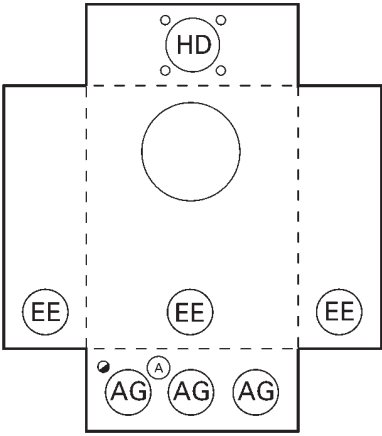


Figure 12

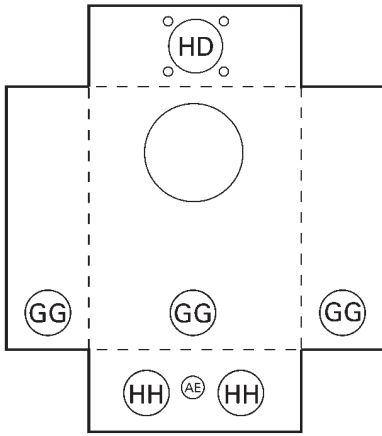


Figure 13

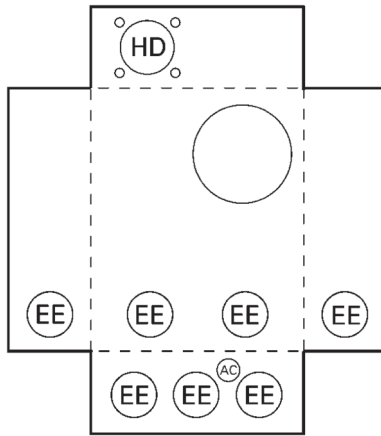


Figure 14

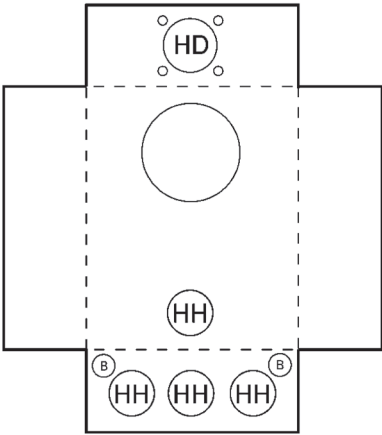


Figure 15

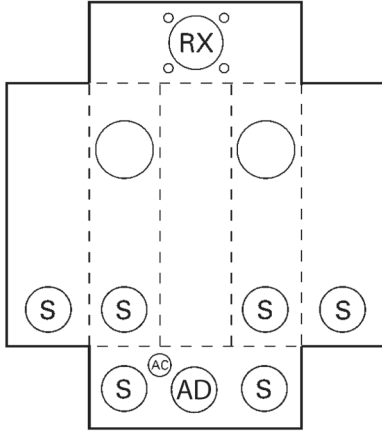


Figure 16A

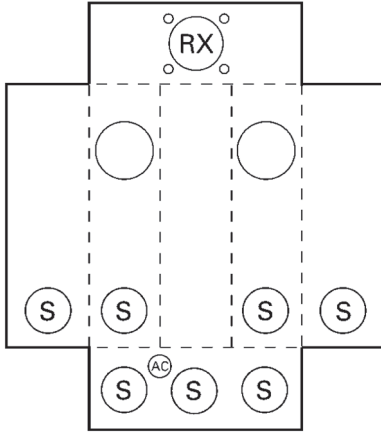


Figure 16B

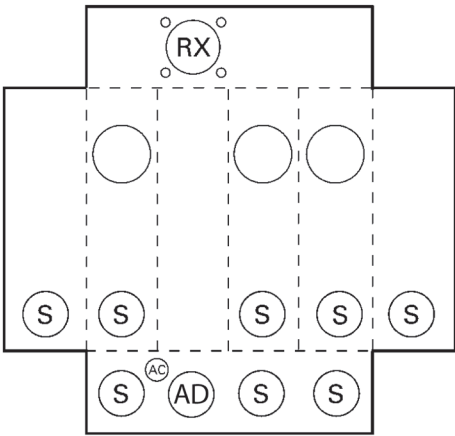


Figure 17A

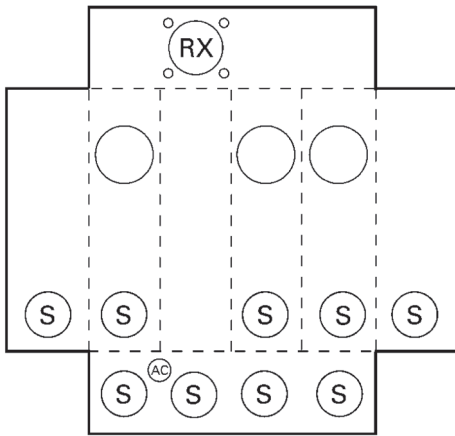


Figure 17B

KNOCKOUTS (inches):	
●	1/4
A:	1/2
B:	1/2, 3/4
L:	1/2, 3/4, 1, 1-1/4, 1-1/2
N:	3/4, 1, 1-1/4, 1-1/2, 2
P:	1, 1-1/4
R:	1, 1-1/4, 1-1/2, 2
S:	1, 1-1/4, 1-1/2, 2, 2-1/2
X:	1-1/4, 1-1/2, 2, 2-1/2
Z:	1-1/2, 2, 2-1/2
EE:	2, 2-1/2, 3
GG:	2-1/2, 3, 3-1/2
HH:	2-1/2, 3, 3-1/2, 4
AB:	1/4, 1/2, 7/8
AC:	1/4, 1/2
AD:	1-1/4, 1-1/2, 2, 2-1/2, 3
AE:	1/4, 1/2, 3/4, 1, 1-1/4
AF:	1, 1-1/2, 2, 2-1/2, 3
AG:	3/4, 1, 1-1/4, 1-1/2, 2, 2-1/2, 3
AH:	1/4, 1/2, 3/4
AI:	1, 1-1/4, 1-1/2, 2, 2-1/2, 3
HD:	∅4.281 HUB 0P
RX:	∅2.750 HUB 0P

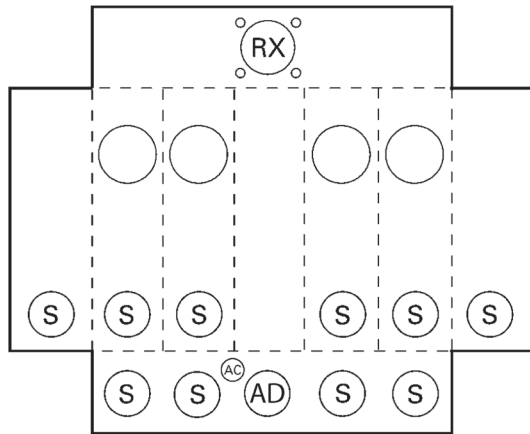


Figure 18A

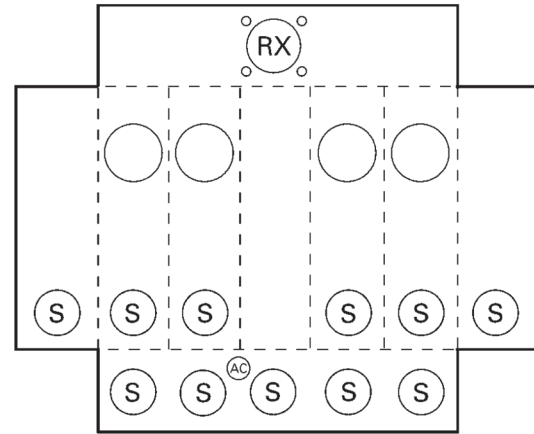


Figure 18B

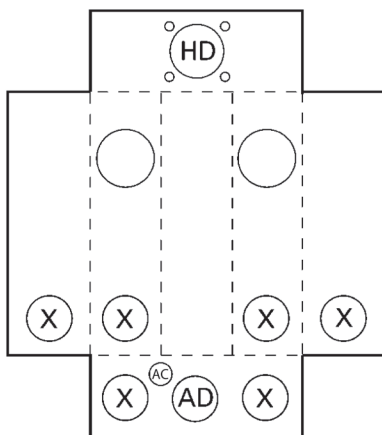


Figure 19A

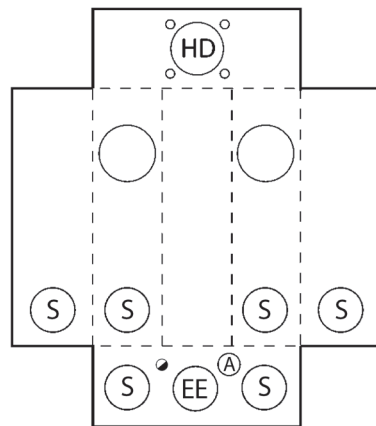


Figure 19B

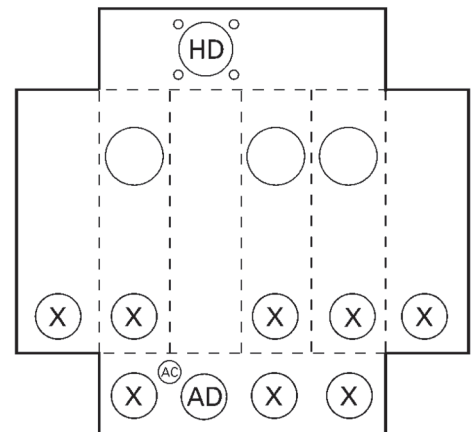


Figure 20A

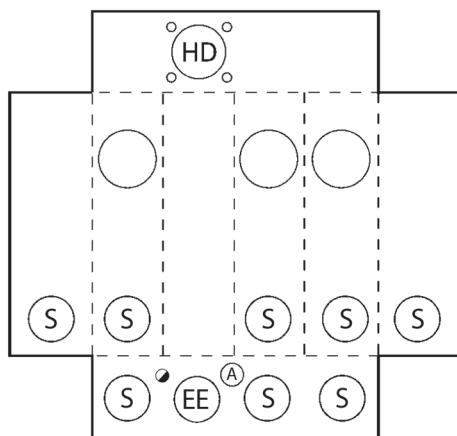


Figure 20B

KNOCKOUTS (inches):	
○	1/4
A:	1/2
B:	1/2, 3/4
L:	1/2, 3/4, 1, 1-1/4, 1-1/2
N:	3/4, 1, 1-1/4, 1-1/2, 2
P:	1, 1-1/4
R:	1, 1-1/4, 1-1/2, 2
S:	1, 1-1/4, 1-1/2, 2, 2-1/2
X:	1-1/4, 1-1/2, 2, 2-1/2
Z:	1-1/2, 2, 2-1/2
EE:	2, 2-1/2, 3
GG:	2-1/2, 3, 3-1/2
HH:	2-1/2, 3, 3-1/2, 4
AB:	1/4, 1/2, 7/8
AC:	1/4, 1/2
AD:	1-1/4, 1-1/2, 2, 2-1/2, 3
AE:	1/4, 1/2, 3/4, 1, 1-1/4
AF:	1, 1-1/2, 2, 2-1/2, 3
AG:	3/4, 1, 1-1/4, 1-1/2, 2, 2-1/2, 3
AH:	1/4, 1/2, 3/4
AI:	1, 1-1/4, 1-1/2, 2, 2-1/2, 3
HD:	Ø4.281 HUB 0P
RX:	Ø2.750 HUB 0P

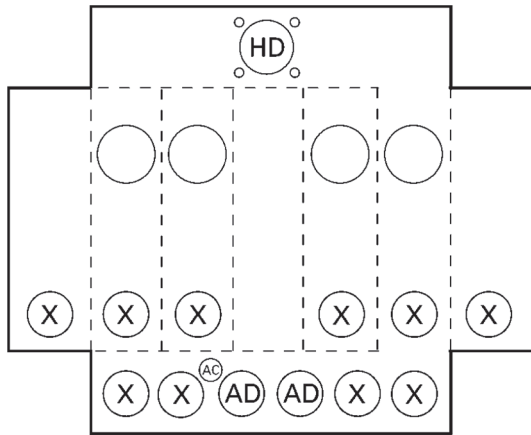


Figure 21A

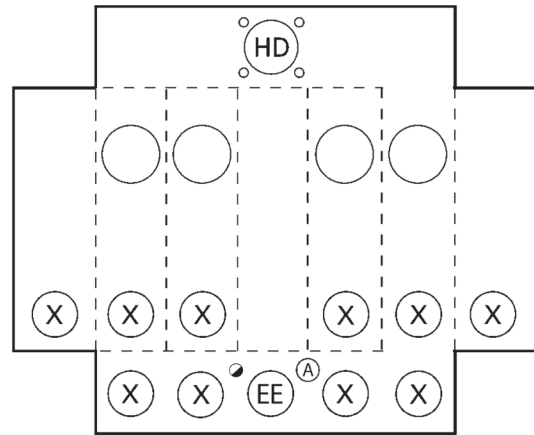


Figure 21B

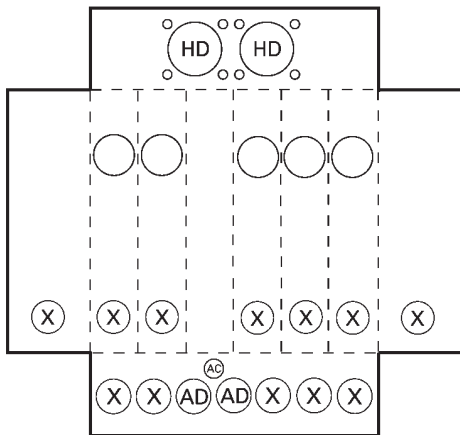


Figure 22

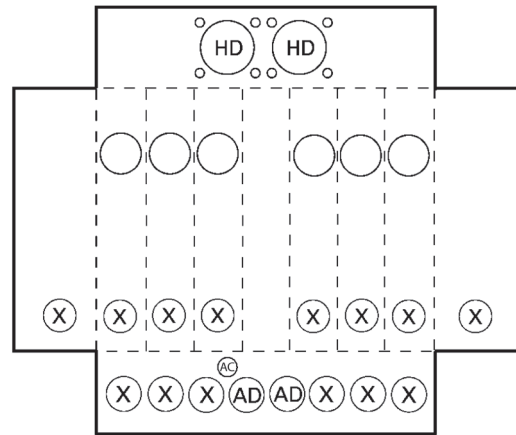


Figure 23

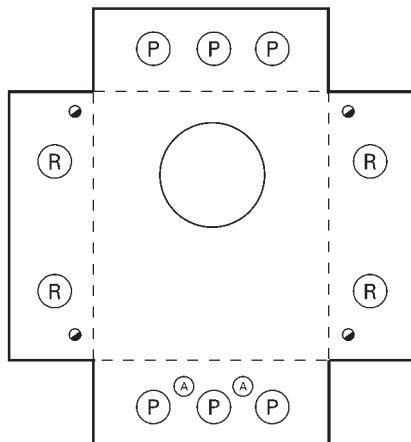


Figure 24

KNOCKOUTS (inches):

○	1/4
A:	1/2
B:	1/2, 3/4
L:	1/2, 3/4, 1, 1-1/4, 1-1/2
N:	3/4, 1, 1-1/4, 1-1/2, 2
P:	1, 1-1/4
R:	1, 1-1/4, 1-1/2, 2
S:	1, 1-1/4, 1-1/2, 2, 2-1/2
X:	1-1/4, 1-1/2, 2, 2-1/2
Z:	1-1/2, 2, 2-1/2
EE:	2, 2-1/2, 3
GG:	2-1/2, 3, 3-1/2
HH:	2-1/2, 3, 3-1/2, 4
AB:	1/4, 1/2, 7/8
AC:	1/4, 1/2
AD:	1-1/4, 1-1/2, 2, 2-1/2, 3
AE:	1/4, 1/2, 3/4, 1, 1-1/4
AF:	1, 1-1/2, 2, 2-1/2, 3
AG:	3/4, 1, 1-1/4, 1-1/2, 2, 2-1/2, 3
AH:	1/4, 1/2, 3/4
AI:	1, 1-1/4, 1-1/2, 2, 2-1/2, 3
HD:	Ø4.281 HUB 0P
RX:	Ø2.750 HUB 0P

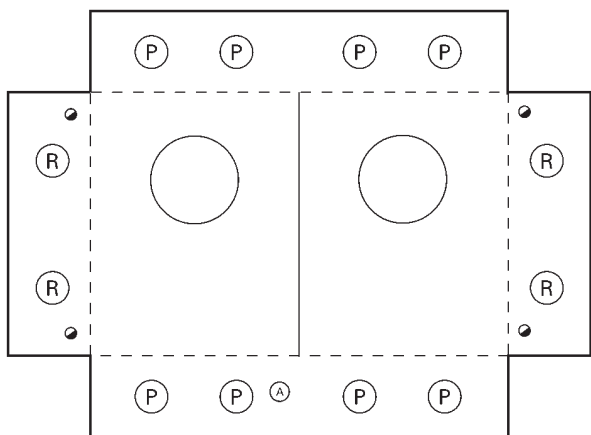


Figure 25

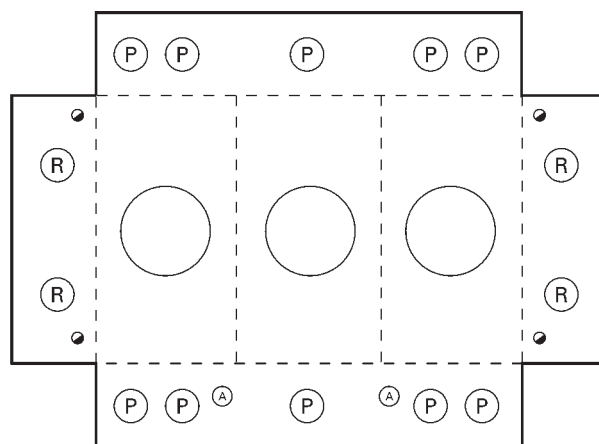


Figure 26

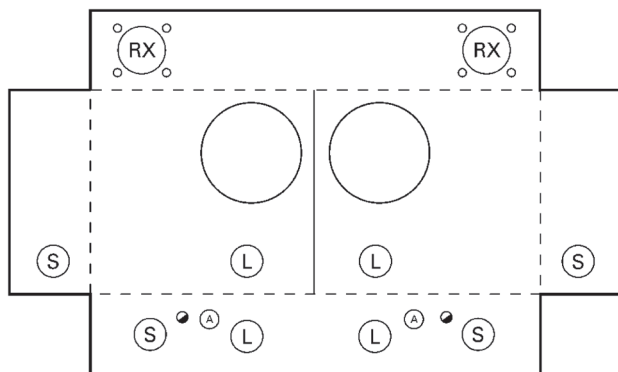


Figure 27

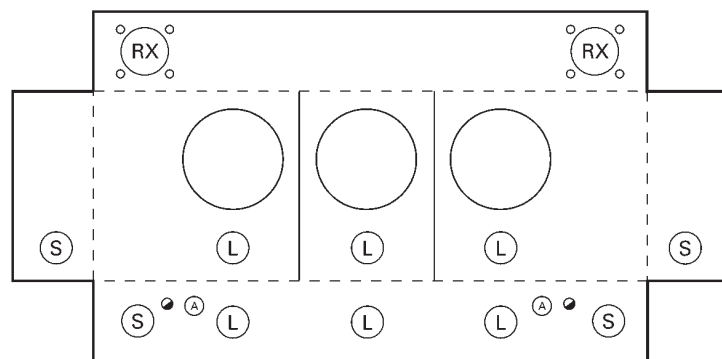


Figure 28

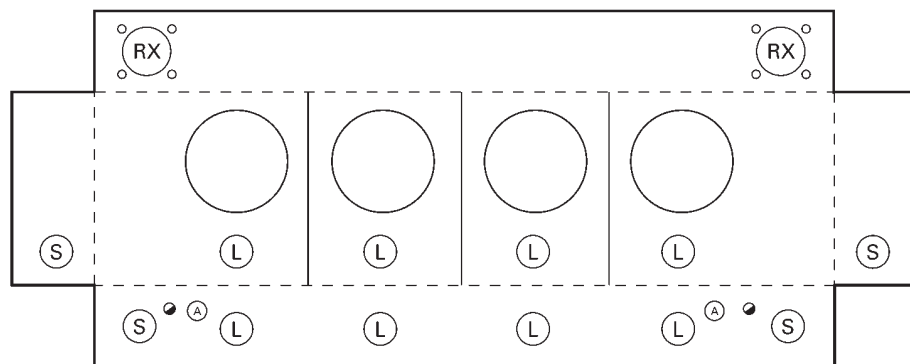


Figure 29

KNOCKOUTS (inches):	
Ø:	1/4
A:	1/2
B:	1/2, 3/4
L:	1/2, 3/4, 1, 1-1/4, 1-1/2
N:	3/4, 1, 1-1/4, 1-1/2, 2
P:	1, 1-1/4
R:	1, 1-1/4, 1-1/2, 2
S:	1, 1-1/4, 1-1/2, 2, 2-1/2
X:	1-1/4, 1-1/2, 2, 2-1/2
Z:	1-1/2, 2, 2-1/2
EE:	2, 2-1/2, 3
GG:	2-1/2, 3, 3-1/2
HH:	2-1/2, 3, 3-1/2, 4
AB:	1/4, 1/2, 7/8
AC:	1/4, 1/2
AD:	1-1/4, 1-1/2, 2, 2-1/2, 3
AE:	1/4, 1/2, 3/4, 1, 1-1/4
AF:	1, 1-1/2, 2, 2-1/2, 3
AG:	3/4, 1, 1-1/4, 1-1/2, 2, 2-1/2, 3
AH:	1/4, 1/2, 3/4
AI:	1, 1-1/4, 1-1/2, 2, 2-1/2, 3
HD:	Ø4.281 HUB 0P
RX:	Ø2.750 HUB 0P

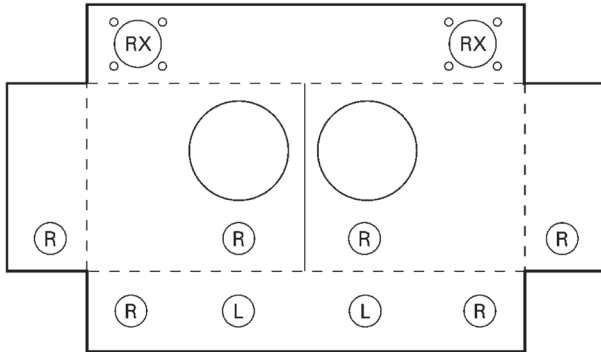


Figure 30

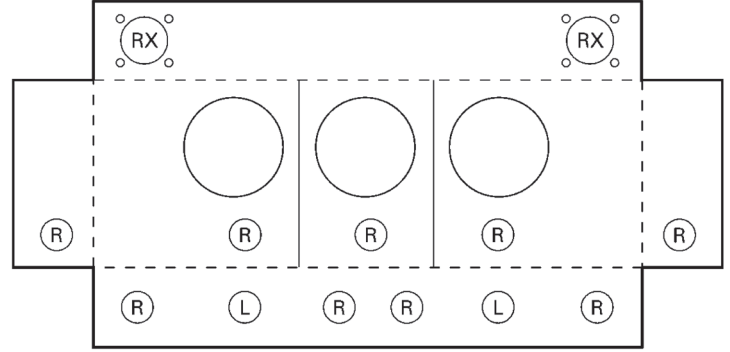


Figure 31

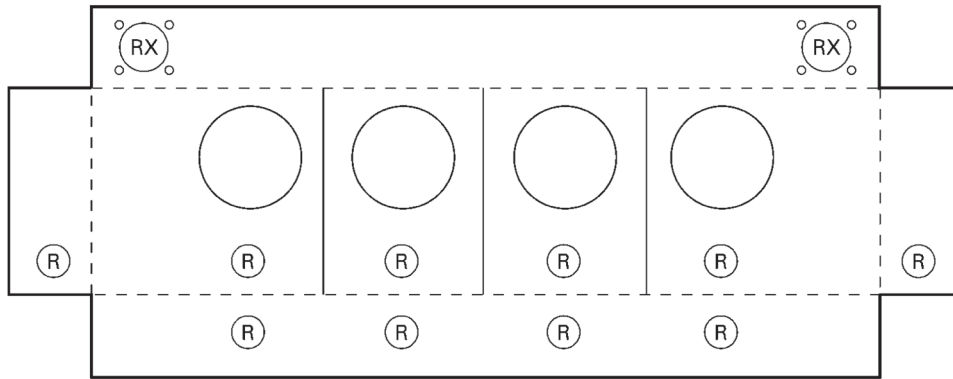


Figure 32

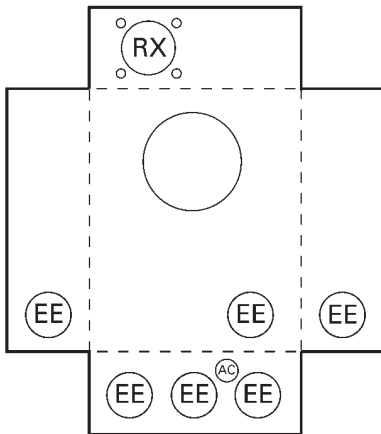


Figure 33

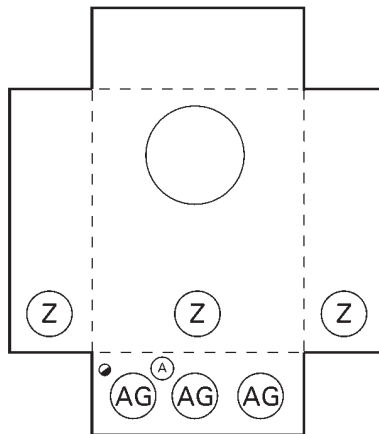


Figure 35

KNOCKOUTS (inches):

●	1/4
A:	1/2
B:	1/2, 3/4
L:	1/2, 3/4, 1, 1-1/4, 1-1/2
N:	3/4, 1, 1-1/4, 1-1/2, 2
P:	1, 1-1/4
R:	1, 1-1/4, 1-1/2, 2
S:	1, 1-1/4, 1-1/2, 2, 2-1/2
X:	1-1/4, 1-1/2, 2, 2-1/2
Z:	1-1/2, 2, 2-1/2
EE:	2, 2-1/2, 3
GG:	2-1/2, 3, 3-1/2
HH:	2-1/2, 3, 3-1/2, 4
AB:	1/4, 1/2, 7/8
AC:	1/4, 1/2
AD:	1-1/4, 1-1/2, 2, 2-1/2, 3
AE:	1/4, 1/2, 3/4, 1, 1-1/4
AF:	1, 1-1/2, 2, 2-1/2, 3
AG:	3/4, 1, 1-1/4, 1-1/2, 2, 2-1/2, 3
AH:	1/4, 1/2, 3/4
AI:	1, 1-1/4, 1-1/2, 2, 2-1/2, 3
HD:	Ø4.281 HUB 0P
RX:	Ø2.750 HUB 0P

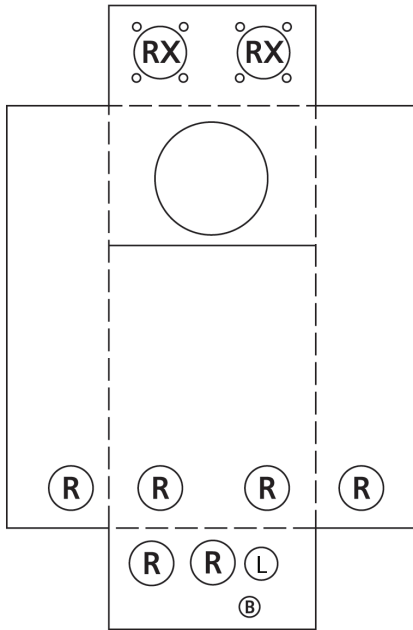


Figure 39

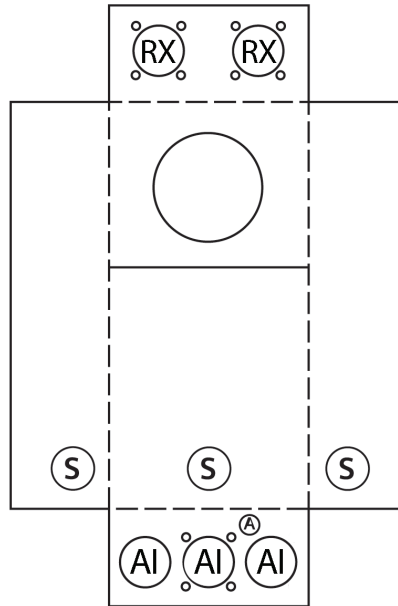


Figure 40

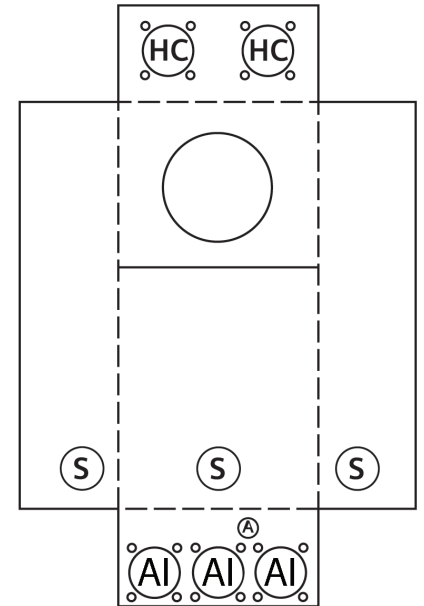


Figure 41

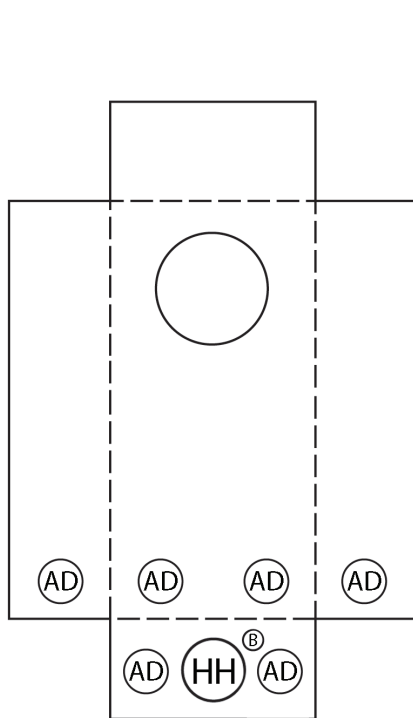


Figure 44

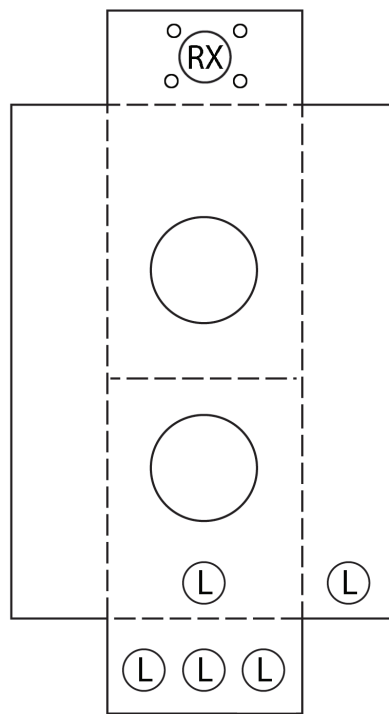


Figure 45

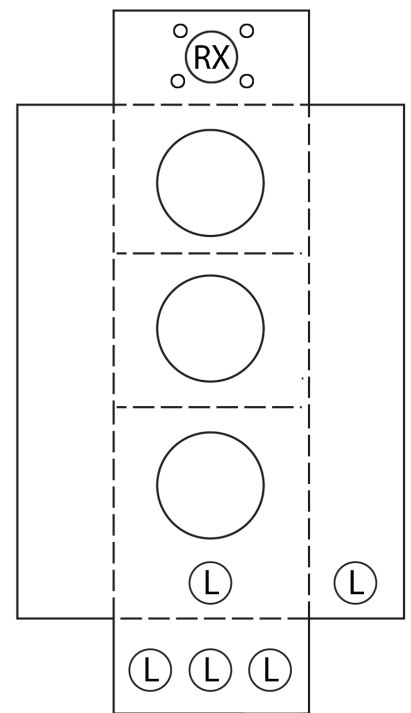
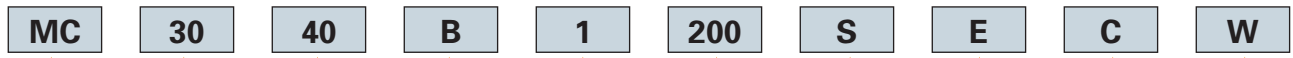


Figure 46

Meter Centers

Meter Combination Catalog Number Logic

Combination Meter Sockets



MM = Meter Main
MC = Meter Load Center Combination

Spaces
(max. No. of 1" breakers)

Circuits
(max. No. of circuits)

ML or **L** = Main Lug
MB or **B** = Main Breaker

1 = 1-Phase
3 = 3-Phase

Main Ampere
Rating

- F/S** = Flush / Surface Mounting
- R** = Ringless (blank = ring type)
- E** = EUSERC Approved
- D/C** = UG Feed Only / OH/UG feed
- J** = 5th Jaw
- B** = Horn Bypass
- A** = Aluminum Enclosure
- H** = Double Hub Provision
- L** = Lever Bypass Socket
- M** = Field Addable Sub Feed Main
- N** = OH Only Main Lug
- T** = Feed Thru Lugs
- W** = Wide Load Center Design
- X** = Larger Utility Section
- Z** = OH Feed, Load out Bottom Only

Special Suffixes:

- GA** = Georgia Power Compliant
- CS** = Comb. Feed with Test Block Bypass
- DS** = UG only Feed with Test Block Bypass
- E2** = Back-to-back EUSERC with External Disconnect and Internal Load Center
- EY** = Commercial Test Block Bypass with OH only Feed
- CEY** = Commercial Test Block Bypass with OH and UG Feed

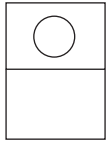
Meter Centers

Meter Combination Introduction

Welcome to the Combination Meter Socket Section. This section includes 4 product categories, which each include their own set of featured products. Look for the icons below to help explain the application and design of products on that page.

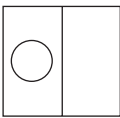
Meter Mains

Siemens Meter Mains are UL Listed and available from 100A to 400A services. These Meter Mains utilize a cost effective construction that is preferable in non-EUSERC areas.



Over-Under Construction

These Siemens Meter Mains feature a classic over-under construction. Available in 100A and 125A versions.

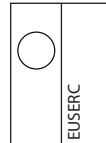


Side-By-Side Construction

These Meter Mains utilize a cost effective side-by-side construction. Meter Mains combine a socket to the left and main circuit breaker section to the right. The main breaker section includes 2 to 6 circuits.

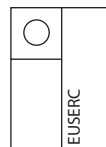
EUSERC Meter Mains

Siemens EUSERC Meter Mains are UL Listed and available from 100A to 400A services. These meter mains utilize designs that meet EUSERC requirements. Two constructions are available.



Side-By-Side Construction

These Siemens Meter Mains have a side-by-side construction that is slightly larger in order to meet EUSERC requirements.

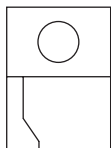


Side-By-Side 400A Construction

These Siemens Meter Mains have side-by-side construction that meets EUSERC design, and provide 400A service.

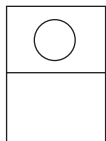
Meter Load Center Combinations

Siemens Meter Load Center Combinations offer several different configurations and include a meter socket section and a load center section. These combos feature a cost effective construction that is preferable in non-EUSERC areas.



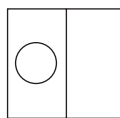
Over-Under Combination Construction

These Siemens Meter Load Center Combinations feature a over-under configuration with a unique trough allowing service from either overhead or underground to the device.



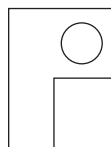
Over-Under Construction

These Siemens Meter Load Center Combinations feature a classic over-under construction, but are for overhead feed only.



Side-By-Side Construction

These Siemens Meter Load Center Combinations have a side-by-side configuration.



Off-set Meter Construction

These Siemens Meter Load Center Combinations feature an offset meter to increase room for pulling conductors.

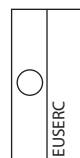
EUSERC Meter Load Center Combinations

Siemens Meter Load Center Combinations offer several different configurations to meet a variety of installer demands. These Siemens combos feature designs that meet EUSERC requirements.



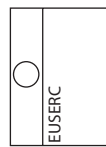
Over-Under Between the Studs Construction

These Combos have a full width load center section above, and a meter socket section below, in a 14.3" wide configuration that allows flush mounting between typical 16" on center stud construction. Surface mounting options available.



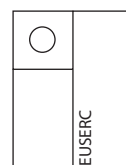
Side-By-Side Between the Studs Construction

These combos have a half width load center section to the right and a meter socket section to the left, in a 14.2" wide configuration that allows flush mounting between typical 16" on center stud construction. Surface mounting options available.



Side-By-Side Full Load Center Construction

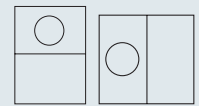
These Siemens Meter Load Center Combinations have a full width load center section to the right, and a meter socket section to the left. The overall width make this combo best suited for surface mounting.



Side-By-Side 400A Construction

These Siemens Meter Mains have side-by-side construction that meets EUSERC design, and provide 400A service. Available with 16 to 42 circuits.

Meter Centers



Surface Mount Meter-Mains, 1-Phase, 3-Wire 120/240V AC

METER CENTERS 2

- UL listed
- Pad locking provisions on all devices
- Horn bypass and 5th jaw available as noted
- Side hinged door with one screw removal where shown
- Suitable for use only as service entrance equipment
- 22,000 AIC rated, or as noted
- RX type (or) HD type hub provision on top end wall as noted
- Contact local utility to confirm meter socket placement prior to installation
- See end of section for dimensions and wiring diagrams



Catalog Number	Amp Rating (Cont.)	Utility Incoming	Bypass Type	No. of Spaces	No. of Circuits	Dimensions (inches)			Main Breaker	Short Circuit Rating	Hub Provision	5th Jaw	Cover Type
						H	W	D					

Meter-Main Breaker with Field Installed Breaker, Ring Style, 100-125amp

MM0202ML1100S ^①	100	OH	None	2	2	18.0	7.4	4.0	QP type	10,000	RX	—	Ring
MM0202ML1125H ^②	125	OH/UG				17.0	16.0	5.0	QP(H) type	22,000	2-RX	EC5J	Ring

Meter-Main Breaker with Factory Installed Breaker, 125-200amp (Side-by-Side construction)

MM0202B1150	150	OH/UG	None	2	2	17.0	16.0	5.0	QN2150H	22,000	RX	EMC5J	Ring
MM0202B1150R									Ringless				
MM0202B1200	200	OH/UG	None	2	2	17.0	16.0	5.0	QN2200H	22,000	RX	EMC5J	Ring
MM0202B1200R									Ringless				
MM0202B1125RJB	125	OH/UG	Horn Bypass	2	2	17.0	16.0	5.0	Q2125H	22,000	RX	Installed	Ringless
MM0202B1150RJB	150								Ringless				
MM0202B1200RJB	200								Ringless				
MM0202B1125RJBX	125								Ringless				
MM0202B1150RJBX	150								Ringless				
MM0202B1200RJBX	200								Ringless				

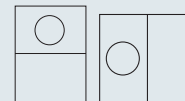
Meter-Main Breaker with Field Installed Main & Subfeed Breaker up to 200amp (Side-by-Side construction)

MM0406L1200GA	200	OH/UG	None	4	6	20.0	21.2	5.0	Main Lug	22,000	RX Cl. Plate	EMC5J	Ring
MM0406L1200H						19.8	17.2	5.0	1-QN or 2-QP type				Ringless
MM0406L1200RH													Ringless
MM0406L1200RGA													Ringless
MM0406L1200RHJB ^③			Ringless										
			Horn Bypass	17.2	5.0		Installed	Ringless					

① Over/Under

② Side-by-Side

③ Georgia Power approved



Meter Centers

Surface Mount Meter-Mains, 1-Phase, 3-Wire 120/240V AC

- UL listed
- Pad locking provisions on all devices
- Side hinged door with one screw removal where shown
- Suitable for use only as service entrance equipment
- 22,000 AIC rated, or as noted
- RX type (or) HD type hub provision on top end wall as noted
- Contact local utility to confirm meter socket placement prior to installation
- See end of section for dimensions and wiring diagrams

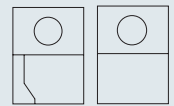


Catalog Number	Amp Rating (Cont.)	Utility Incoming	Bypass Type	No. of Spaces	No. of Spaces	Dimensions (inches)			Main Breaker	Short Circuit Rating	Hub Provision	5th Jaw	Cover Type			
						H	W	D								
Meter-Main Breaker with Lever Bypass, Ringless, 200-400amp (Side-by-Side construction)																
MM0202B1200JLX	200	OH/UG	HQ Lever Bypass	2	2	21.1	17.2	5.3	QN2200H	22,000	RX (Top) HC (Bot)	Installed	Ringless			
MM0202L1200JLX									Provision for QN, QP, MP-T, or MD-T Type							
MM0404B11515RL	320			UG	4	4	29	27	6		(2) QN2150RH	65,000		HD	H35815-2	Ringless
MM0404B12010RL											QN2200RH and Q2100H					
MM0404B1400RLM											(2) QN2200RH					
MM0404L1400RLM											(2) Provisions for QNR or QP Type					
MM0404L1400SDL					40	30	6.5	(2) Provisions for QN or QP Type	22,000		—					

Meter-Main Breaker with Lever Bypass, Ringless, 100-400amp (Over/Under construction)													
MM0202B1100RLC	100	OH/UG	HQ Lever Bypass	2	2	27	16	5	Q2100	22000	RX	Installed	Ringless
MM0202L1125RLC	125								Provision for QP or MP-T Type				
MM0202B1200RLC	200								QN2200H				
MM0202L1200RLC									Provision for QN, QP, MP-T, or MD-T Type				

Meter-Main Breaker with Lever Bypass, Ringless, 100-200amp, 3-phase (Over/Under construction)													
MM0303B3100RLC	100	OH/UG	HQ Lever Bypass	3	3	26	13.5	5.3	Q3100	10000	RX	—	Ringless
MM0303L3100RLC									Provision for QP or MP-T Type				
MM0303B3200RLC									200				





Meter Centers



Surface Mount, Over/Under Meter-Load Center Combination, 1-Phase, 3-Wire 120/240V AC

- UL listed
- Overhead and underground feed applications
- Load wires bottom or back exit only
- 22,000 AIC rated, or as noted
- Pad locking provisions on all devices
- Side hinge doors removable by backing out only one screw
- Suitable for use only as service entrance equipment
- Contact local utility to confirm meter socket placement prior to installation
- See end of section for dimensions and wiring diagrams

METER CENTERS 2

MC0606L1200R  200A, main lug, 6 circuit (Twelve 1" spaces), for use with up to six 2-pole breakers	MC0408B1150T  150 or 200A, main breaker, four 1" spaces, feed thru lugs provided	MC1020B1100S  100 or 200A, main breaker, 10 space, 20 circuit, overhead feed	MC2040B1200S  100 or 200A, main breaker, 20 space, 40 circuit, overhead feed
--	--	---	--

Catalog Number	Amp Rating (Cont.)	Utility Incoming	Bypass Type	No. of Spaces	No. of Circuits	Dimensions (inches)			Main Breaker	Short Circuit Rating	Hub Provision	5th Jaw	Cover Type
						H	W	D					

Meter-Load Center Combination, 125-200amp^③

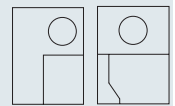
MC0408B1150T ^③	150	OH/UG	None	4	8	30.0	14.0	5.0	MBK150	22,000	RX	EC5J2	Ring										
MC0408B1150RT ^③									Ringless														
MC0408B1200T ^③									Ring														
MC0408B1200RT ^③	200	OH/UG	None	8	16	32.0	14.0	5.0	MBK200	22,000	RX	EC5J2	Ringless										
MC0816B1150CT ^③	150								Ring														
MC0816B1200CT ^③	200								Ringless														
MC0816B1150RCT ^③	150								Ring														
MC0816B1200RCT ^③	200								Ringless														
MC0816B1150RJBT ^③	150								Ringless														
MC0816B1200RJBT ^③	200								Ringless														
MC3042B1200RC	200								Horn				None	30	42	42.0	14.0	5.0	EQ9985	22,000	RX	EC5J2	Ringless
MC3042B1200RJB																			Installed				
MC0816B1150T ^③	150								OH				None	8	16	29.0	12.0	5.2	QN2150RH	22,000	RX	EMC5J	Ring
MC0816B1200T ^③		Ringless																					
MC0816B1200RT ^③		Ringless																					
MC0816B1200RTZ		Ringless																					
MC0816B1200RTB	200	Horn	None	8	16	32.0	14.0	5.0	EQ8695	22,000	RX	EC5J2	Ringless										
MC2040B1150RC	150	OH/UG	None	20	40	36.0	14.0	5.0	MBK150	22,000	RX	EC5J2	Ringless										
MC2040B1200RC	200								Ringless														
MC2040B1150RJBC	150								Ringless														
MC2040B1200RJBC	200								Ringless														
MC0606L1200R ^{①②}	200	OH/UG	None	12	6	27.0	14.0	5.0	Main Lug	22,000	RX	EC5J2	Ringless										
MC0606L1200RA ^{①②④}									Ringless														
MC0606L1200RJB ^{①②}									Ringless														
MC0606L1200RN									Ringless														

Over-Under Construction Meter Load Center Combinations^{⑥⑧}

Old Catalog Number	New Catalog Number	Amps Max	No. of Spaces	No. of Circuits	Cover Type	Mounting	Service	Bypass Type	Dimensions			Figure
									H	W	D	
JA1020B1100F	MC1020B1100F	100	10	20	Ring	Flush	OH	none	19.4	12.1	4.4	4
JA1020B1100S	MC1020B1100S					Surface						
—	MC1020B1100FZ ^⑦					Flush						
—	MC1020B1100SZ ^⑦					Surface						
JA2040B1200F	MC2040B1200F	200	20	40	Ring	Flush	OH	none	30.5	14.3	5.1	5
JA2040B1200S	MC2040B1200S					Surface						
—	MC2040B1200FZ ^⑦					Flush						
—	MC2040B1200SZ ^⑦					Surface						

- ① No main breaker provided. Accepts QN or QP type 2 or 4-pole breakers.
- ② Suitable for use as service entrance equipment when not more than six disconnecting means are provided and when not used as a lighting an appliance panel board.
- ③ Due to wire space restrictions on the trough side, the left side of the interior is limited to a 60A max branch.
- ④ Aluminum enclosure.
- ⑤ Feed thru lugs included.
- ⑥ Dimensional and other technical data is applicable for "New Catalog Numbers" ONLY.
- ⑦ Horizontal barrier installed—no top exit of load conductors allowed. Check with sales office for utility approved.
- ⑧ UL Listed for Siemens and Murray breakers.
- ⑨ Old Catalog Numbers JA1020B1100SP and JA2040B1200SP are obsolete with no replacement.

Meter Centers



Utility Specific, Over/Under Meter-Load Center Combination, 1-Phase, 3-Wire 120/240V AC

- UL listed
- Overhead and underground feed applications
- Load wires bottom or back exit only
- 22,000 AIC rated, or as noted
- Pad locking provisions on all devices
- Side hinge doors removable by backing out only one screw
- Suitable for use only as service entrance equipment
- Contact local utility to confirm meter socket placement prior to installation
- See end of section for dimensions and wiring diagrams



Catalog Number	Amp Rating (Cont.)	Utility Incoming	Bypass Type	No. of Spaces	No. of Circuits	Dimensions (inches)			Main Breaker	Short Circuit Rating	Hub Provision	5th Jaw	Cover Type
						H	W	D					

Meter-Load Center Combination, 150-200amp, Sidewire (Underground Feed Only)^②

MC0606L1200RAD ^③	200	UG	None	6	6	25.0	17.0	5.2	Main Lug	10,000	HC-bot	EC5J2	Ringless
MC0816B1200RTD ^④			None	8	16	29.0			MBK200	22,000			

Meter-Load Center Combination Approved for Georgia Power, 150-200A

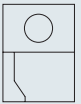
MC0408B1150RGA ^④	150	OH/UG	None	4	8	33.5	15.0	5.1	MBK150	22,000	RX-top, HC-bot	EC5J2	Ringless	
MC0408B1200RGA ^④	200								MBK200					
MC0606L1200RGA									Main Lug					
MC0816B1150RGA ^{③④}									150					MBK150
MC0816B1200RGA ^④									200					MBK200

① Suitable for use as service entrance equipment when not more than six disconnecting means are provided and when not used as a lighting an appliance panel board.

② Due to wire space restrictions on the trough side, the left side of the interior is limited to a 60A max branch.

③ Aluminum enclosure.

④ Feed thru lugs included.



Meter Centers

Lever Bypass, Over/Under Meter-Load Center Combo, 1-Phase, 3-Wire 120/240V AC

METER CENTERS 2

- UL listed
- Talon HQ lever bypass (heavy duty)
- 125-200 amp
- Overhead and underground feed applications
- Load wires bottom or back exit only
- 22,000 AIC rated, or as noted
- Pad locking provisions on all devices
- Side hinge doors removable by backing out only one screw
- Suitable for use only as service entrance equipment
- Contact local utility to confirm meter socket placement prior to installation
- See end of section for dimensions and wiring diagrams
- See page 2-42 for Solar Ready lever bypass
- See page 2-44 for 300-400A lever bypass



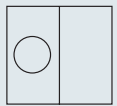
Catalog Number	Amp Rating (Cont.)	Utility Incoming	Bypass Type	No. of Spaces	No. of Circuits	Dimensions (inches)			Main Breaker	Short Circuit Rating	Hub Provision	5th Jaw	Cover Type
						H	W	D					

Meter-Load Center Combination, 125-200amp, Lever Bypass^①

MC0408B1200JLT	200	OH/UG	Lever	4	8	30.5	16.0	5.0	EQ9985	22,000	RX	Installed	Ringless
MC0816B1150JLT ^②	150		HQ	8	16	32.1	14.3	5.2	MBK150				
MC0816B1200JLT ^②	200		Lever Bypass						MBK200				
MC1224B1125JLC	125		OH/UG	HQ Lever Bypass	12	24	36.1	14.3	5.2		MBK125		
MC1224B1200JLC	200										MBK200		
MC2040B1150JLC	150	MBK150											
MC2040B1200JLC	200	OH/UG	HQ Lever Bypass	20	40	42.1	14.3	5.2	MBK200	RX-top, HC-bot	Installed	Ringless	
MC3042B1200JLC				30	42				MBK200				

① Due to wire space restrictions on the trough side, the left side of the interior is limited to a 60A max branch.

② Feed thru lugs included.



Meter Centers

Surface Mount, Side-by-Side Meter-Load Center Combination, 1-Phase, 3-Wire 120/240V AC

- UL listed
- 22,000 AIC Rated
- Pad locking provisions on all devices
- Side hinge doors removable by backing out only one screw
- Suitable for use only as service entrance equipment
- Contact local utility to confirm meter socket approval prior to installation
- See end of section for dimensions and wiring diagrams



Catalog Number	Amp Rating (Cont.)	Utility Incoming	Bypass Type	No. of Spaces	No. of Circuits	Dimensions (inches)			Main Breaker	Short Circuit Rating	Hub Provision	5th Jaw	Cover Type
						H	W	D					

Meter-Load Center Combination, 150-200amp, Full Loadcenter Width

MC0816B1150TH [Ⓞ]	150	OH/UG	None	8	16	21.0	22.9	5.0	QN2150RH	22,000	2-RX	EMC5J	Ring
MC0816B1200TH [Ⓞ]	200								QN2200RH				
MC0816B1150RTH [Ⓞ]	150								QN2150RH				Ringless
MC0816B1200RTH [Ⓞ]	200								QN2200RH				
MC1224B1125	125	OH/UG	None	12	24	16.0	22.89	5.0	Q2125H	22,000	RX	EMC5J	Ring
MC1224B1125R	125								EQ9575/ EQ9677		RX-top HC-bot	EC5J2	Ringless
MC2040B1150	150	OH/UG	None	20	40	18.0	22.9	5.0	QN2150RH	22,000	RX	EMC5J	Ring
MC2040B1200	200								QN2200RH				
MC2040B1150R	150								QN2150RH				Ringless
MC2040B1200R	200			QN2200RH									
MC3040B1200R				30	40	24	23.5	5.3	QN2200RH				
MC4040B1200R				40	40	28	23.5	5.3	QN2200RH				

Meter-Load Center Combination, 350-400amp, Lever Bypass

MC0408B1400RLTM [Ⓞ]	320	OH/UG	HQ Lever	4	8	29.0	27.0	6.0	QN2200H	22,000	HD	H35815-2	Ringless
MC0816B1350RLTM [Ⓞ]				8	16				QN2150H				
MC0816B1400RLTM [Ⓞ]				8	16				QN2200H				

Meter-Load Center Combination, 400amp, Lever Bypass, Underground Feed Only

MC0816B1400SDL	320	UG	HQ Lever	8	16	39.7	30.2	6.4	(1) QN & Provisions for (1)QN or (1)QP	22,000	HD	H35815-2	Ringless
MC2442B1400SDL				24	42	39.5	30.3	6.0	JXD22B400				
MC3042B1400SDL				30	42	39.7	30.2	6.4	(1) QN & Provisions for (1)QN or (1)QP				

Meter-Load Center Combination, 400amp, K4 Bolt-In Meter Socket, Underground Feed Only

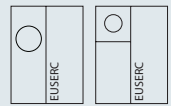
MC2442B1400SDB	400 [Ⓞ]	UG	Bolt In K4 No Bypass	24	42	39.7	30.2	6.4	JXD22B400	22,000	HD	—	Ringless
MC3042B1400SDB				30	42				Factory QN2200RH Field QP(H), QNR(H)				

[Ⓞ] Feed thru lugs included.

[Ⓞ] Bolt-in meter socket. This device should not be confused with class 320amp lever bypass devices. Device can not be converted to lever bypass. Installer should ensure device approval prior to installation.

Meter Centers

Revised on 03/31/18



EUSERC Compliant Side-by-Side Meter-Main Breaker, 1-Phase, 3-Wire 120/240V AC

- UL listed
- Designed to meet EUSERC standards
- Underground Feed Applications (some with OH provisions)
- Load wiring may exit top or bottom
- 22,000 AIC Rated
- Pad locking provisions on all devices
- Surface and semi-flush units available
- Side hinge door removable by backing out only one screw
- Suitable for use only as service entrance equipment
- Contact local utility to confirm meter socket approval prior to installation
- See end of section for dimensions and wiring diagrams

METER CENTERS 2



EUSERC Compliant Meter-Main Breaker, Factory and Field Options listed, 125-200amp^{③④}

Old Cat Number	New Cat Number	Utility Incoming	By-pass Type	No. of Spaces	No. of Circuits	Dimensions			Main Breaker	Short Circuit Rating	Mounting	Hub Provisions	5th Jaw	Cover Type
						H	W	D						
MM0406L1125FEC	MM0202L1125EFC ^{③④}	OH/UG	none	2	2	23.6	14.5	5	Provision for QP or MP-T type	22,000	Flush	RX (top) / HC (bot)	EMC5J	Ring
MM0406L1125SEC	MM0202L1125ESC ^①										Surface			
MM0406L1200FEC	MM0202L1200EFC ^①	OH/UG	none	2	2	28.6	14.5	7	Provision for QN, QP, MD-T, or MP-T type	22,000	Flush	RX (top) / HC (bot)	EMC5J	Ring
MM0406L1200SEC	MM0202L1200ESC ^①										Surface			
N/A	MM0202B1100ESC	OH/UG	none	2	2	23.6	14.5	5	Q2100H	22,000	Surface	RX (top) / HC (bot)	EMC5J	Ring
N/A	MM0202B1200ESC								QN2200H					

Catalog Number	Amp Rating (Cont.)	Utility incoming	Bypass Type	No. of Spaces	No. of Circuits	Dimensions (in.)			Main Breaker	Short Circuit Rating	Mounting	Hub Provision	5th Jaw	Cover Type
						H	W	D						

EUSERC Compliant Meter-Main Breaker, Field Installed Main Main Breakers, 400amp max. (1)

MM0404L1400SC	320	OH/UG	None	4	2	39.7	33.2	6.5	(2) Provisions for QNR or QP Type	22,000	Surface	HD (top) / HD (bot)	—	Ring
MM0404L1400FD		UG				39.7	30.2	7.4			Flush	HD (bot)		
MM0404L1400SCS		OH/UG	Manual			39.7	33.2	6.5			Surface	HD (top) / HD (bot)		
MM0404L1400FDS		UG				39.7	30.2	7.4			Flush	HD (bot)		

EUSERC Compliant Meter-Main Breaker, Single Main Disconnect, 400amp max.

MM0202B1400SC	320	OH/UG	None	0	0	40	33.2	6.5	JXD22B400	22,000	Surface	HD (top) / HD (bot)	—	Ring
MM0202B1400SD		UG				40	30.2	6.5						
MM0202B1400SCS		OH/UG	Manual			40	33.2	6.5						
MM0202B1400SDS		UG				40	30.2	6.5						
MM0202B1400SCL		OH/UG	Lever			40	33.2	6.5						
MM0202B1400SDL		UG				40	30.2	6.5						

① Main breaker not included.
② Flush adjustable for 2x4 walls only.

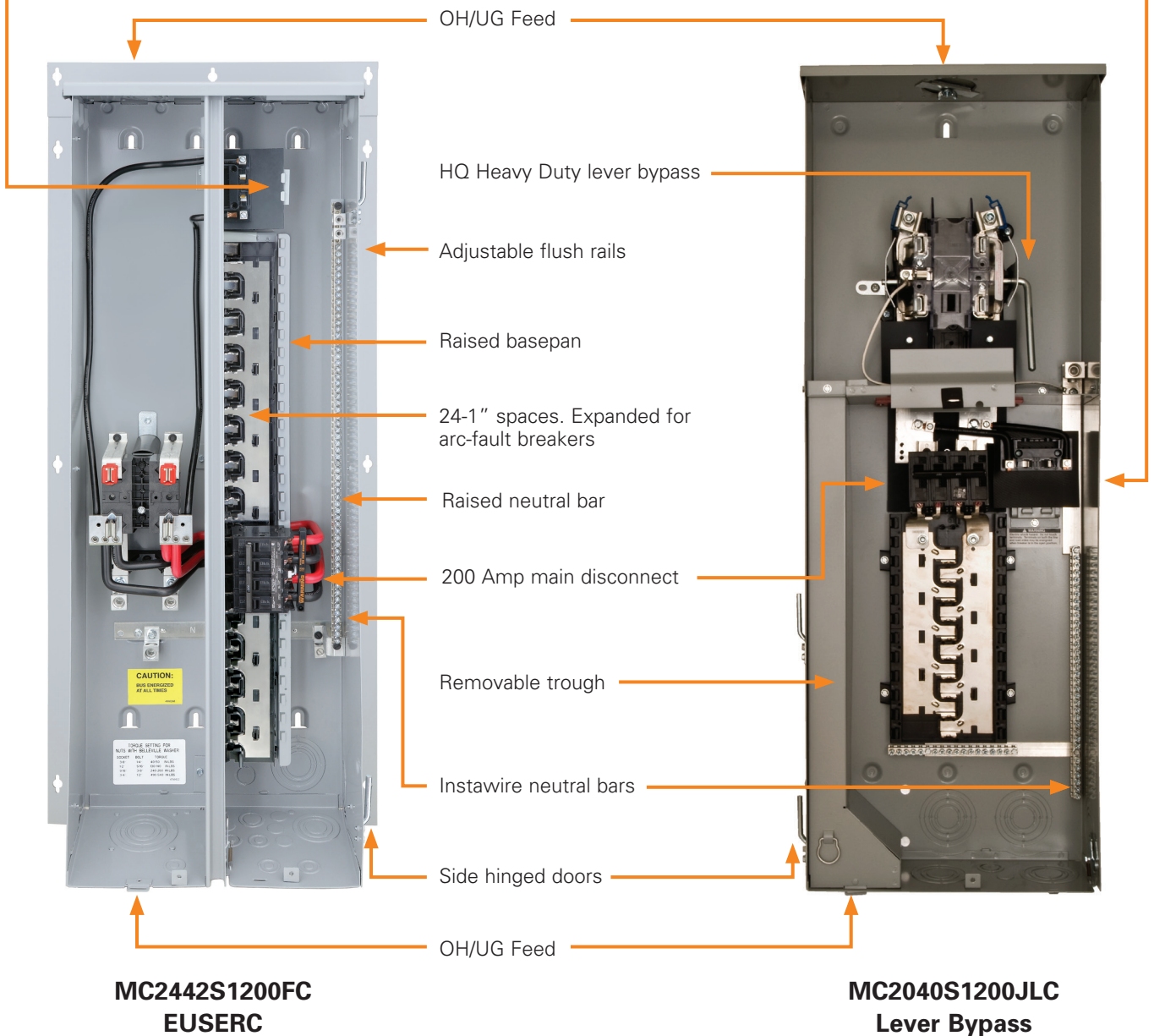
③ Dimensional and other technical data is applicable for "New Catalog Numbers" ONLY.
④ UL Listed for Siemens and Murray breakers.

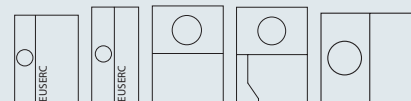
Meter Centers

SOLAR Ready, Meter-Load Center Combination Overview

Wide Variety of meter socket configurations are available. Lever Bypass and EUSERC configurations shown.

- 60 amp maximum input
- Dedicated alternative energy input
- Power feeds ahead of service disconnect on load side of meter socket
- Eliminates need to de-rate main breaker/bussing



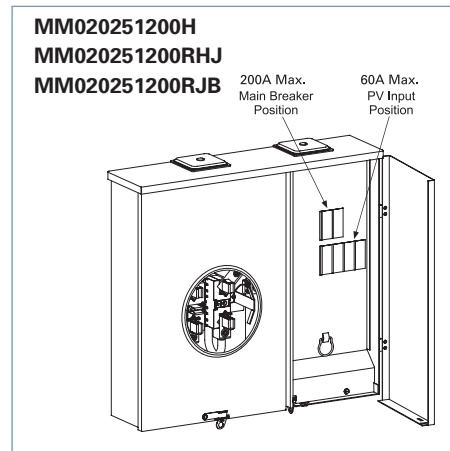
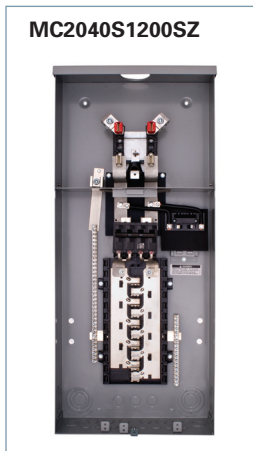


Meter Centers

SOLAR Ready, Meter-Load Center Combination, 1-Phase, 3-Wire 120/240V AC

- UL listed
- For overhead and underground feed applications
- 22,000 AIC Rated
- Pad locking provisions on all devices
- Surface and semi-flush units available - semi flush rails are depth adjustable for 2x6 studs
- Side hinge door removable by backing out only one screw
- Load wiring may exit top or bottom
- Suitable for use only as service entrance equipment
- Ring and Ringless type meter covers
- Contact local utility to confirm meter socket approval prior to installation
- See end of section for dimensions and wiring diagrams
- Devices accept Siemens & Murray circuit breakers

METER CENTERS 2



Catalog Number	Amp Rating (Cont.)	Aux. Input Max./ Breaker Type	Utility Incoming	Bypass Type	No. of Spaces	No. of Circuits	Dimensions (inches)			Main Breaker	Short Circuit Rating	Hub Provision	5th Jaw	Cover Type
							H	W	D					

EUSERC Compliant Meter-Load Center Combination, 200amp with Alternate Energy Input & Full Load Center Width (Side-by-Side Construction)

MC3040S1200SC	200	100A / QP(H) MP-(H)T	OH/UG	None	30	40	35.7	21.0	5.1	QN2200RH	22,000	RX-top, HC-bot	EMC5J	Ring
MC4040S1200SC					40	40								

EUSERC Compliant Meter-Load Center Combination, 200amp with Alternate Energy Input, Between Studs Width (Side-by-Side Construction)

MC0816S1200SCT [Ⓢ]	200	60A / QP(H) MP-(H)T	OH/UG	None	8	16	40.7	14.5	7.1	MBK200	22,000	RX-top, HC-bot	EMC5J	Ring
MC2442S1200SC		100A / QP(H) MP-(H)T			24	42	40.7	14.5	7.1					
MC2442S1200FC [Ⓢ]														

Meter-Load Center Combination, 200amp with Alternate Energy Input, Overhead Feed Only (Over/Under Construction)

MC2040S1200SZ	200	100A / QP(H) MP-(H)T	OH	None	20	40	32.7	14.4	4.3	MBK200	22,000	RX	EC659-0121	Ring
---------------	-----	----------------------	----	------	----	----	------	------	-----	--------	--------	----	------------	------

Meter-Load Center Combination, 200amp, Lever Bypass with Alternate Energy Input (Over/Under Construction)

MC2040S1200JLC	200	60A / QP(H) MP-(H)T	OH/UG	HQ Lever Bypass	20	40	40.1	14.4	5.2	MBK200	22,000	RX-top, HC-bot	Installed	Ring-less
----------------	-----	---------------------	-------	-----------------	----	----	------	------	-----	--------	--------	----------------	-----------	-----------

Meter Mains – Non-EUSERC, 200amp with Alternate Energy Input (60A max) and Ring Type Cover (Side-by-Side Construction)

MM0202S1200H	200	QP, QPH & others	OH/UG	None	2	2	19.7	21.3	5.2	QN, QP & others	22,000	RX-top, HC-bot	EMC5J	Ring
--------------	-----	------------------	-------	------	---	---	------	------	-----	-----------------	--------	----------------	-------	------

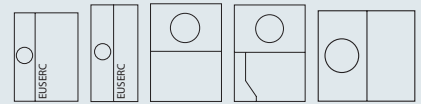
Meter Mains – Non-EUSERC, 200amp with Alternate Energy Input (60A max) and Ringless Type Cover (Side-by-Side Construction)

MM0202S1200RHJ	200	QP, QPH & others	OH/UG	None	2	2	19.7	21.3	5.2	QN, QP & others	22,000	RX-top, HC-bot	EMC5J	Ring-less
MM0202S1200RJB				Horn										

Ⓢ Semi flush device.

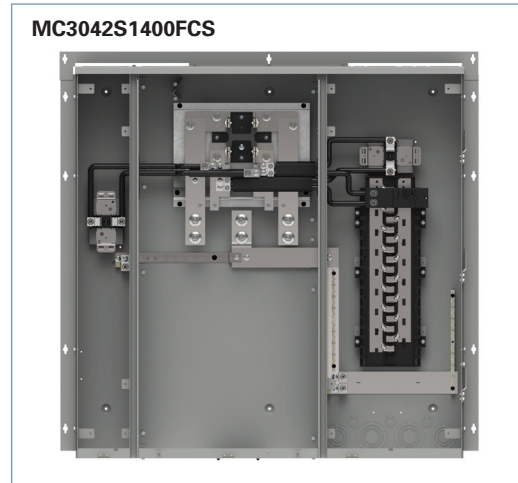
Ⓢ Feed thru lugs included.

Meter Centers



SOLAR Ready, Meter-Load Center Combination, 1-Phase, 3-Wire 120/240V AC

- UL listed
- For overhead and underground feed applications
- 22,000 AIC Rated
- Surface and semi-flush units available
- Suitable for use only as service entrance equipment
- Ring and Ringless type meter covers
- Contact local utility to confirm meter socket approval prior to installation
- Dedicated 200A auxiliary input provision for field installation of up to a 200A PV breaker



Catalog Number	Amp Rating (Cont.)	Aux. Input Max./ Breaker Type	Utility Incoming	Bypass Type	No. of Spaces	No. of Circuits	Dimensions (inches)			Main Breaker	Short Circuit Rating	Hub Provision	5th Jaw	Cover Type
							H	W	D					

Meter-Load Center Combination, 400amp, Up to 200amp Alternate Energy Input, Lever Bypass

MC3042S1400SCL	320	200A / QN QP	OH/UG	Lever	30	42	39.6	39.3	7.5	QN2200RH	22,000	HD	—	Ringless
MC3042S1400FCL							41.1	42.3	8.5					

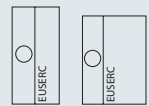
EUSERC & CA Title 24 Compliant Meter-Load Center Combination, 400amp, Up to 200amp Alternate Energy Input, Manual Bypass

MC3042S1400SCS	320	200A / QN QP	OH/UG	Manual	30	42	39.6	39.3	7.5	QN2200RH	22,000	HD	—	Ring
MC3042S1400FCS							41.1	42.3	8.5					
MC3042S1400SDS	320	200A / QN QP	UG	Manual	30	42	39.6	39.3	7.5	QN2200RH	22,000	HD	—	Ring
MC3042S1400FDS							41.1	42.3	8.5					

EUSERC & CA Title 24 Compliant Meter-Load Center Combination, 400amp, Up to 200amp Alternate Energy Input

MC3042S1400SC	320	200A / QN QP	OH/UG	None	30	42	39.6	39.3	7.5	QN2200RH	22,000	HD	—	Ring
MC3042S1400FC							41.1	42.3	8.5					
MC3042S1400SD	320	200A / QN QP	UG	None	30	42	39.6	39.3	7.5	QN2200RH	22,000	HD	—	Ring
MC3042S1400FD							41.1	42.3	8.5					

© Flush rail kit available: Part Number ECFRK3.

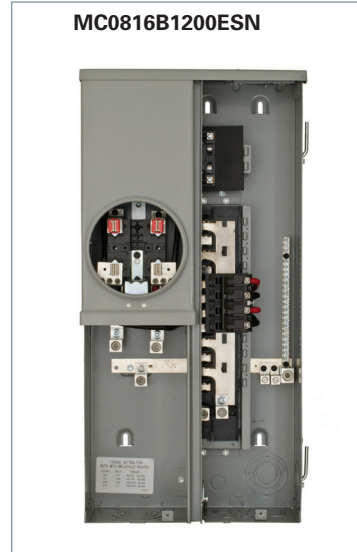


Meter Centers

EUSERC Compliant Side-by-Side Meter-Load Center Combination, 1-Phase, 3-Wire 120/240V AC

METER CENTERS 2

- UL Listed
- 100A-225A Continuous Rating as noted
- Load center options include 8 space panel with feed through lugs and 12, 16, 24, 30 and 40 space panels
- 22,000 AIC Rated
- 5th Jaw available as noted
- Factory installed semi flush mount option
- Suitable for use only as service entrance equipment
- Raised interior for ease of wiring
- Raised neutral for ease of wiring
- Convertable OH/UG
- Contact local utility to confirm meter socket acceptance prior to installation
- See end of section for knock out diagrams and wiring schematics
- See page 2-42 for Solar Ready options



EUSERC Compliant Meter-Load Center Combination, 100-125amp^{②④⑥⑧}

Old Cat Number	New Cat Number	Utility Incoming	By-pass Type	No. of Spaces	No. of Circuits	Dimensions			Main Breaker	Short Circuit Rating	Mounting	Hub Provisions	5th Jaw	Cover Type
						H	W	D						
MC1224B1100FEC	MC1224B1100EFC	OH/UG	none	12	24	23.6	14.5	5	Q2100H	22,000	Flush	RX (top) / HC (bot)	EMC5J	Ring
MC1224B1100SEC	MC1224B1100ESC										Surface			
MC1224B1125FEC	MC1224B1125EFC	OH/UG	none	12	24	23.6	14.5	5	Q2125H	22,000	Flush	RX (top) / HC (bot)	EMC5J	Ring
MC1224B1125SEC	MC1224B1125ESC										Surface			

EUSERC Compliant Meter-Load Center Combination, 200-225amp^{②⑥⑦⑧}

MC2442B1200FEC	MC2040B1200EFC ^⑤	OH/UG	none	20	40	31.0	14.5	7.0	EQ9985	22,000	Flush	RX (top) / HC (bot)	EMC5J	Ring
MC2442B1200SEC	MC2040B1200ESC							5.0			Surface			
MC2442B1225FEC	MC2442B1225EFC ^⑤	OH/UG	none	24	42	35.0	14.5	7.0	EQ9986	22,000	Flush	RX (top) / HC (bot)	EMC5J	Ring
MC2442B1225SEC	MC2442B1225ESC							5.0			Surface			
—	MC2442B1200EFV ^⑥	OH/UG	none	24	42	36.5	17.3	EQ9986	22,000	22,000	Flush	HC (bot)	EMC5J	Ring
—	MC2442B1200ESV ^⑥						14.3				5.4			
MC0816B1200SCT	MC0816B1200EST ^①	OH/UG	none	8	16	29.75	14.5	5.0	EQ9985	22,000	Surface	RX (top) / HC (bot)	EMC5J	Ring

EUSERC Compliant Meter-Load Center Combination, 200 amp with 50amp Subfeed Provision^{⑥⑧}

MC0816B1200FCTM	MC0816B1200EFN ^⑤	OH/UG	none	8	16	29.75	14.5	7.0	EQ9985	22,000	Flush	RX (top) / HC (bot)	EMC5J	Ring
MC0816B1200SCTM	MC0816B1200ESN							5.0			Surface			

EUSERC Compliant Meter-Load Center Combination, 200amp, Full Load Center Width^③

Catalog Number	Utility Incoming	By-pass Type	No. of Spaces	No. of Circuits	Dimensions			Main Breaker	Short Circuit Rating	Mounting	Hub Provisions	5th Jaw	Cover Type
					H	W	D						
MC3040B1200SECW	OH/UG	none	30	40	32.3	21.0	5.2	QN2200RH	22,000	Surface	RX (top) / HC (bot)	EMC5J	Ring
MC4040B1200SECW			40	40	32.3	21.0	5.2						

① Feed thru lugs included.

② Devices are EUSERC compliant for field modification from factory UG to OH feed.

③ Flush rail kits available.

④ Flush rails adjustable for 2x4 walls only.

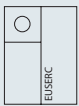
⑤ Flush rails adjustable for up to 2x6 walls.

⑥ Dimensional and other technical data is applicable for "New Catalog Numbers" ONLY.

⑦ Old Catalog Numbers MC1632B1100FEC, MC1632B1100SEC, MC1632B1125FEC and MC0816B1200FCT are obsolete with no replacement.

⑧ UL Listed for Siemens and Murray breakers.

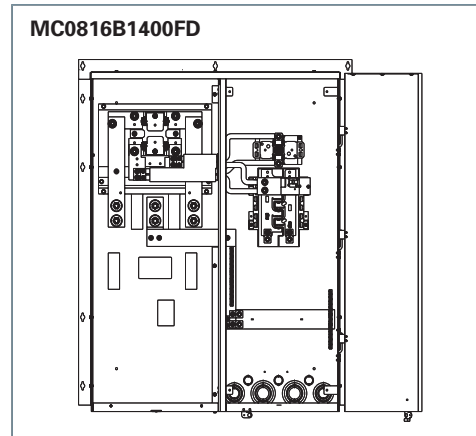
⑨ Bus Rated 225A.



Meter Centers

EUSERC Compliant Side-by-Side Meter-Load Center Combination, 1-Phase, 3-Wire 120/240V AC

- UL Listed
- 400A Max, 320A Continuous
- Meter socket options include 320A (400A max), non-bypass and test block bypass
- Load center options include 8 space panel and 24-30 space panels
- 22,000 AIC Rated
- Factory installed flush mount option
- Surface mount devices accept field added flush rails
- Suitable for use only as service entrance equipment
- Contact local utility to confirm meter socket acceptance prior to installation
- See end of section for knock out diagrams and wiring schematics



Catalog Number	Amp Rating (Cont.)	Utility Incoming	Bypass Type	No. of Spaces	No. of Circuits	Dimensions (inches)			Main Breaker	Short Circuit Rating	Mounting	Hub Provision	5th Jaw	Cover Type
						H	W	D						

EUSERC Compliant Meter-Load Center Combination, 400amp max. with 200amp Subfeed Provision^②

MC0816B1400SC ^①	320	OH/UG	None	8	16	39.7	33.2	6.4	Factory installed QN2200RH & Field Installed secondary QP(H) or QNR(H)	22,000	Surface	HD (top) HC (bot)	—	Ring
MC0816B1400FD ^①		UG					30.2	7.4			Flush	HC (bot)	—	
MC3042B1400SC		OH/UG	None	30	42	39.7	33.2	6.4		22,000	Surface	HD (top) HC (bot)	—	
MC3042B1400SD		UG					30.2	6.4			Flush	HC (bot)	—	
MC3042B1400FD							30.2	7.4						
MC4040B1200SC			OH/UG	None	40	40	42	33.2		6.5	22,000	Surface	HD (top) HC (bot)	—
MC4040B1200SD	UG	42	30.2				6.5							

EUSERC Compliant Meter-Load Center Combination, 400amp max. with 400amp Main Breaker^②

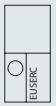
MC2442B1400SD	320	UG	None	24	42	39.7	30.2	6.6	Factory JXD6	22,000	Surface	HD (top) HC (bot)	—	Ring
---------------	-----	----	------	----	----	------	------	-----	--------------	--------	---------	----------------------	---	------

EUSERC Compliant Meter-Load Center Combination with Test Block Bypass, 400amp max. with 200amp Subfeed Provision^②

MC0816B1400SCS ^①	320	OH/UG	Test Block	8	16	39.7	33.2	6.4	Factory QN2200RH & Field secondary QP(H) or QNR(H)	22,000	Surface	HD (top) HC (bot)	—	Ring	
MC0816B1400FDS ^①		UG					30.2	7.4			Flush	HC (bot)	—		
MC2442B1400SDS		UG	Manual	24	42	40.0	30.0	6.5		Factory JXD	22,000	Flush	HD		—
MC3042B1400SCS		OH/UG	Test Block	30	42	39.7	33.2	6.4		Factory QN2200RH & Field secondary QP(H) or QNR(H)	22,000	Surface	HD (top) HC (bot)		—
MC3042B1400SDS							30.2	6.4							—
MC3042B1400FDS		UG					30.2	7.4						Flush	HC (bot)

① Feed thru lugs included.
② Line side lugs not included.

Meter Combinations



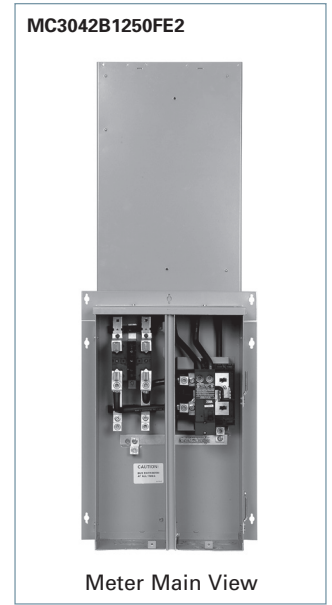
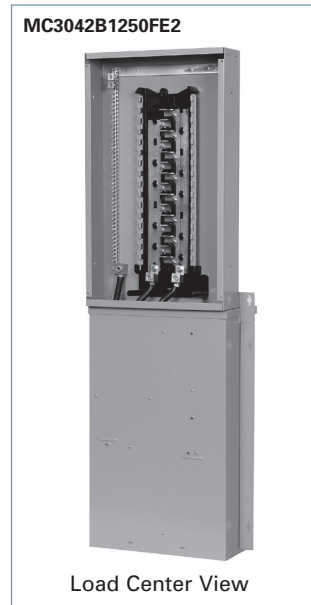
EUSERC Compliant Over/Under Meter-Load Center Combination, 1-Phase, 3-Wire 120/240V AC

General

- UL Listed
- Back to Back design – Meter section faces outdoor, load center faces indoor
- 22,000 AIC rated
- Suitable for use only as service entrance equipment
- See end of section for dimensions and wiring diagrams

Meter Section

- Designed to meet EUSERC standards
- Flush mounting enclosure, adjustable for 2x4 or 2x6 stud applications
- Underground feed applications only
- Pad locking provisions on all devices
- Side hinge doors removable by backing out only one screw
- Contact local utility to confirm meter socket approval prior to installation



Catalog Number	Amp Rating (Cont.)	Utility Incoming	Bypass Type	No. of Spaces	No. of Circuits	Dimensions (inches)			Main Breaker	Short Circuit Rating	Mounting	Hub Provision	5th Jaw	Cover Type
						H	W	D						

EUSERC Compliant Meter-Load Center Combination, 200-225amp (Over/Under Construction)^④

Catalog Number	Amp Rating	Utility Incoming	Bypass Type	No. of Spaces	No. of Circuits	H	W	D	Main Breaker	Short Circuit Rating	Mounting	Hub Provision	5th Jaw	Cover Type
MC1212L1200SED ^{①②}	200	UG	None	12	12	38.4	14.4	7.4	NA	22,000	Surface	RX (top) HC (bot)	EMC5J	Ring
MC1212L1200FED ^{①②}											Flush	HC (bot)		
MC2040B1200SED	200	UG	None	20	40	41.9	14.4	7.4	MBK200A		Surface	RX (top) HC (bot)		
MC2040B1200FED											Flush	HC (bot)		
MC3042B1200SED	200	UG	None	30	42	48.4	14.4	7.4	MBK200A	22,000	Surface	RX (top) HC (bot)		
MC3042B1200FED											Flush	HC (bot)		
MC3042B1225SED	225								MBK225A		Surface	RX (top) HC (bot)		
MC3042B1225FED											Flush	HC (bot)		

EUSERC Compliant Meter-Load Center Combination with Interior Load Center, 250amp (Back-to-Back Construction)^{③⑤}

Catalog Number	Amp Rating	Utility Incoming	Bypass Type	No. of Spaces	No. of Circuits	H	W	D	Main Breaker	Short Circuit Rating	Mounting	Hub Provision	5th Jaw	Cover Type
MC2442B1250FE2	200	UG	None	24	42	47.4	14.4	7.8	QNH	22,000	Flush	HC	—	Ring
MC3042B1250FE2				30										

① No main breaker provided. Accept QN or QP type 2 or 4-pole breakers.

② Suitable for use as service entrance equipment when not more than six disconnecting means are provided and when not used as a lighting or appliance panel board.

③ Load wires exit top only.

④ Load wires exit top or back.

⑤ Provisions for up to 50A secondary main breaker.

EUSERC Commercial Metering

Commercial Type BY Meter-Main Combinations



Design/Performance Features

- Outdoor/Indoor—one design for either installation.
- Ring Type—meets requirements for various ring type locking provisions.
- Test Block Bypass Installed—easy servicing without interruption.
- Main Breaker Field Installed—adaptable to the job.
- Main T-Fuse puller factory installed (less fuses)—adaptable to the job.
- Contact local utility to confirm meter socket approval prior to installation

Industry Specifications

- EUSERC – SEC #300
- 240V rated
- 100A and 200A models
- Up to 100,000 AIC when using fuses

Ring Type Commercial Meter-Disconnect Combinations with Test Block Bypass

240V AC Max		Tenant Main ^①	CB or Fuse Provision	Service	Jaws	Catalog Number	Service Feed	Dimensions (inches)			KO Fig.	Wire Range AL/CU	Hub Provision
Amps Cont. Duty	Max AIC							Height	Width	Depth			
100	65,000	Circuit Breaker Provision	QP/QPH/HQP	1Phase-3 Wire	4	MM0202L1100EY	OH	37.0	12.5	4.9	BY-1	#6-2/0	RX
				3 Phase-4 Wire	7	MM0303L3100EY	OH	37.0	12.5	4.9	BY-1	#6-2/0	
	100,000	T-Fuse Puller	Class T 300V	1 Phase-3 Wire	4	MM0202F1100EY	OH	37.0	12.5	4.9	BY-1	#6-2/0	RX
					4	MM0202F1100CEY	OH/UG	24.0	20.2	4.9	BY-3	#6-2/0	
				3Phase-4 Wire	7	MM0303F3100EY	OH	37.0	12.5	4.9	BY-1	#6-2/0	
					7	MM0303F3100CEY	OH/UG	24.0	20.2	4.9	BY-3	#6-2/0	
200	35,000	Circuit Breaker Provision	QJ2/QJH2/QJ2H/HQJ2H	1 Phase-3 Wire	4	MM0202L1200EY	OH	45.0	14.3	6.4	BY-2	#1/0-250 kcmil	HC
					4	MM0202L1200CEY	OH/UG	30.0	24.3	6.4	BY-4	#1/0-250 kcmil	
				3 Phase-4 Wire	7	MM0303L3200EY	OH	45.0	14.3	6.4	BY-2	#1/0-250 kcmil	
					7	MM0303L3200CEY	OH/UG	30.0	24.3	6.4	BY-4	#1/0-250 kcmil	
	100,000	T-Fuse Puller	Class T 300V	1 Phase-3 Wire	4	MM0202F1200EY	OH	45.0	14.3	6.4	BY-2	#1/0-250 kcmil	HC
					4	MM0202F1200CEY	OH/UG	30.0	24.3	6.4	BY-4	#1/0-250 kcmil	
				3 Phase-4 Wire	7	MM0303F3200EY	OH	45.0	14.3	6.4	BY-2	#1/0-250 kcmil	
					7	MM0303F3200CEY	OH/UG	30.0	24.3	6.4	BY-4	#1/0-250 kcmil	

① Breaker/fuses not included.

EUSERC Commercial Metering

Commercial Type BY Meter-Load Center Combinations



Design/Performance Features

- Outdoor/Indoor—one design for either installation.
- Ring Type—meets requirements for various ring type locking provisions.
- Test Block Bypass Installed—easy servicing without interruption.
- Main Breakers Factory Installed.
- Main T-Fuse Pullers Factory Installed (less fuses).
- Compact wall-hung design reduces material and labor costs.
- 240V rated
- 100A and 200A models
- Contact local utility to confirm meter socket approval prior to installation

Ring Type Commercial Meter-Load Center Combinations with Test Block Bypass

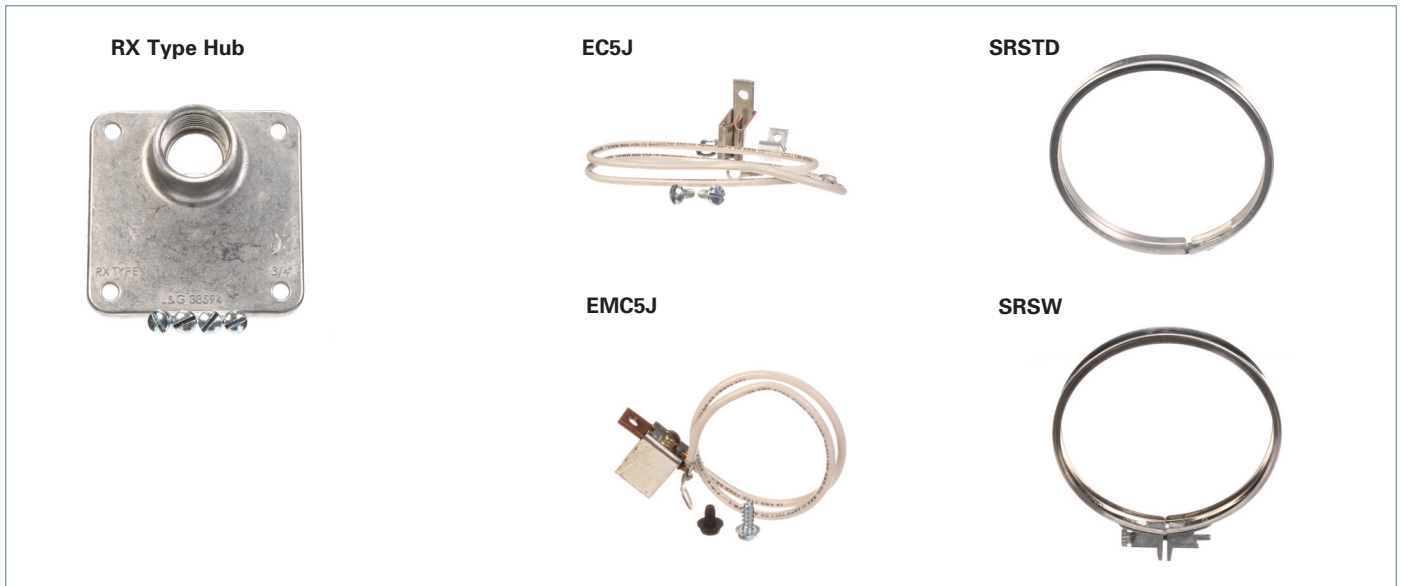
240 V AC Max.		No. of Spaces	Max. Circuits	Service	Catalog Number	AIC Rating		Dimensions (inches) ^①			Hub Prov.	Wire Range AL/CU	KO Fig.
Amps Cont. Duty	Main Type					STD. AIC	MAX AIC	Height	Width	Depth			
1 Phase—3 Wire, 4 Jaws, Factory Installed Main Breaker^①													
100	Q2100 installed	10	20	OH	MC1020B1100EY ^②	10,000	65,000	36.0	12.5	4.9	RX	#6-2/0	BY-7
		12	24	OH/UG	MC1224B1100CEY ^②	10,000	42,000	24.0	20.2	4.9	RX	#6-2/0	BY-8
200	QN2200RH installed	24	40	OH/UG	MC2440B1200CEY ^②	10,000	22,000	30.0	25.8	6.4	HC	#1/0-250 kcmil	BY-9
3 Phase—4 Wire, 7 Jaws, Factory Installed T-Fuse Puller^③													
100	Class T 300V Provision	18	30	OH/UG	MC1830F3100CEY	100,000	100,000	26.0	24.3	4.9	RX	#6-2/0	BY-10
200		24	42	OHUG	MC2442F3200CEY	100,000	100,000	42.0	27.3	6.4	HC	#1/0-250 kcmil	BY-9

BY Combo Accessories

Description	Catalog Number
Hubs Conduit Size	
1"	EC38596
1½"	EC38597
1½"	EC38598
2"	EC38599
2"	ECHC200
2½"	EC38600
2½"	ECHC250
3"	ECHC300
Closure Plates	EC38595 ECHC000
Adapter Plates Bottom Only	ECHCRXA

Description	Catalog Number
Fifth Jaw 100A 200A	UX001WL UX005B

① See accessories above for available 5th jaws.
 ② UL Listed to field change main breaker to higher AIC.
 ③ Fuses not included.



Interchangeable Hubs

Conduit Size (Inches) Lbs.	Catalog Number
----------------------------	----------------

RX Type Hubs

3/4	EC38594
1	EC38596
1 1/4	EC38597
1 1/2	EC38598
2	EC38599
2 1/2	EC38600

HD Type Hubs

2	EC56854
2 1/2	EC56855
3	EC56856
3 1/2	EC56857
4	EC56858

HC Type Hubs

2	EHC200
2 1/2	EHC250
3	EHC300

Accessories and Closure Plates

Adapter Plate	ECHCRXA EC9747-1113 (HD to RX)
Closure Plates	EHC000 EC38595 (RX Type) EC56933S (HD Type)

Sealing Rings

Description	Catalog Number
Snap-on type, aluminum	SRSTD
Screw type, aluminum	SRSW

Grounding Bars (Al/Cu — except where noted)

Grounding bars are for use where grounding of electrical outlets and devices is by means of conductors. Each bar is equipped with large connectors rated for one #14-1/0 or, two or three #14-10 Cu/Al and small connectors rated for one #14-6 or, two #14-12 Cu/Al. (May be restricted by wire bending space.)

Length	Number of Connectors			Catalog Number
	Total	Large	Small	
1 1/8	4	0	4	ECLX068M
2 1/16	7	2	5	ECLX069M
3 1/2	11	3	8	ECLX071M
4 5/8	15	4	11	ECLX072M
5 3/4	19	5	14	ECLX073M
7	23	6	17	ECLX074M
8 7/8	27	7	20	ECLX075M

Miscellaneous Accessories

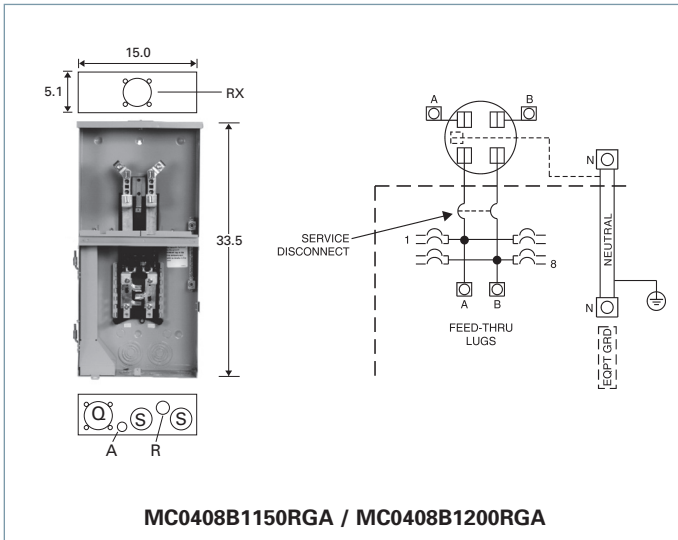
Description	Catalog Number
Plastic Meter Opening Cover	ECPP
Plastic Meter Cover Ringless	ECPP3
NEMA Stud Mechanical Lugs ^①	
(2) #6-350 kcmil	UK350TA
(1) #2-600 kcmil Al/Cu	UK600TA
(2) #500-1000 kcmil Al/Cu	UK1000TA
5th Jaws ^②	EC5J EC5J2 EC659-0121 EMC5J H35815-2
Neutral Feeder Lugs	
#2-1/0	ECLK1-2
#4-2/0	ECLK2
#1-350 kcmil	ECLK3

① Order one for each phase and neutral. For use on EUSERC 400A combinations.

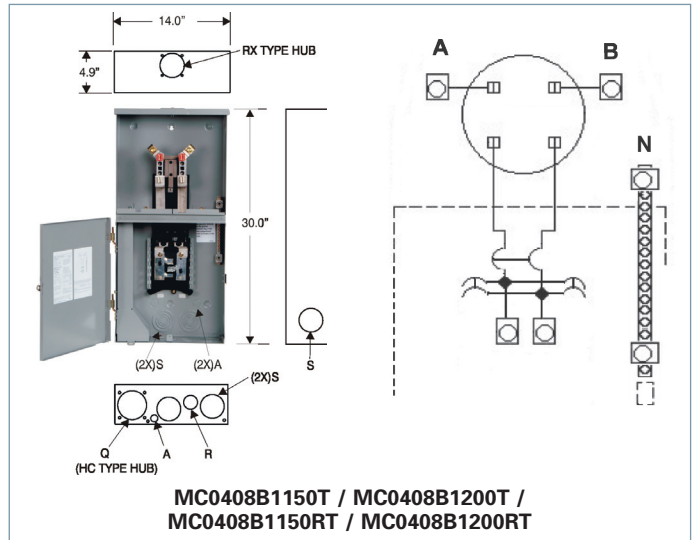
② See individual product pages for 5th jaw selection.

Meter Centers

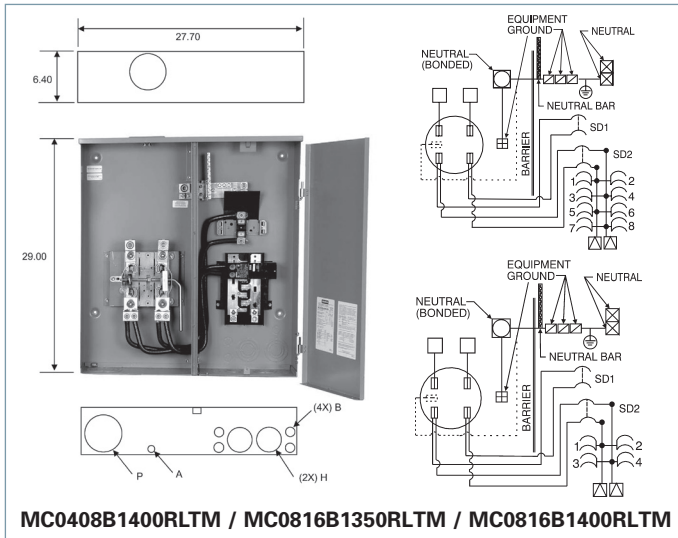
Meter Combinations Dimensions and Wiring Schematics



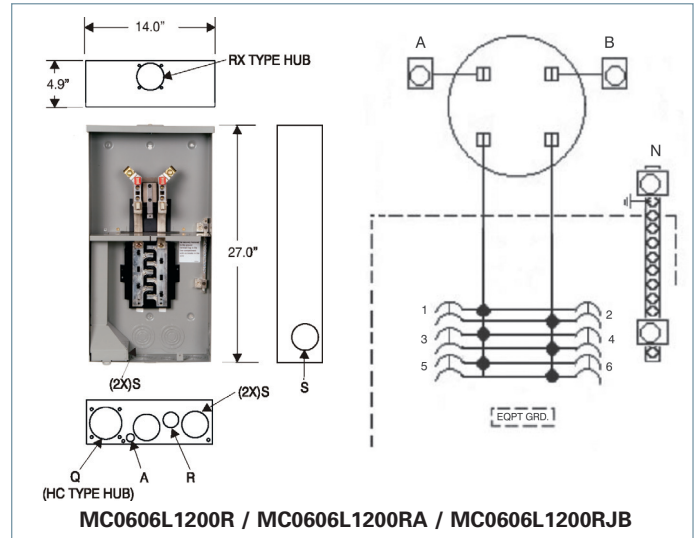
Product tables for above on page 2-39



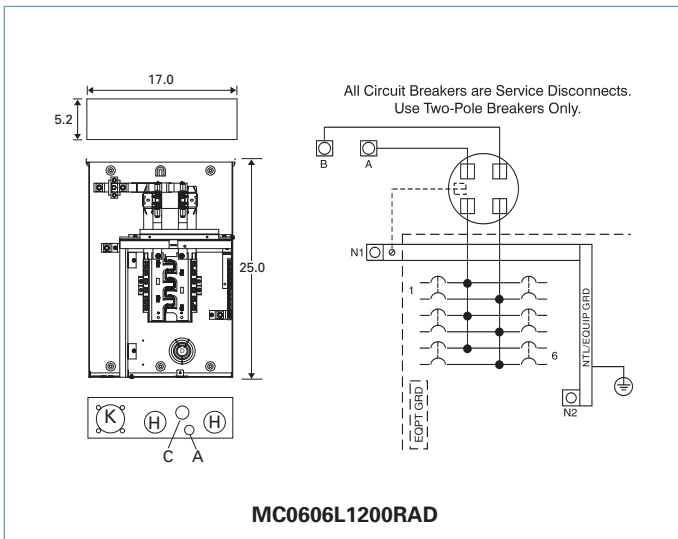
Product tables for above on pages 2-38 and 2-72



Product tables for above on pages 2-41 and 2-73



Product tables for above on pages 2-38 and 2-72



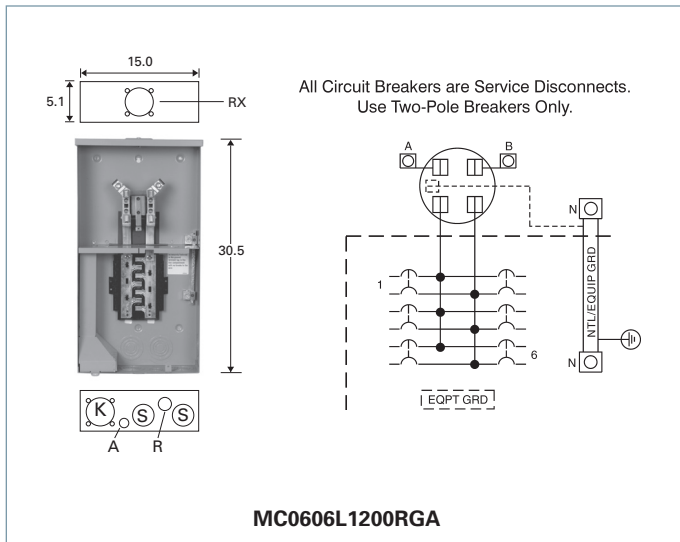
Product tables for above on page 2-39

Knockout Code — Conduit Sizes

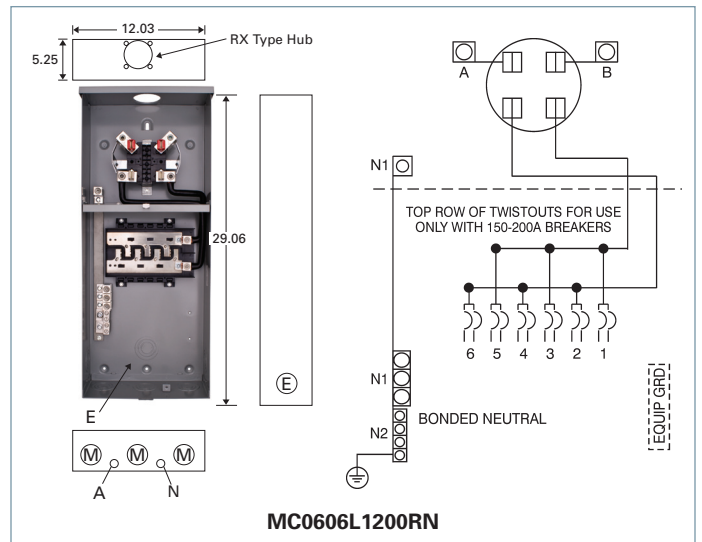
A = 1/2	L = 3/8, 1/2, 3/4
B = 1/2, 3/4	M = 3/4, 1, 1 1/4, 1 1/2, 2
C = 1/2, 3/4, 1	N = 1/4
D = 3/4, 1 1/4, 1 1/2	P = 2, 2 1/2, 3, 3 1/2, 4
E = 1, 1 1/4, 1 1/2, 2	Q = 2 1/2, 3
F = 3/4, 1, 1 1/4	R = 1/2, 3/4, 1, 1 1/4
G = 1, 1 1/4, 1 1/2	S = 1/2, 3/4, 1, 1 1/4, 1 1/2, 2, 2 1/2
H = 1, 1 1/4, 1 1/2, 2, 2 1/2	T = 1 1/2, 2, 2 1/2
J = 1 1/4, 1 1/2, 2, 2 1/2, 3	U = 3/4, 1, 1 1/4, 1 1/2, 2, 2 1/2, 3
K = 1, 1 1/4, 2, 2 1/2, 3	V = 3/4, 1, 1 1/4, 1 1/2

Meter Centers

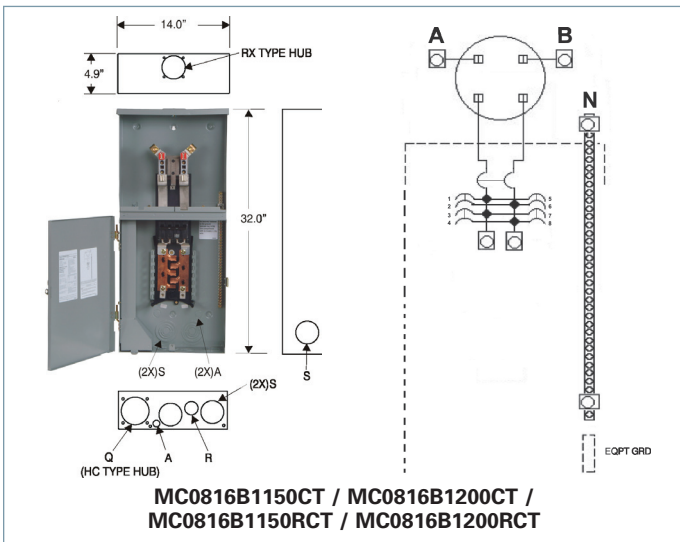
Meter Combinations Dimensions and Wiring Schematics



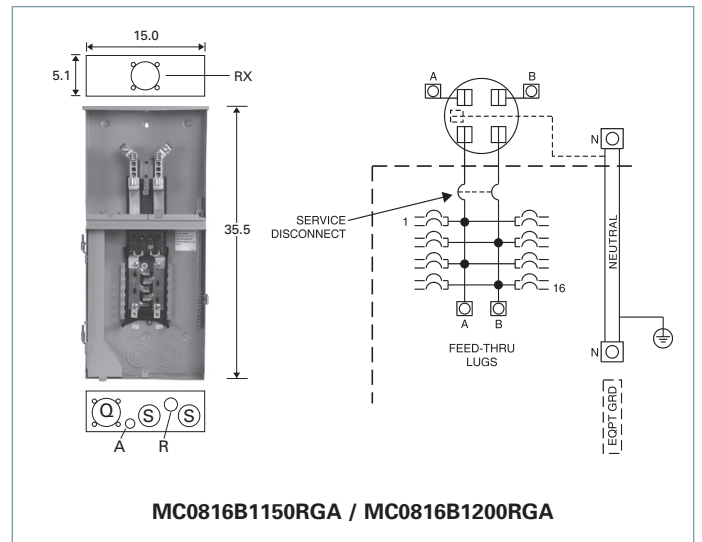
■ Product tables for above on page 2-39



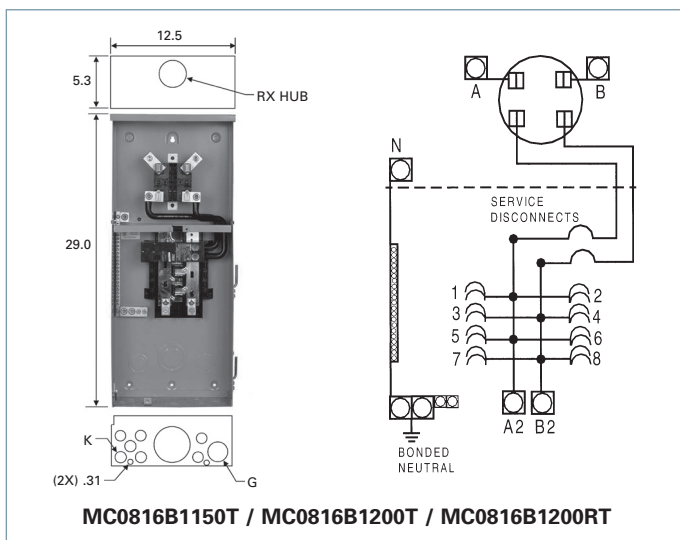
■ Product tables for above on page 2-38



■ Product tables for above on pages 2-38 and 2-72



■ Product tables for above on page 2-39



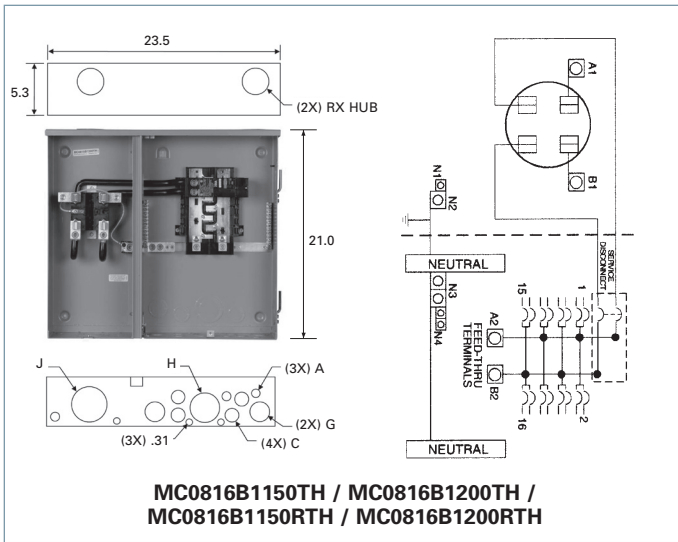
■ Product tables for above on pages 2-38 and 2-73

Knockout Code — Conduit Sizes

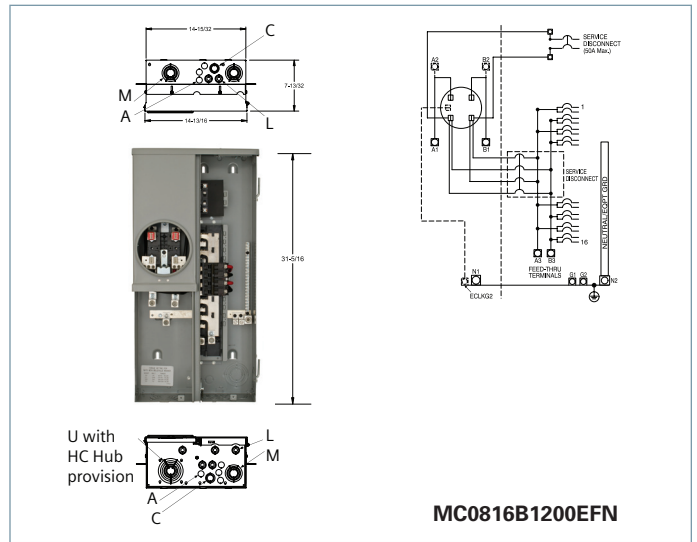
A = 1/2	L = 3/8, 1/2, 3/4
B = 1/2, 3/4	M = 3/4, 1, 1 1/4, 1 1/2, 2
C = 1/2, 3/4, 1	N = 1/4
D = 3/4, 1 1/4, 1 1/2	P = 2, 2 1/2, 3, 3 1/2, 4
E = 1, 1 1/4, 1 1/2, 2	Q = 2 1/2, 3
F = 3/4, 1, 1 1/4	R = 1/2, 3/4, 1, 1 1/4
G = 1, 1 1/4, 1 1/2	S = 1/2, 3/4, 1, 1 1/4, 1 1/2, 2, 2 1/2
H = 1, 1 1/4, 1 1/2, 2, 2 1/2	T = 1 1/2, 2, 2 1/2
J = 1 1/4, 1 1/2, 2, 2 1/2, 3	U = 3/4, 1, 1 1/4, 1 1/2, 2, 2 1/2, 3
K = 1, 1 1/4, 2, 2 1/2, 3	V = 3/4, 1, 1 1/4, 1 1/2

Meter Centers

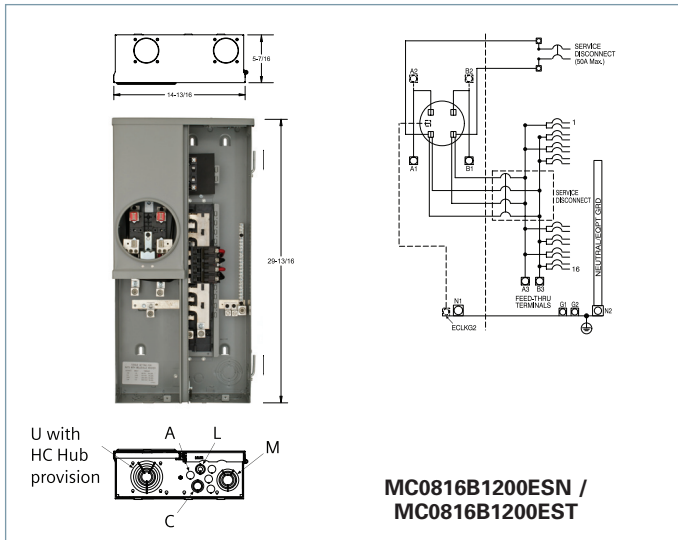
Meter Combinations Dimensions and Wiring Schematics



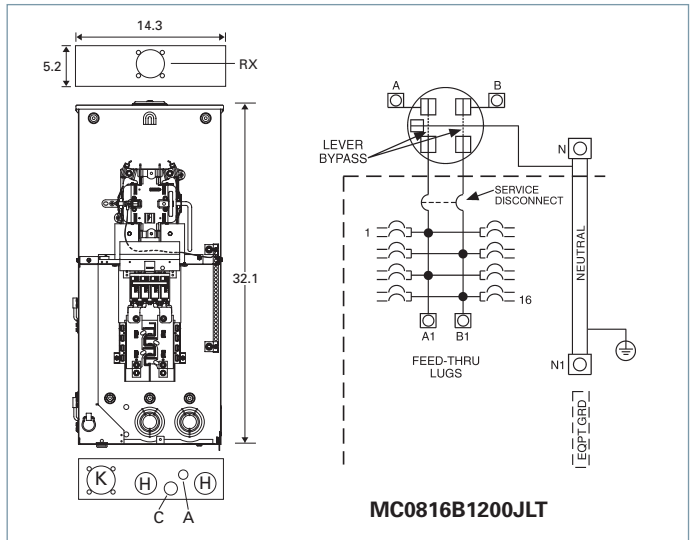
Product tables for above on pages 2-41 and 2-73



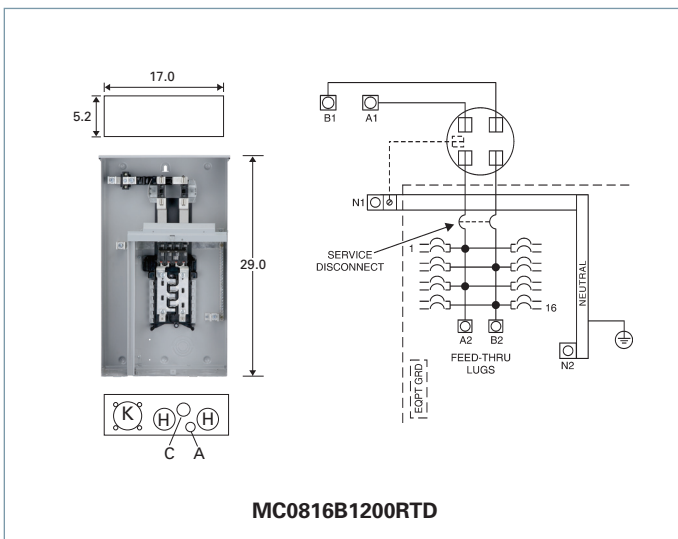
Product tables for above on pages 2-46 and 3-65



Product tables for above on pages 2-46 and 3-65



Product tables for above on page 2-40



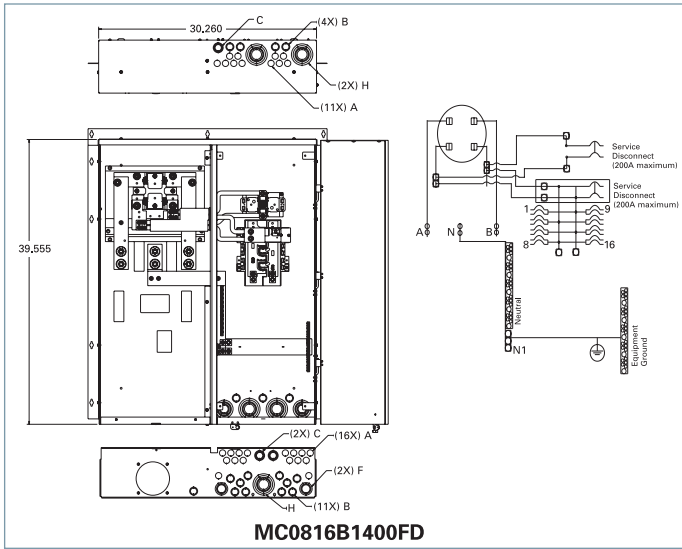
Product tables for above on page 2-39

Knockout Code — Conduit Sizes

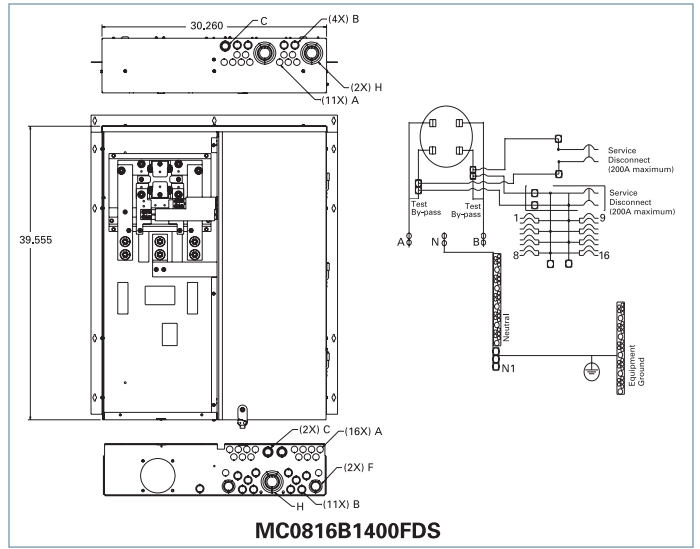
A = 1/2	L = 3/8, 1/2, 3/4
B = 1/2, 3/4	M = 3/4, 1, 1 1/4, 1 1/2, 2
C = 1/2, 3/4, 1	N = 1/4
D = 3/4, 1 1/4, 1 1/2	P = 2, 2 1/2, 3, 3 1/2, 4
E = 1, 1 1/4, 1 1/2, 2	Q = 2 1/2, 3
F = 3/4, 1, 1 1/4	R = 1/2, 3/4, 1, 1 1/4
G = 1, 1 1/4, 1 1/2	S = 1/2, 3/4, 1, 1 1/4, 1 1/2, 2, 2 1/2
H = 1, 1 1/4, 1 1/2, 2, 2 1/2	T = 1 1/2, 2, 2 1/2
J = 1 1/4, 1 1/2, 2, 2 1/2, 3	U = 3/4, 1, 1 1/4, 1 1/2, 2, 2 1/2, 3
K = 1, 1 1/4, 2, 2 1/2, 3	V = 3/4, 1, 1 1/4, 1 1/2

Meter Centers

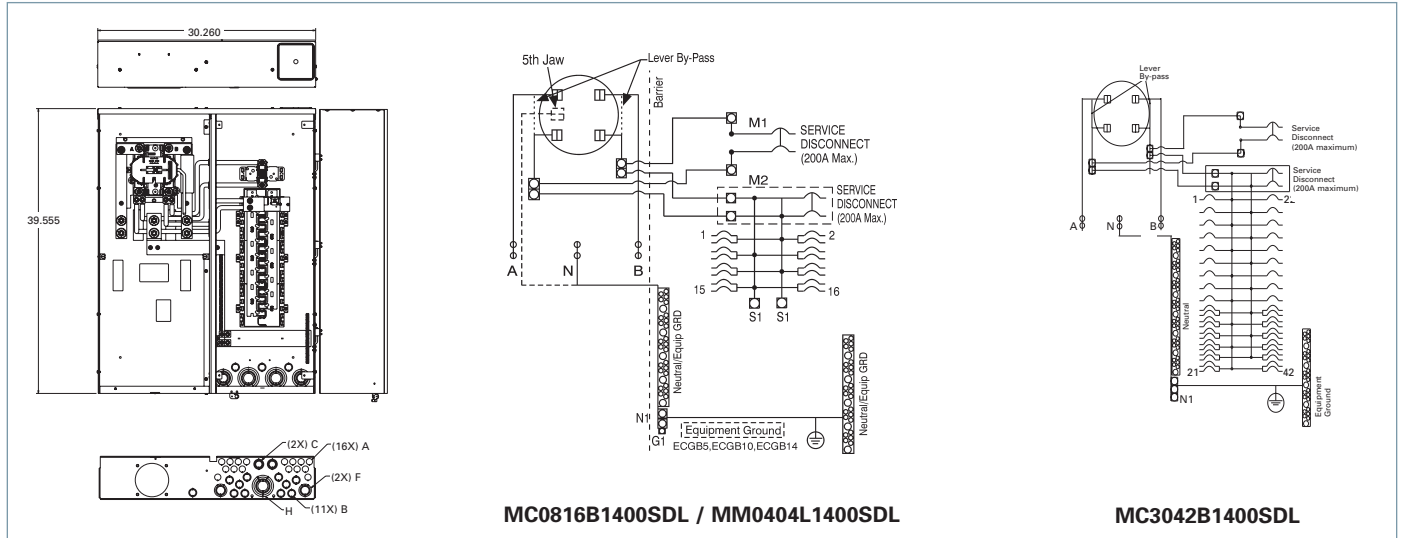
Meter Combinations Dimensions and Wiring Schematics



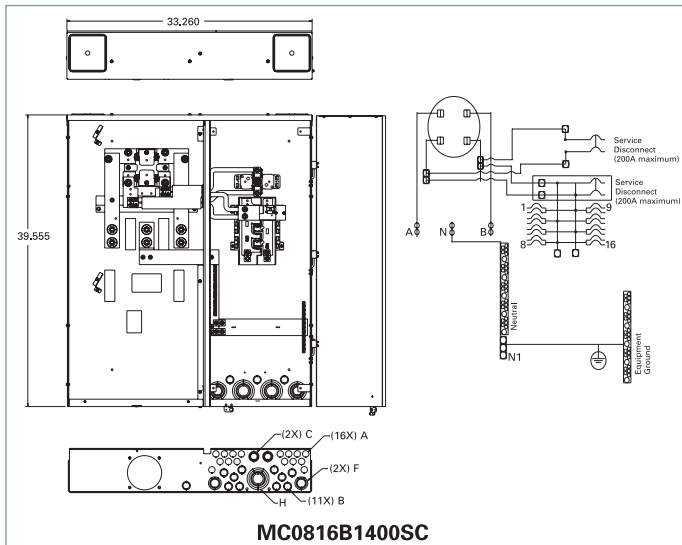
■ Product tables for above on pages 2-47 and 2-76



■ Product tables for above on pages 2-47 and 2-76



■ Product tables for above on pages 2-36, 2-41 2-73 and 2-76



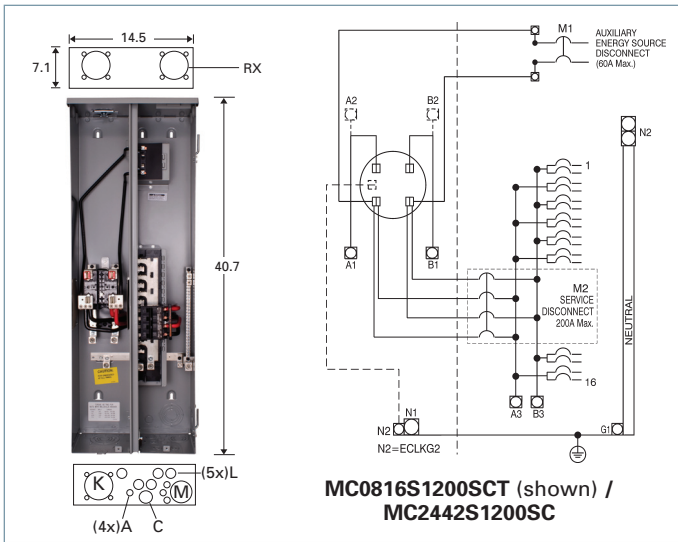
■ Product tables for above on pages 2-47 and 2-76

Knockout Code — Conduit Sizes

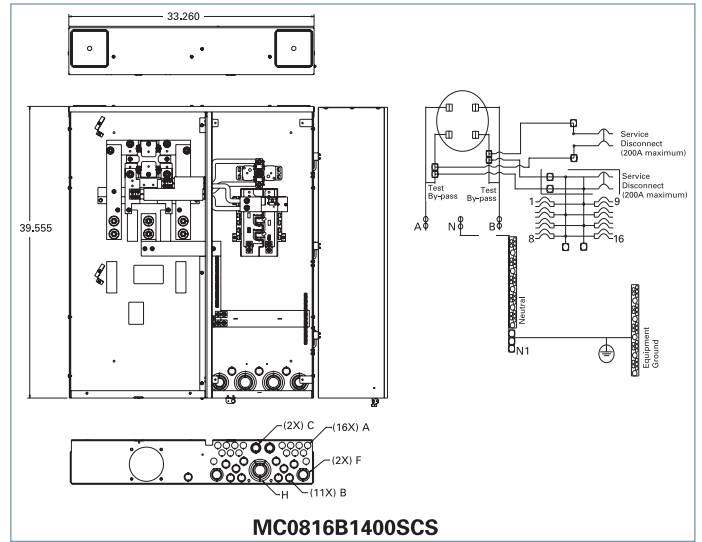
A = 1/2	L = 3/8, 1/2, 3/4
B = 1/2, 3/4	M = 3/4, 1, 1 1/4, 1 1/2, 2
C = 1/2, 3/4, 1	N = 1/4
D = 3/4, 1 1/4, 1 1/2	P = 2, 2 1/2, 3, 3 1/2, 4
E = 1, 1 1/4, 1 1/2, 2	Q = 2 1/2, 3
F = 3/4, 1, 1 1/4	R = 1/2, 3/4, 1, 1 1/4
G = 1, 1 1/4, 1 1/2	S = 1/2, 3/4, 1, 1 1/4, 1 1/2, 2, 2 1/2
H = 1, 1 1/4, 1 1/2, 2, 2 1/2	T = 1 1/2, 2, 2 1/2
J = 1 1/4, 1 1/2, 2, 2 1/2, 3	U = 3/4, 1, 1 1/4, 1 1/2, 2, 2 1/2, 3
K = 1, 1 1/4, 2, 2 1/2, 3	V = 3/4, 1, 1 1/4, 1 1/2

Meter Centers

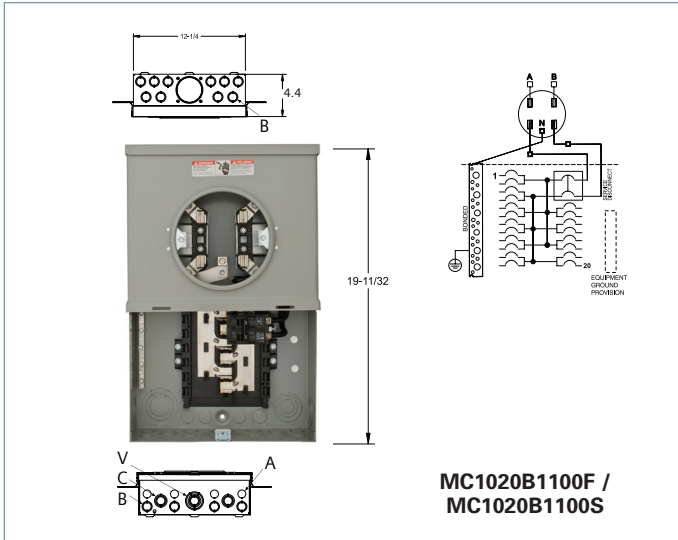
Meter Combinations Dimensions and Wiring Schematics



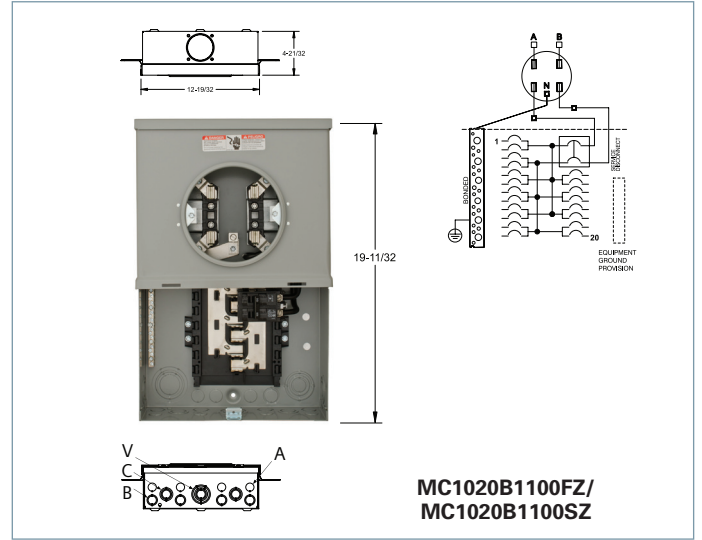
Product tables for above on page 2-44



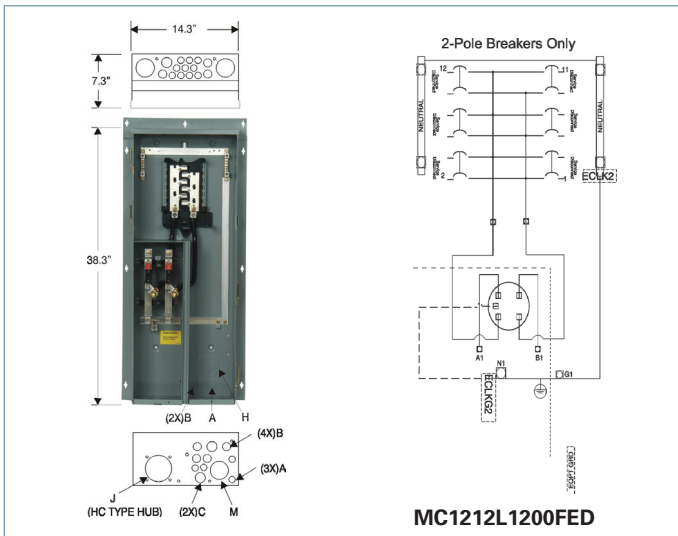
Product tables for above on pages 2-47 and 2-76



Product tables for above on pages 2-38 and 2-73



Product tables for above on pages 2-38 and 2-73



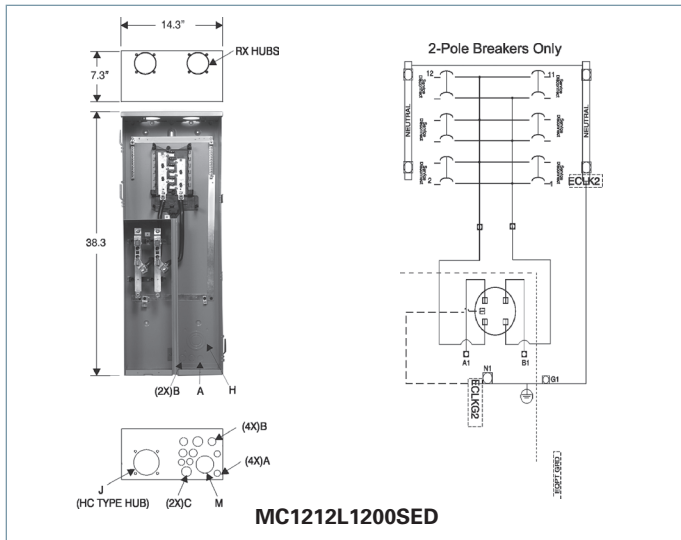
Product tables for above on pages 2-48 and 3-65

Knockout Code — Conduit Sizes

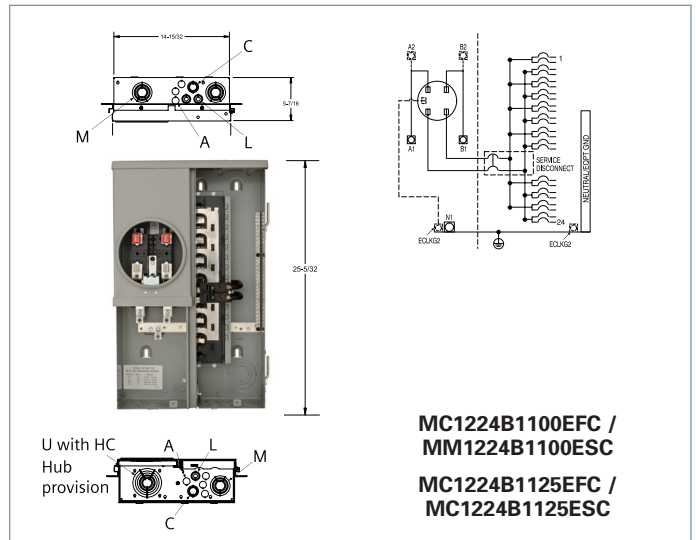
A = 1/2	L = 3/8, 1/2, 3/4
B = 1/2, 3/4	M = 3/4, 1, 1 1/4, 1 1/2, 2
C = 1/2, 3/4, 1	N = 1/4
D = 3/4, 1 1/4, 1 1/2	P = 2, 2 1/2, 3, 3 1/2, 4
E = 1, 1 1/4, 1 1/2, 2	Q = 2 1/2, 3
F = 3/4, 1, 1 1/4	R = 1/2, 3/4, 1, 1 1/4
G = 1, 1 1/4, 1 1/2	S = 1/2, 3/4, 1, 1 1/4, 1 1/2, 2, 2 1/2
H = 1, 1 1/4, 1 1/2, 2, 2 1/2	T = 1 1/2, 2, 2 1/2
J = 1 1/4, 1 1/2, 2, 2 1/2, 3	U = 3/4, 1, 1 1/4, 1 1/2, 2, 2 1/2, 3
K = 1, 1 1/4, 2, 2 1/2, 3	V = 3/4, 1, 1 1/4, 1 1/2

Meter Centers

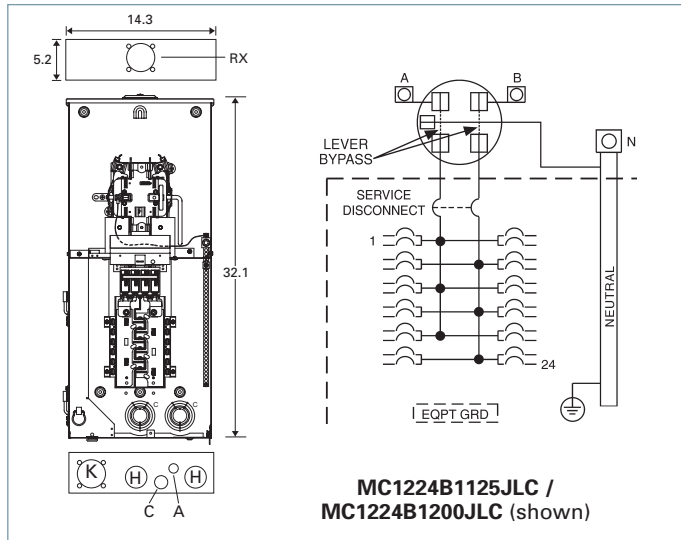
Meter Combinations Dimensions and Wiring Schematics



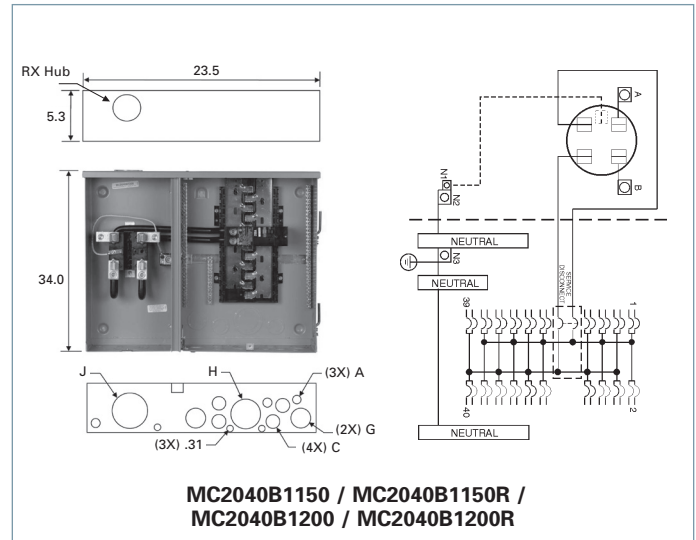
Product tables for above on pages 2-48 and 2-76



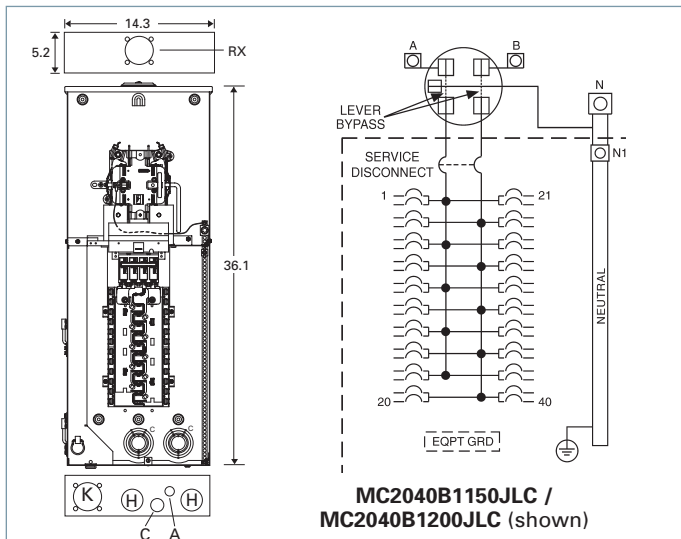
Product tables for above on pages 2-46 and 3-65



Product tables for above on page 2-40



Product tables for above on pages 2-41 and 2-73



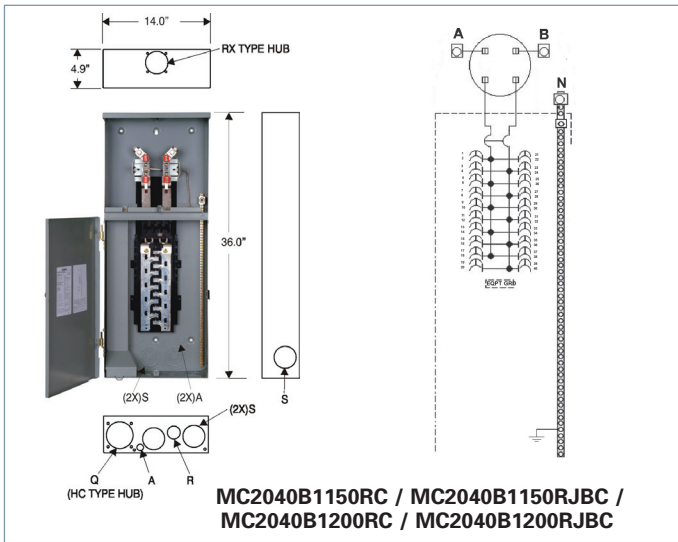
Product tables for above on page 2-40

Knockout Code — Conduit Sizes

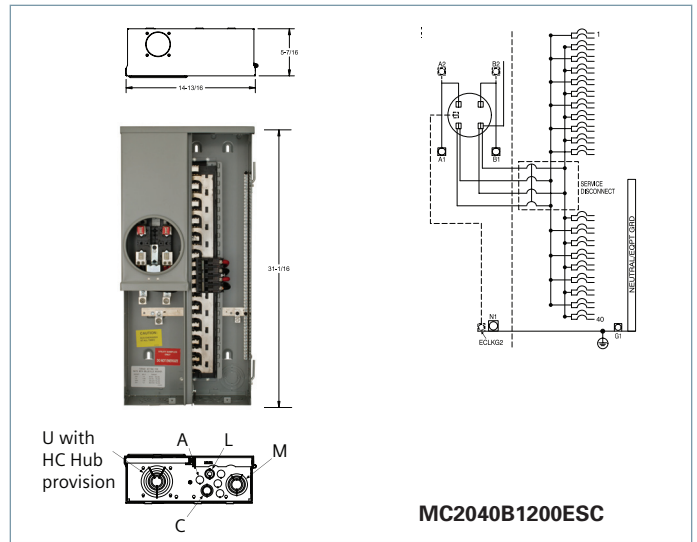
A = 1/2	L = 3/8, 1/2, 3/4
B = 1/2, 3/4	M = 3/4, 1, 1 1/4, 1 1/2, 2
C = 1/2, 3/4, 1	N = 1/4
D = 3/4, 1 1/4, 1 1/2	P = 2, 2 1/2, 3, 3 1/2, 4
E = 1, 1 1/4, 1 1/2, 2	Q = 2 1/2, 3
F = 3/4, 1, 1 1/4	R = 1/2, 3/4, 1, 1 1/4
G = 1, 1 1/4, 1 1/2	S = 1/2, 3/4, 1, 1 1/4, 1 1/2, 2, 2 1/2
H = 1, 1 1/4, 1 1/2, 2, 2 1/2	T = 1 1/2, 2, 2 1/2
J = 1 1/4, 1 1/2, 2, 2 1/2, 3	U = 3/4, 1, 1 1/4, 1 1/2, 2, 2 1/2, 3
K = 1, 1 1/4, 2, 2 1/2, 3	V = 3/4, 1, 1 1/4, 1 1/2

Meter Centers

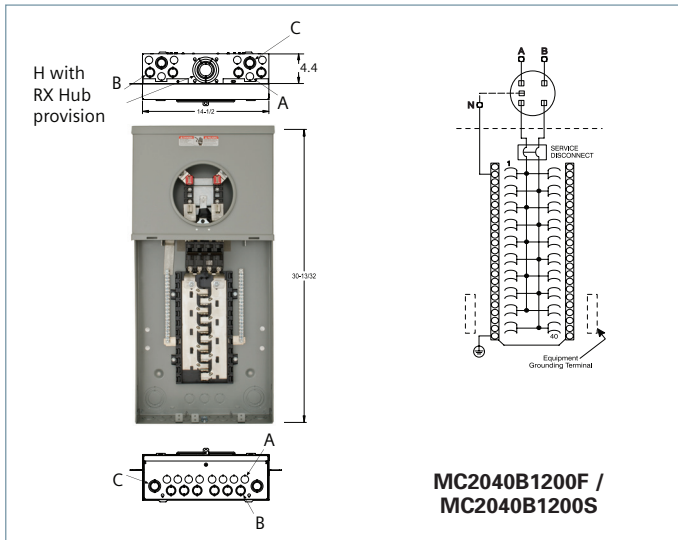
Meter Combinations Dimensions and Wiring Schematics



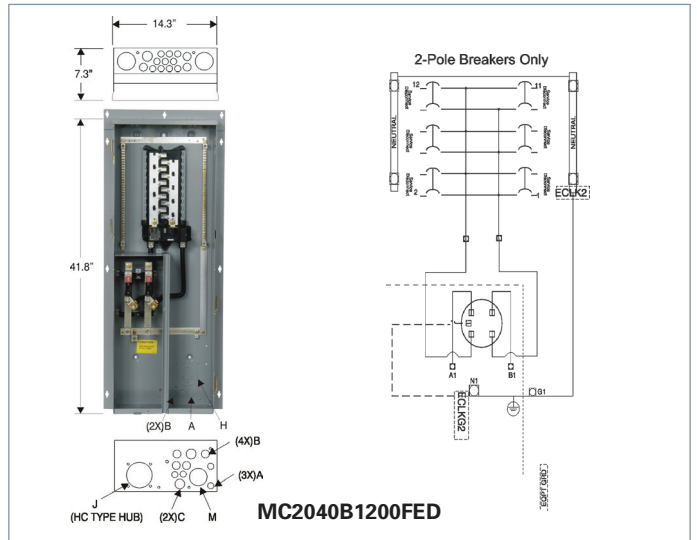
Product tables for above on page 2-38



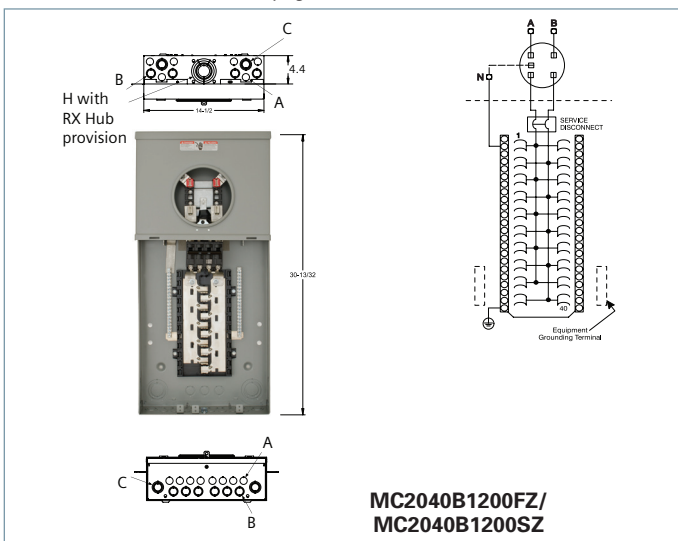
Product tables for above on pages 2-46 and 2-75



Product tables for above on pages 2-38 and 2-73



Product tables for above on pages 2-48 and 2-75



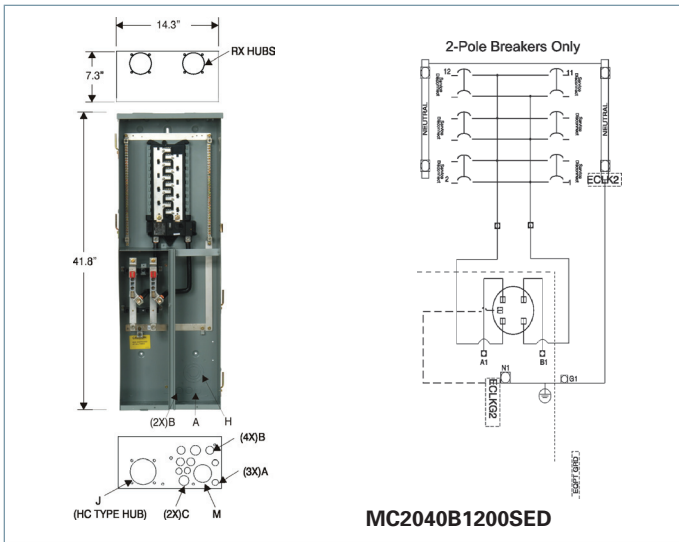
Product tables for above on pages 2-38 and 2-73

Knockout Code — Conduit Sizes

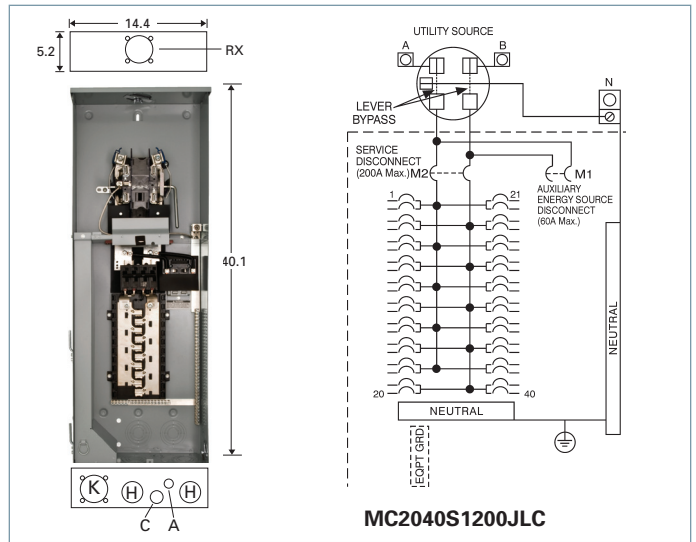
A = 1/2	L = 3/8, 1/2, 3/4
B = 1/2, 3/4	M = 3/4, 1, 1 1/4, 1 1/2, 2
C = 1/2, 3/4, 1	N = 1/4
D = 3/4, 1 1/4, 1 1/2	P = 2, 2 1/2, 3, 3 1/2, 4
E = 1, 1 1/4, 1 1/2, 2	Q = 2 1/2, 3
F = 3/4, 1, 1 1/4	R = 1/2, 3/4, 1, 1 1/4
G = 1, 1 1/4, 1 1/2	S = 1/2, 3/4, 1, 1 1/4, 1 1/2, 2, 2 1/2
H = 1, 1 1/4, 1 1/2, 2, 2 1/2	T = 1 1/2, 2, 2 1/2
J = 1 1/4, 1 1/2, 2, 2 1/2, 3	U = 3/4, 1, 1 1/4, 1 1/2, 2, 2 1/2, 3
K = 1, 1 1/4, 2, 2 1/2, 3	V = 3/4, 1, 1 1/4, 1 1/2

Meter Centers

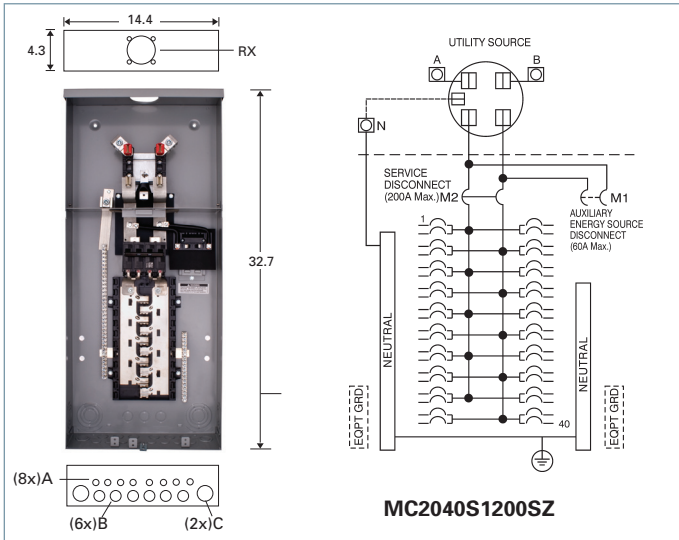
Meter Combinations Dimensions and Wiring Schematics



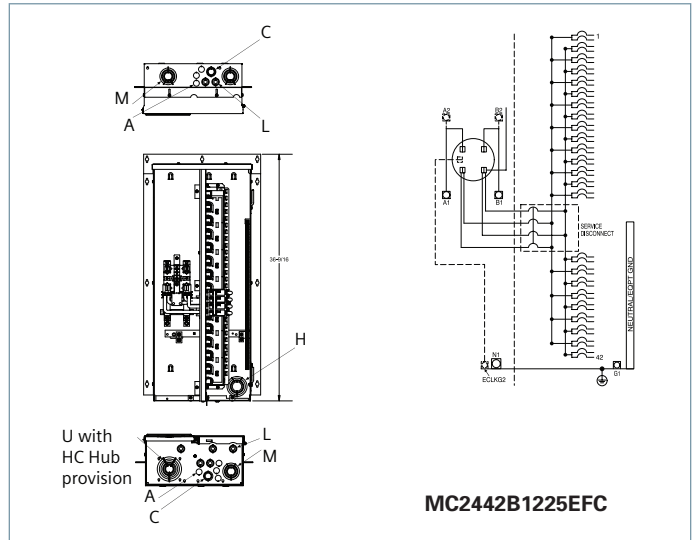
■ Product tables for above on pages 2-48 and 2-75



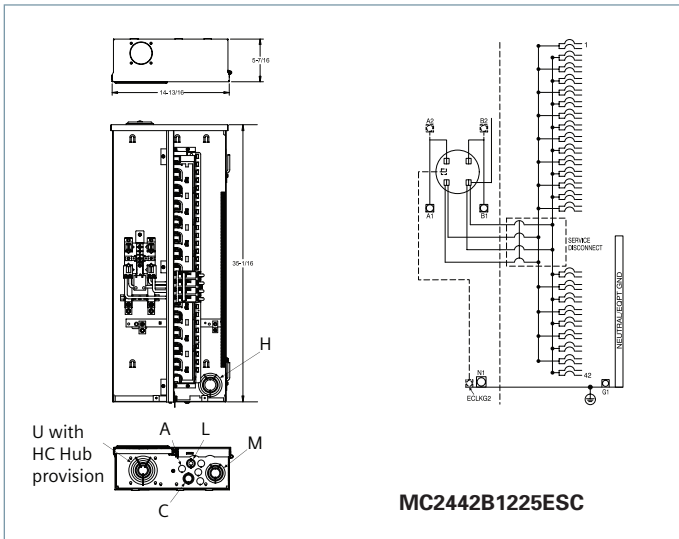
■ Product tables for above on page 2-44



■ Product tables for above on page 2-44



■ Product tables for above on pages 2-46 and 2-75



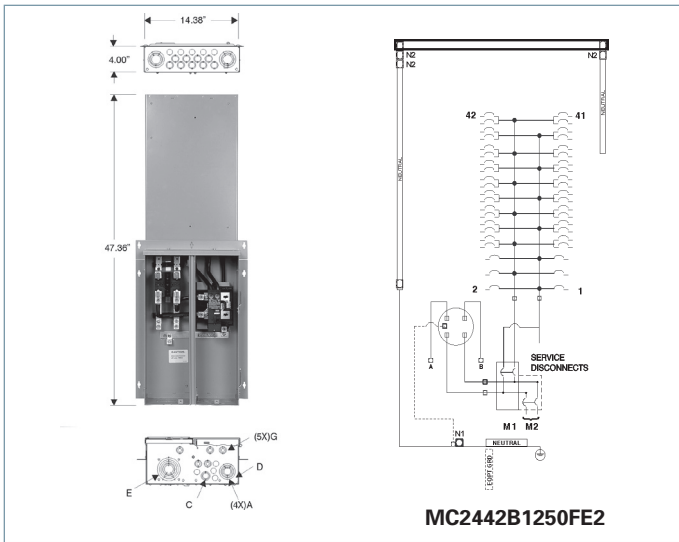
■ Product tables for above on pages 2-46 and 2-75

Knockout Code — Conduit Sizes

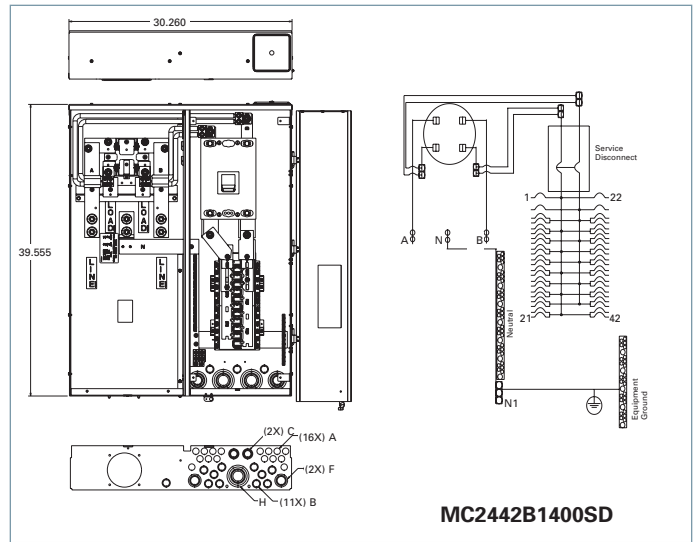
A = 1/2	L = 3/8, 1/2, 3/4
B = 1/2, 3/4	M = 3/4, 1, 1 1/4, 1 1/2, 2
C = 1/2, 3/4, 1	N = 1/4
D = 3/4, 1 1/4, 1 1/2	P = 2, 2 1/2, 3, 3 1/2, 4
E = 1, 1 1/4, 1 1/2, 2	Q = 2 1/2, 3
F = 3/4, 1, 1 1/4	R = 1/2, 3/4, 1, 1 1/4
G = 1, 1 1/4, 1 1/2	S = 1/2, 3/4, 1, 1 1/4, 1 1/2, 2, 2 1/2
H = 1, 1 1/4, 1 1/2, 2, 2 1/2	T = 1 1/2, 2, 2 1/2
J = 1 1/4, 1 1/2, 2, 2 1/2, 3	U = 3/4, 1, 1 1/4, 1 1/2, 2, 2 1/2, 3
K = 1, 1 1/4, 2, 2 1/2, 3	V = 3/4, 1, 1 1/4, 1 1/2

Meter Centers

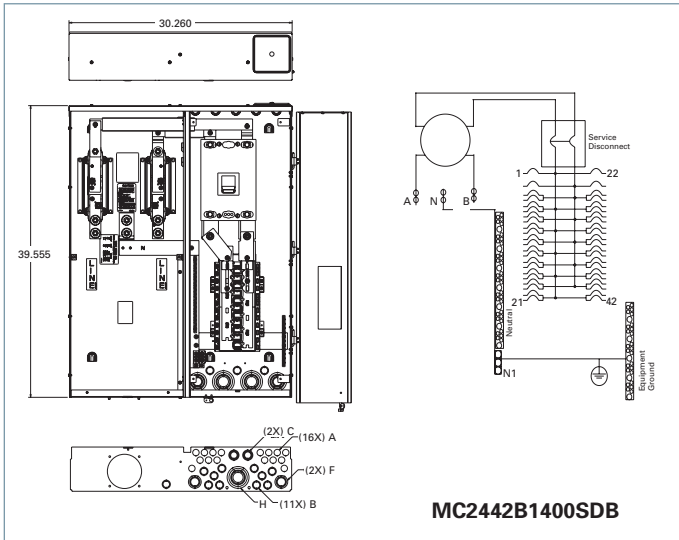
Meter Combinations Dimensions and Wiring Schematics



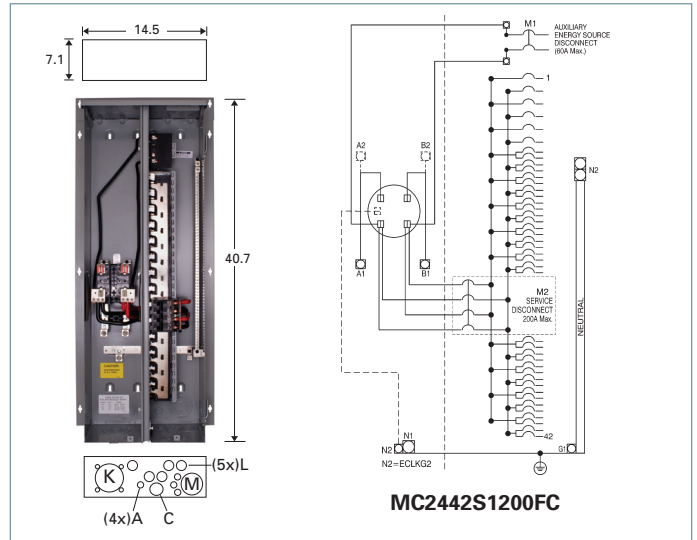
■ Product tables for above on page 2-48



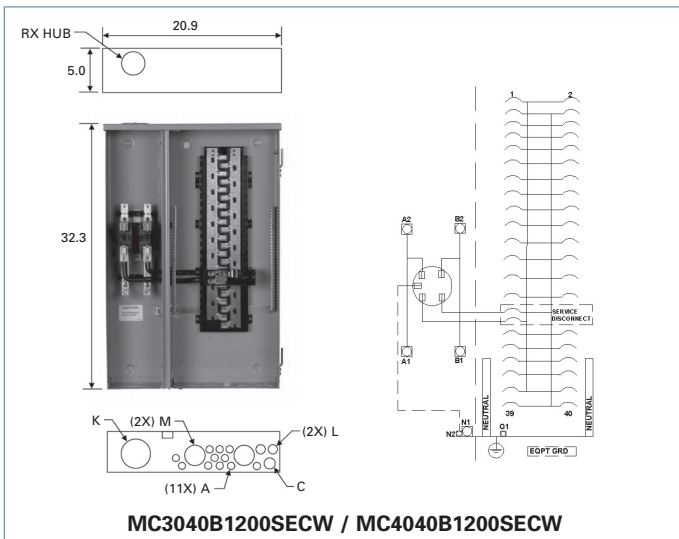
■ Product tables for above on page 2-47



■ Product tables for above on page 2-41



■ Product tables for above on page 2-44



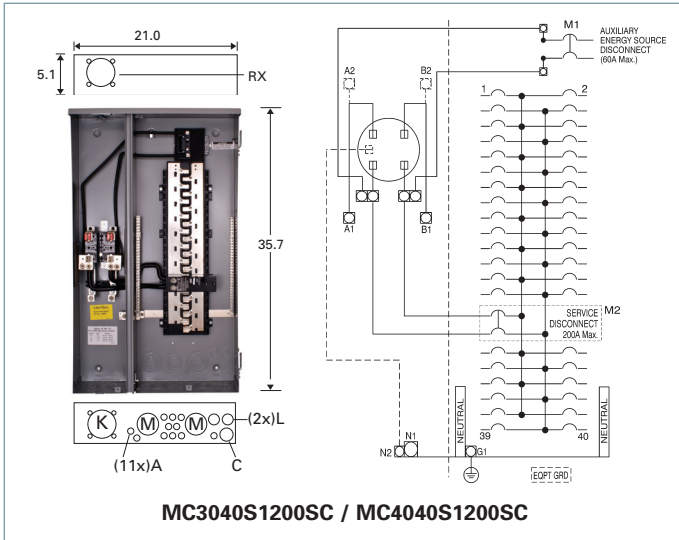
■ Product tables for above on pages 2-46 and 2-75

Knockout Code — Conduit Sizes

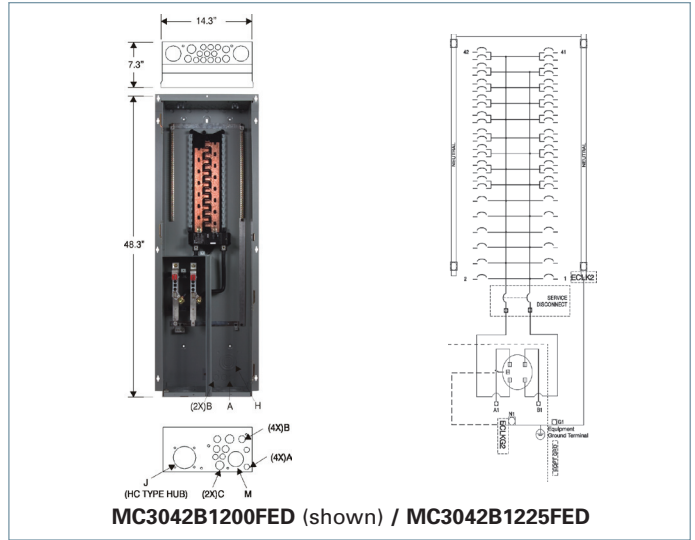
A = 1/2	L = 3/8, 1/2, 3/4
B = 1/2, 3/4	M = 3/4, 1, 1 1/4, 1 1/2, 2
C = 1/2, 3/4, 1	N = 1/4
D = 3/4, 1 1/4, 1 1/2	P = 2, 2 1/2, 3, 3 1/2, 4
E = 1, 1 1/4, 1 1/2, 2	Q = 2 1/2, 3
F = 3/4, 1, 1 1/4	R = 1/2, 3/4, 1, 1 1/4
G = 1, 1 1/4, 1 1/2	S = 1/2, 3/4, 1, 1 1/4, 1 1/2, 2, 2 1/2
H = 1, 1 1/4, 1 1/2, 2, 2 1/2	T = 1 1/2, 2, 2 1/2
J = 1 1/4, 1 1/2, 2, 2 1/2, 3	U = 3/4, 1, 1 1/4, 1 1/2, 2, 2 1/2, 3
K = 1, 1 1/4, 2, 2 1/2, 3	V = 3/4, 1, 1 1/4, 1 1/2

Meter Centers

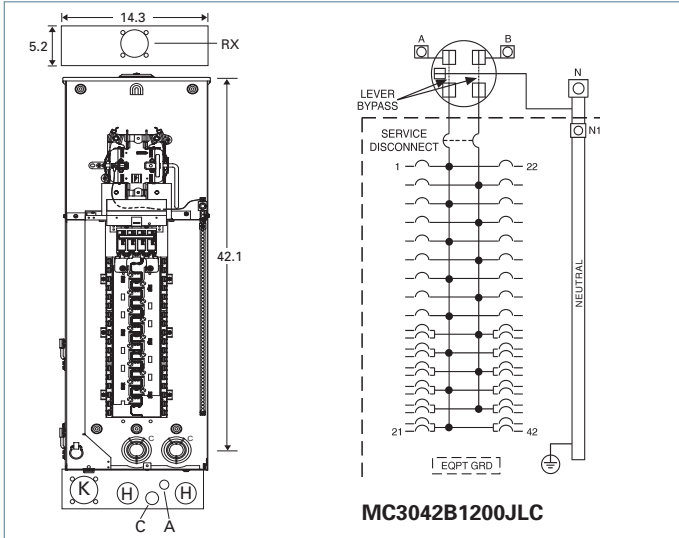
Meter Combinations Dimensions and Wiring Schematics



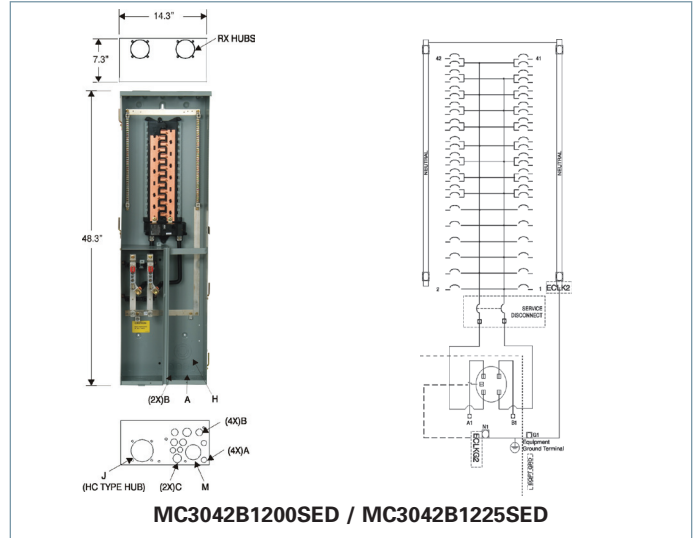
Product tables for above on page 2-44



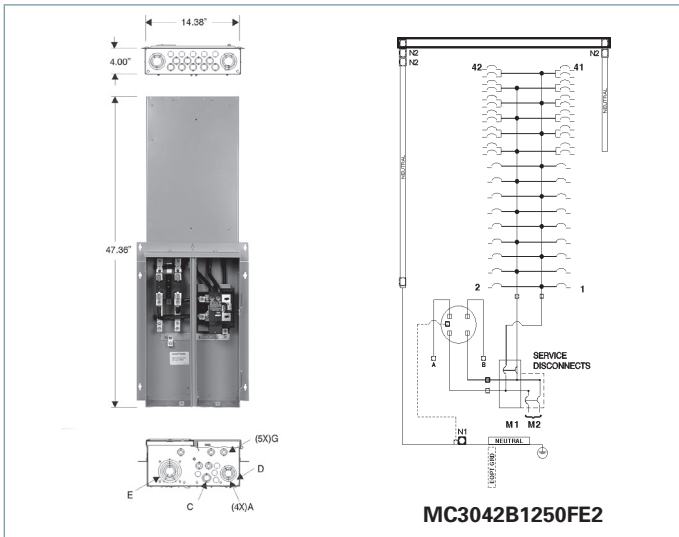
Product tables for above on pages 2-48 and 2-75



Product tables for above on page 2-40



Product tables for above on pages 2-48 and 2-75



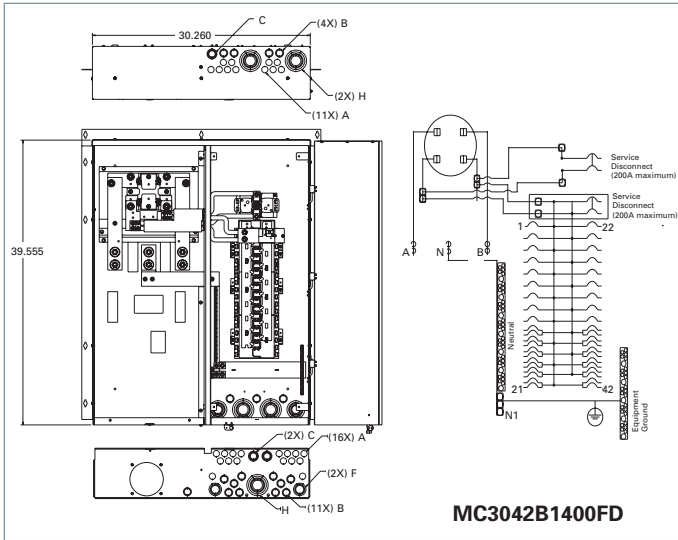
Product tables for above on page 2-48

Knockout Code — Conduit Sizes

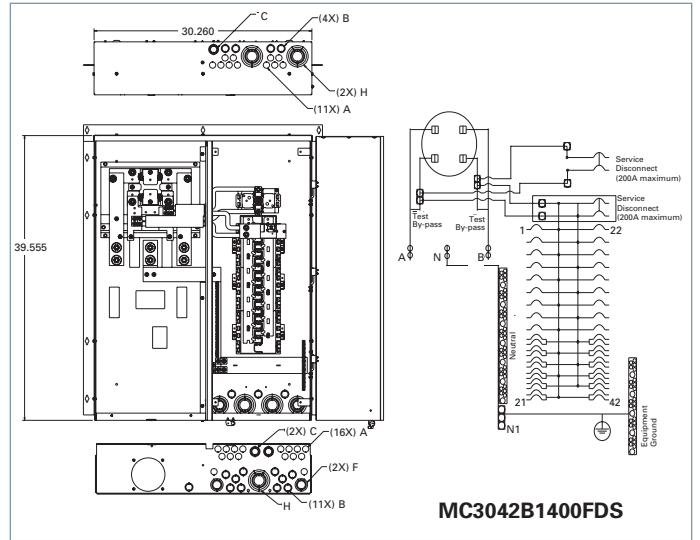
A = 1/2	L = 3/8, 1/2, 3/4
B = 1/2, 3/4	M = 3/4, 1, 1 1/4, 1 1/2, 2
C = 1/2, 3/4, 1	N = 1/4
D = 3/4, 1 1/4, 1 1/2	P = 2, 2 1/2, 3, 3 1/2, 4
E = 1, 1 1/4, 1 1/2, 2	Q = 2 1/2, 3
F = 3/4, 1, 1 1/4	R = 1/2, 3/4, 1, 1 1/4
G = 1, 1 1/4, 1 1/2	S = 1/2, 3/4, 1, 1 1/4, 1 1/2, 2, 2 1/2
H = 1, 1 1/4, 1 1/2, 2, 2 1/2	T = 1 1/2, 2, 2 1/2
J = 1 1/4, 1 1/2, 2, 2 1/2, 3	U = 3/4, 1, 1 1/4, 1 1/2, 2, 2 1/2, 3
K = 1, 1 1/4, 2, 2 1/2, 3	V = 3/4, 1, 1 1/4, 1 1/2

Meter Centers

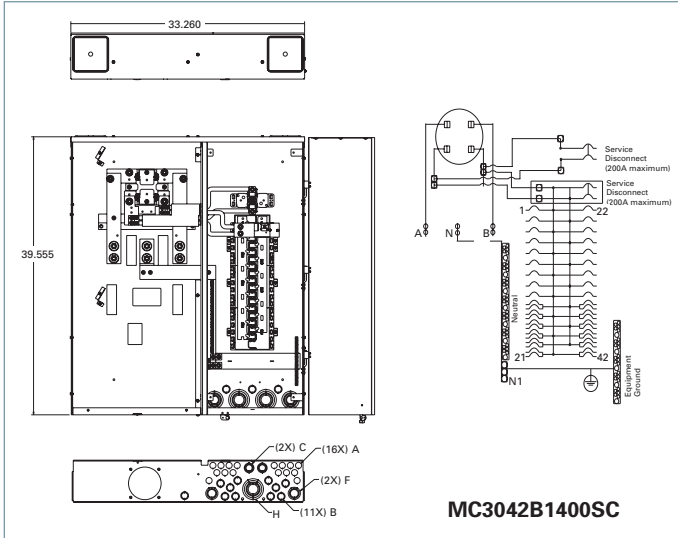
Meter Combinations Dimensions and Wiring Schematics



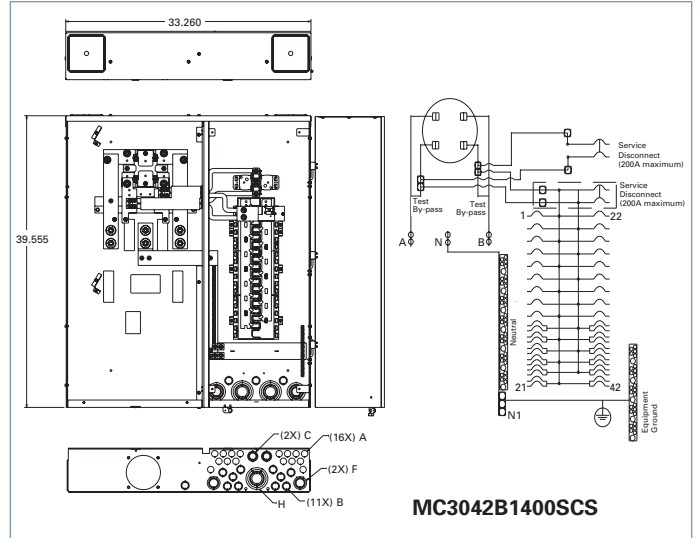
■ Product tables for above on pages 2-47 and 2-76



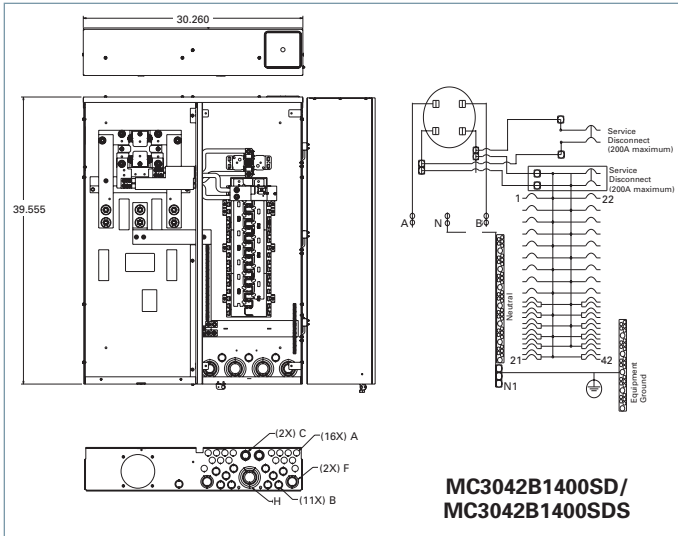
■ Product tables for above on pages 2-47 and 2-76



■ Product tables for above on pages 2-47 and 2-76



■ Product tables for above on pages 2-47 and 2-76



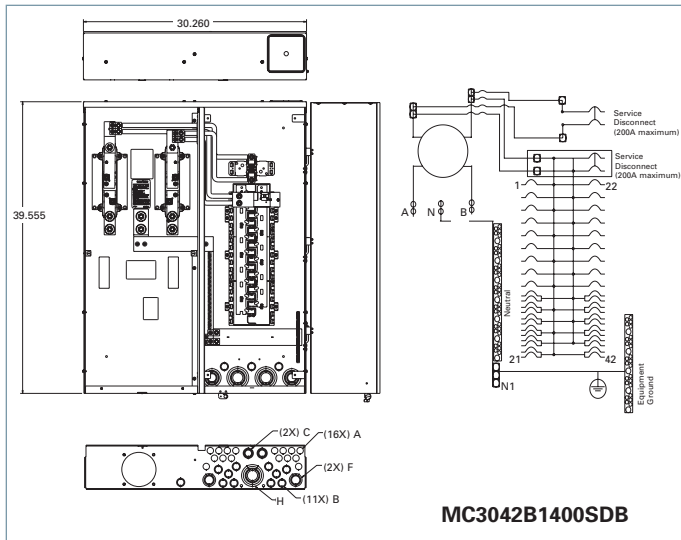
■ Product tables for above on pages 2-47 and 2-76

Knockout Code — Conduit Sizes

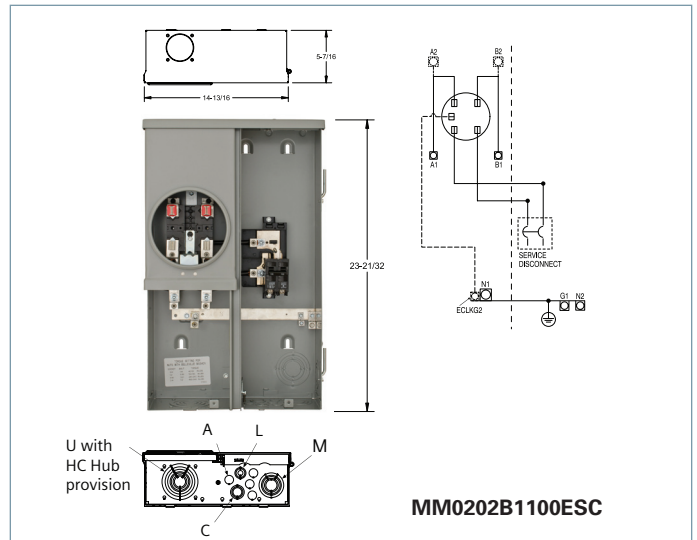
A = 1/2	L = 3/8, 1/2, 3/4
B = 1/2, 3/4	M = 3/4, 1, 1 1/4, 1 1/2, 2
C = 1/2, 3/4, 1	N = 1/4
D = 3/4, 1 1/4, 1 1/2	P = 2, 2 1/2, 3, 3 1/2, 4
E = 1, 1 1/4, 1 1/2, 2	Q = 2 1/2, 3
F = 3/4, 1, 1 1/4	R = 1/2, 3/4, 1, 1 1/4
G = 1, 1 1/4, 1 1/2	S = 1/2, 3/4, 1, 1 1/4, 1 1/2, 2, 2 1/2
H = 1, 1 1/4, 1 1/2, 2, 2 1/2	T = 1 1/2, 2, 2 1/2
J = 1 1/4, 1 1/2, 2, 2 1/2, 3	U = 3/4, 1, 1 1/4, 1 1/2, 2, 2 1/2, 3
K = 1, 1 1/4, 2, 2 1/2, 3	V = 3/4, 1, 1 1/4, 1 1/2

Meter Centers

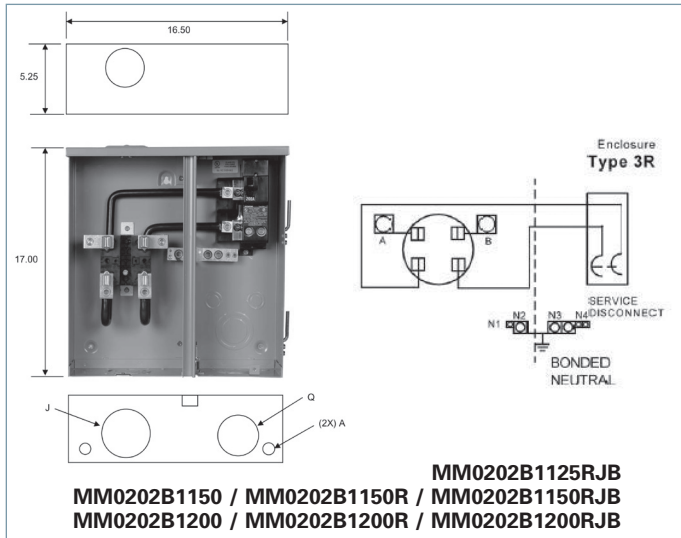
Meter Combinations Dimensions and Wiring Schematics



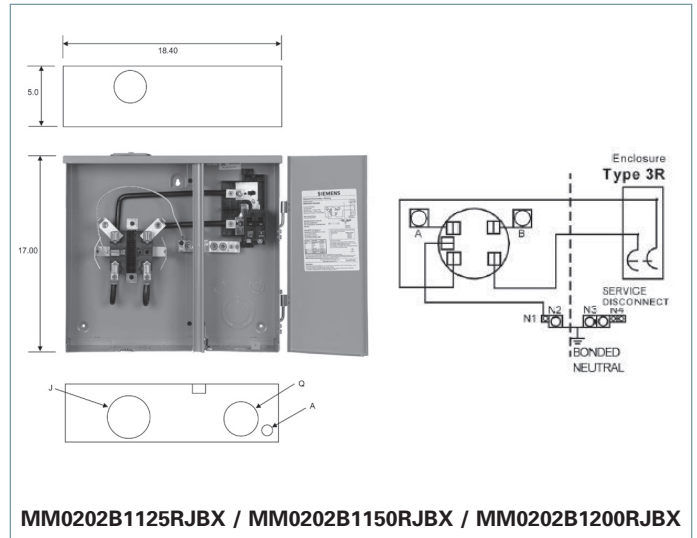
■ Product tables for above on pages 2-41 and 2-48



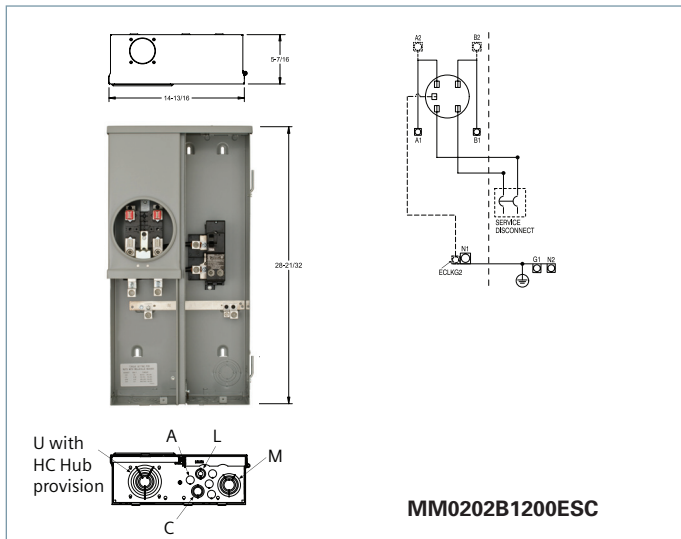
■ Product tables for above on pages 2-42 and 2-74



■ Product tables for above on pages 2-36 and 2-71



■ Product tables for above on page 2-36



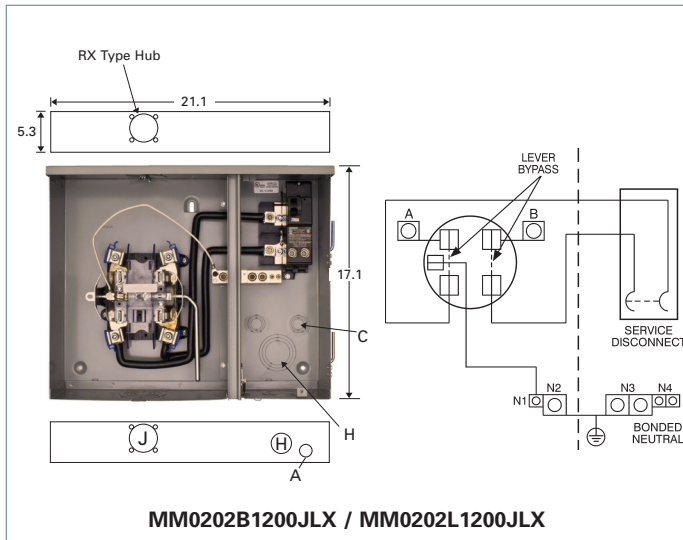
■ Product tables for above on pages 2-42 and 2-74

Knockout Code — Conduit Sizes

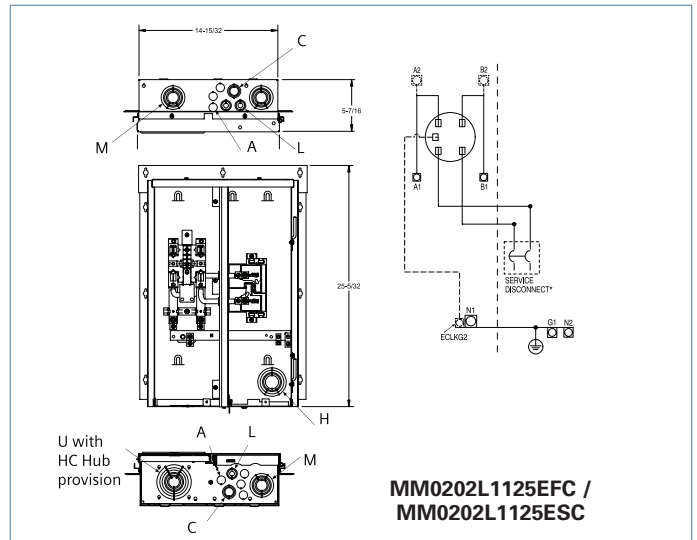
A = 1/2	L = 3/8, 1/2, 3/4
B = 1/2, 3/4	M = 3/4, 1, 1 1/4, 1 1/2, 2
C = 1/2, 3/4, 1	N = 1/4
D = 3/4, 1 1/4, 1 1/2	P = 2, 2 1/2, 3, 3 1/2, 4
E = 1, 1 1/4, 1 1/2, 2	Q = 2 1/2, 3
F = 3/4, 1, 1 1/4	R = 1/2, 3/4, 1, 1 1/4
G = 1, 1 1/4, 1 1/2	S = 1/2, 3/4, 1, 1 1/4, 1 1/2, 2, 2 1/2
H = 1, 1 1/4, 1 1/2, 2, 2 1/2	T = 1 1/2, 2, 2 1/2
J = 1 1/4, 1 1/2, 2, 2 1/2, 3	U = 3/4, 1, 1 1/4, 1 1/2, 2, 2 1/2, 3
K = 1, 1 1/4, 2, 2 1/2, 3	V = 3/4, 1, 1 1/4, 1 1/2

Meter Centers

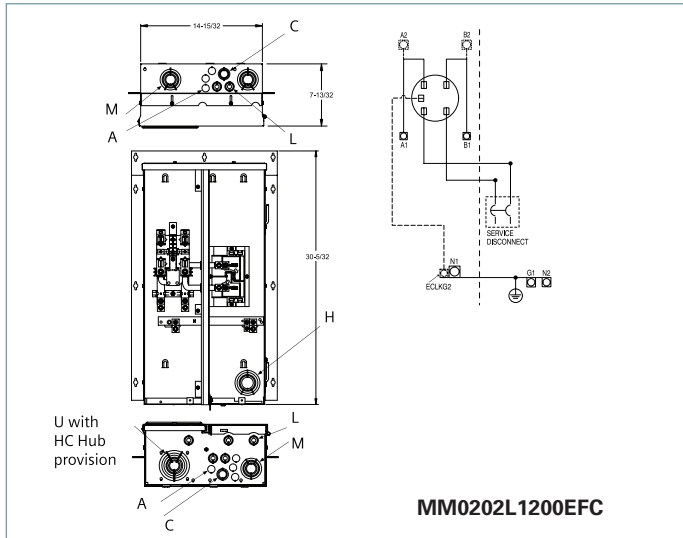
Meter Combinations Dimensions and Wiring Schematics



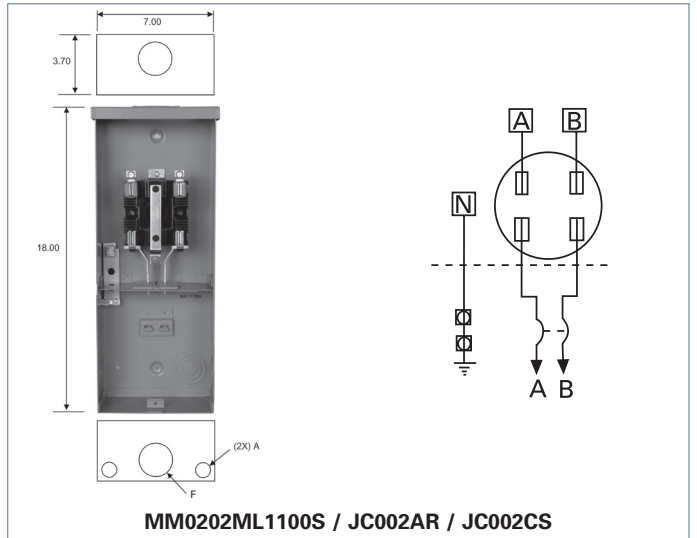
■ Product tables for above on page 2-36



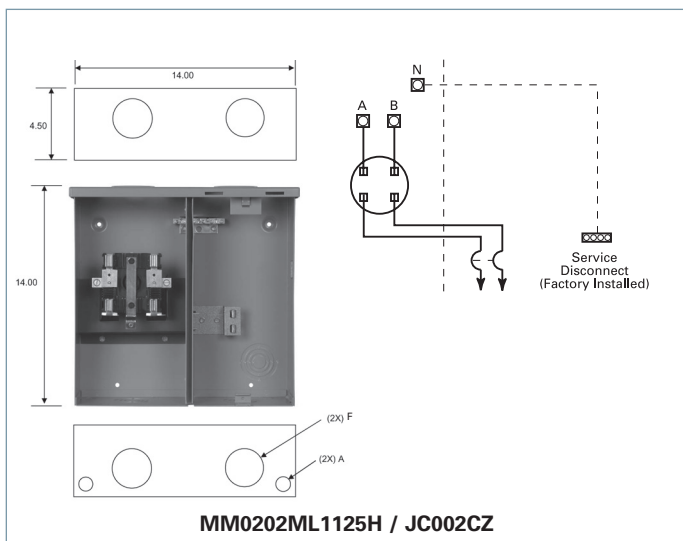
■ Product tables for above on pages 2-42 and 2-74



■ Product tables for above on pages 2-42 and 2-74



■ Product tables for above on pages 2-36 and 2-71



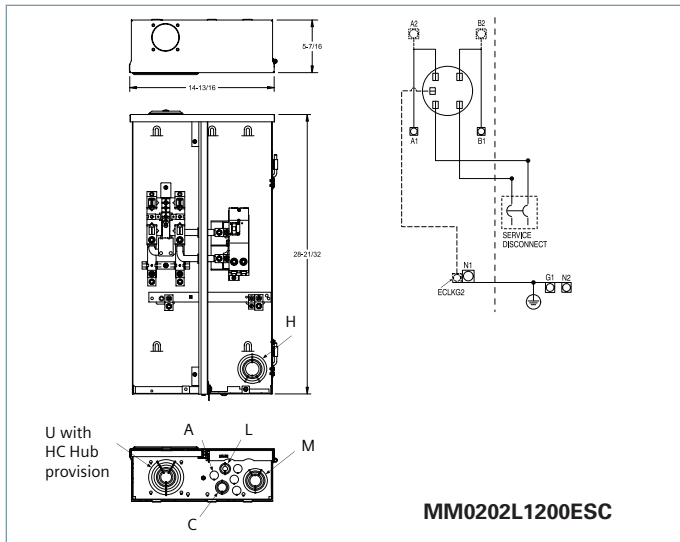
■ Product tables for above on pages 2-36 and 2-71

Knockout Code — Conduit Sizes

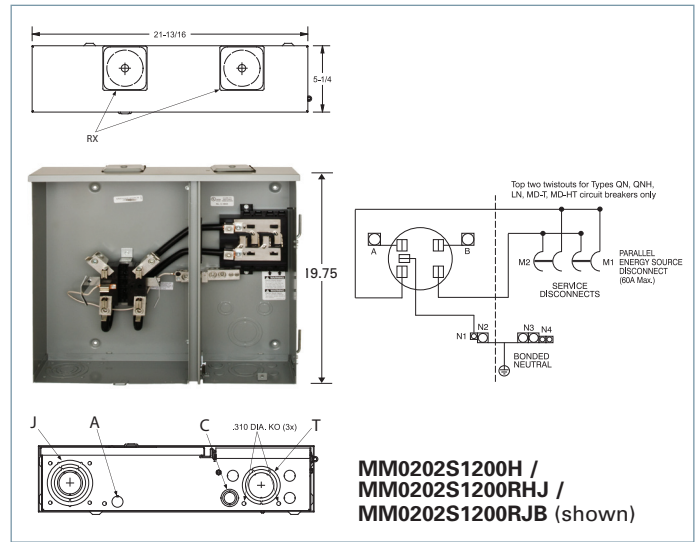
A = 1/2	L = 3/8, 1/2, 3/4
B = 1/2, 3/4	M = 3/4, 1, 1 1/4, 1 1/2, 2
C = 1/2, 3/4, 1	N = 1/4
D = 3/4, 1 1/4, 1 1/2	P = 2, 2 1/2, 3, 3 1/2, 4
E = 1, 1 1/4, 1 1/2, 2	Q = 2 1/2, 3
F = 3/4, 1, 1 1/4	R = 1/2, 3/4, 1, 1 1/4
G = 1, 1 1/4, 1 1/2	S = 1/2, 3/4, 1, 1 1/4, 1 1/2, 2, 2 1/2
H = 1, 1 1/4, 1 1/2, 2, 2 1/2	T = 1 1/2, 2, 2 1/2
J = 1 1/4, 1 1/2, 2, 2 1/2, 3	U = 3/4, 1, 1 1/4, 1 1/2, 2, 2 1/2, 3
K = 1, 1 1/4, 2, 2 1/2, 3	V = 3/4, 1, 1 1/4, 1 1/2

Meter Centers

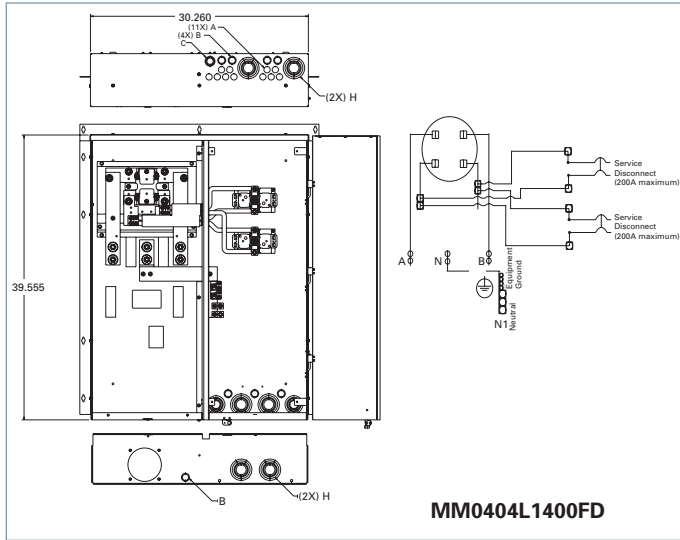
Meter Combinations Dimensions and Wiring Schematics



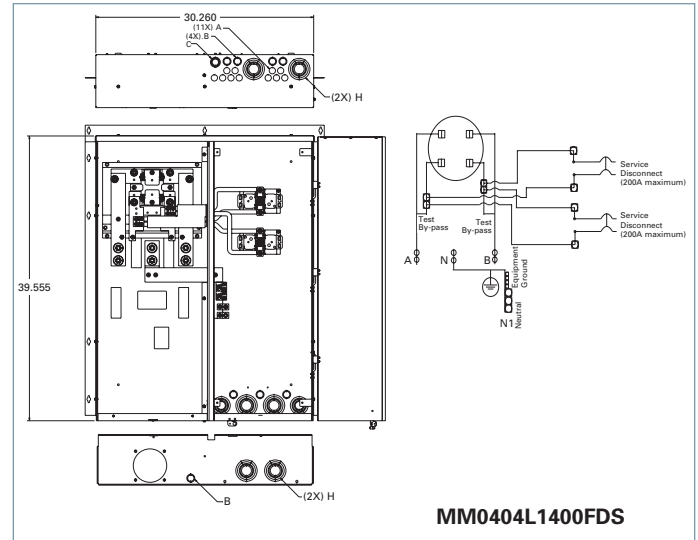
■ Product tables for above on pages 2-42 and 2-74



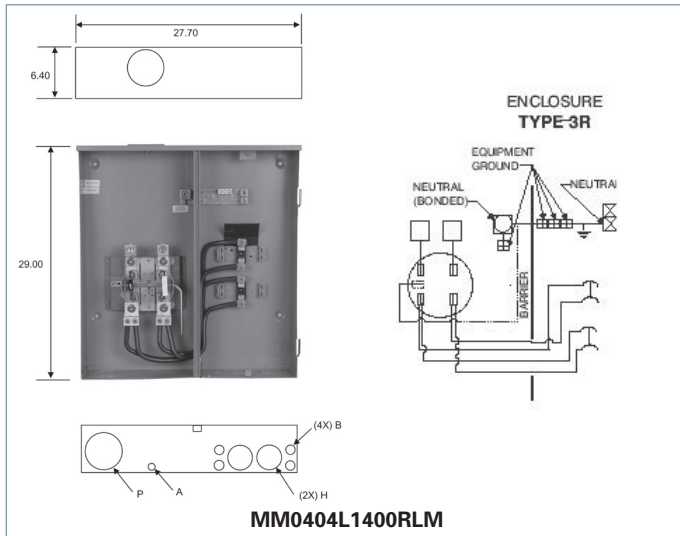
■ Product tables for above on page 2-44



■ Product tables for above on pages 2-42 and 2-74



■ Product tables for above on pages 2-42 and 2-74



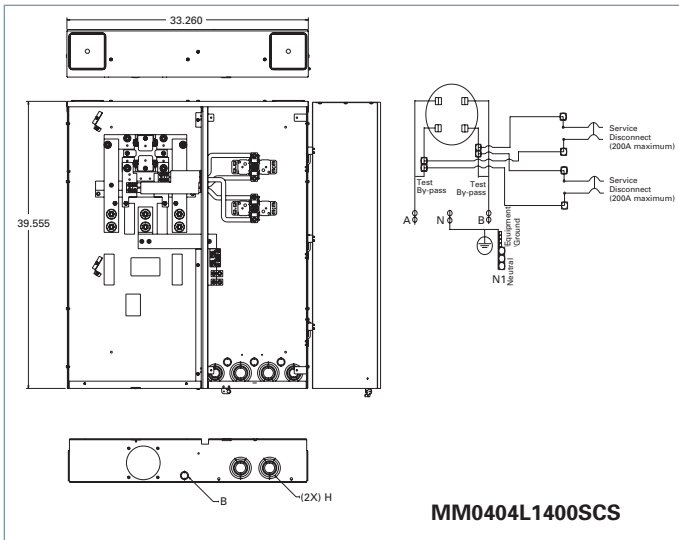
■ Product tables for above on pages 2-36 and 2-71

Knockout Code — Conduit Sizes

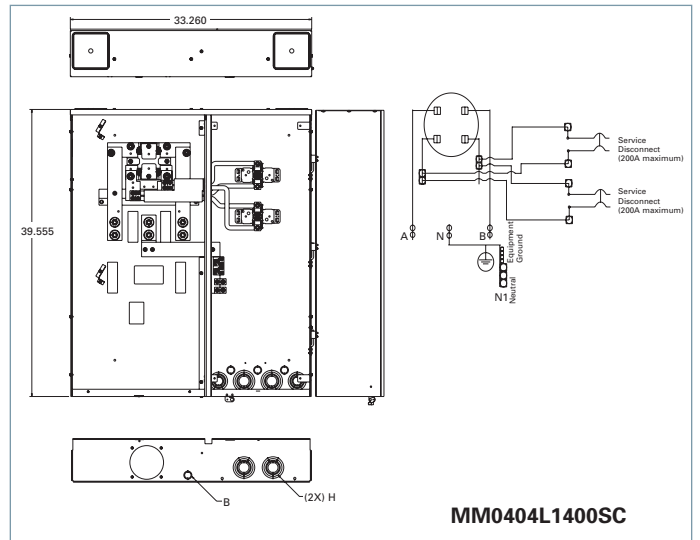
A = 1/2	L = 3/8, 1/2, 3/4
B = 1/2, 3/4	M = 3/4, 1, 1 1/4, 1 1/2, 2
C = 1/2, 3/4, 1	N = 1/4
D = 3/4, 1 1/4, 1 1/2	P = 2, 2 1/2, 3, 3 1/2, 4
E = 1, 1 1/4, 1 1/2, 2	Q = 2 1/2, 3
F = 3/4, 1, 1 1/4	R = 1/2, 3/4, 1, 1 1/4
G = 1, 1 1/4, 1 1/2	S = 1/2, 3/4, 1, 1 1/4, 1 1/2, 2, 2 1/2
H = 1, 1 1/4, 1 1/2, 2, 2 1/2	T = 1 1/2, 2, 2 1/2
J = 1 1/4, 1 1/2, 2, 2 1/2, 3	U = 3/4, 1, 1 1/4, 1 1/2, 2, 2 1/2, 3
K = 1, 1 1/4, 2, 2 1/2, 3	V = 3/4, 1, 1 1/4, 1 1/2

Meter Centers

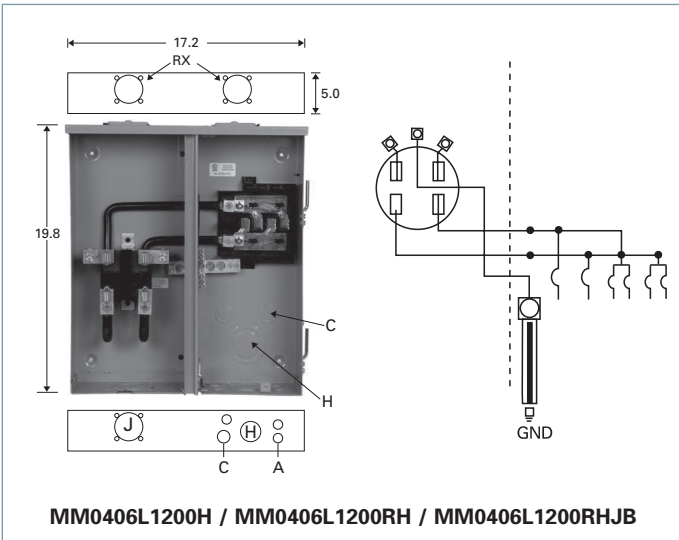
Meter Combinations Dimensions and Wiring Schematics



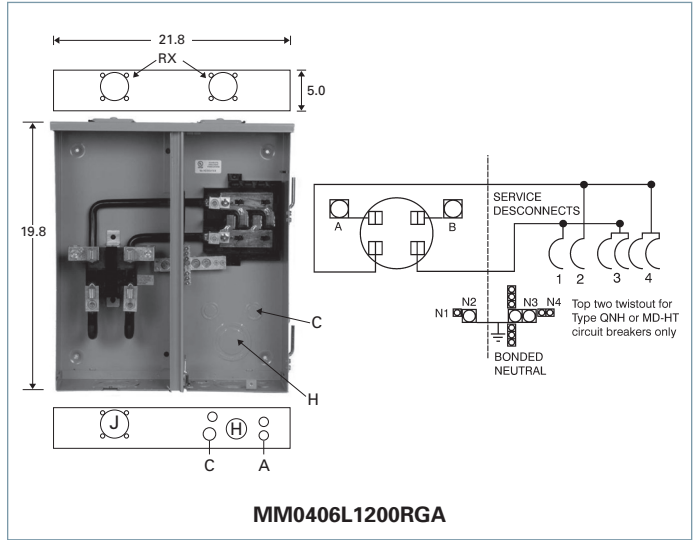
Product tables for above on pages 2-42 and 2-74



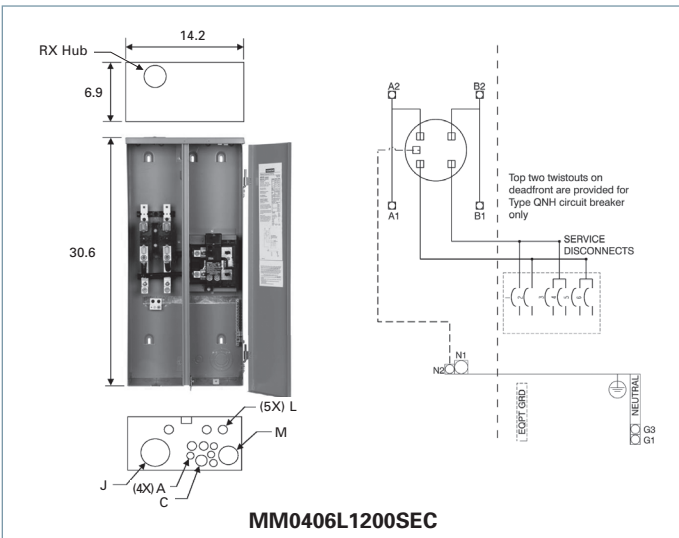
Product tables for above on pages 2-42 and 2-74



Product tables for above on pages 2-36 and 2-71



Product tables for above on page 2-36



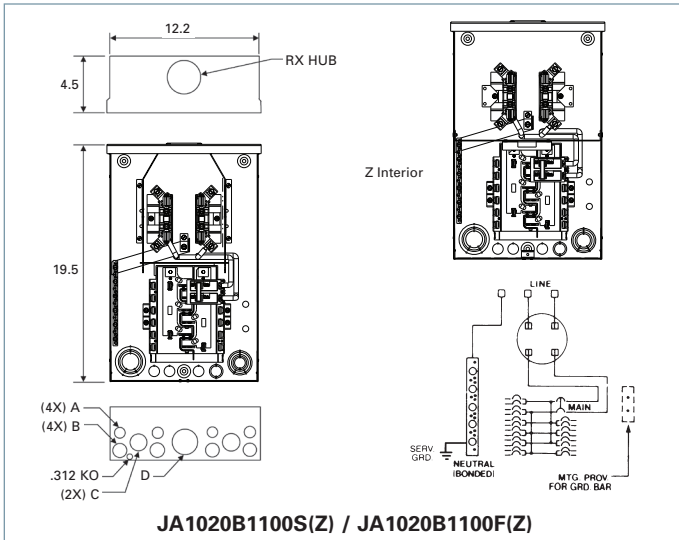
Product tables for above on pages 2-42 and 2-74

Knockout Code — Conduit Sizes

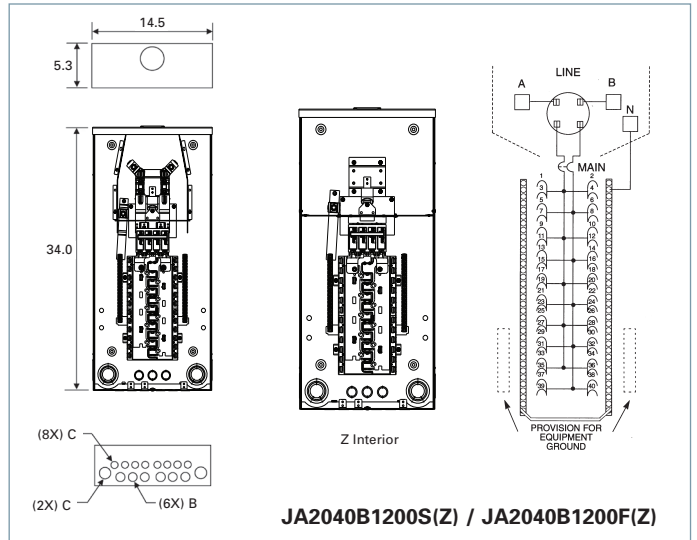
A = 1/2	L = 3/8, 1/2, 3/4
B = 1/2, 3/4	M = 3/4, 1, 1 1/4, 1 1/2, 2
C = 1/2, 3/4, 1	N = 1/4
D = 3/4, 1 1/4, 1 1/2	P = 2, 2 1/2, 3, 3 1/2, 4
E = 1, 1 1/4, 1 1/2, 2	Q = 2 1/2, 3
F = 3/4, 1, 1 1/4	R = 1/2, 3/4, 1, 1 1/4
G = 1, 1 1/4, 1 1/2	S = 1/2, 3/4, 1, 1 1/4, 1 1/2, 2, 2 1/2
H = 1, 1 1/4, 1 1/2, 2, 2 1/2	T = 1 1/2, 2, 2 1/2
J = 1 1/4, 1 1/2, 2, 2 1/2, 3	U = 3/4, 1, 1 1/4, 1 1/2, 2, 2 1/2, 3
K = 1, 1 1/4, 2, 2 1/2, 3	V = 3/4, 1, 1 1/4, 1 1/2

Meter Centers

Meter Combinations Dimensions and Wiring Schematics



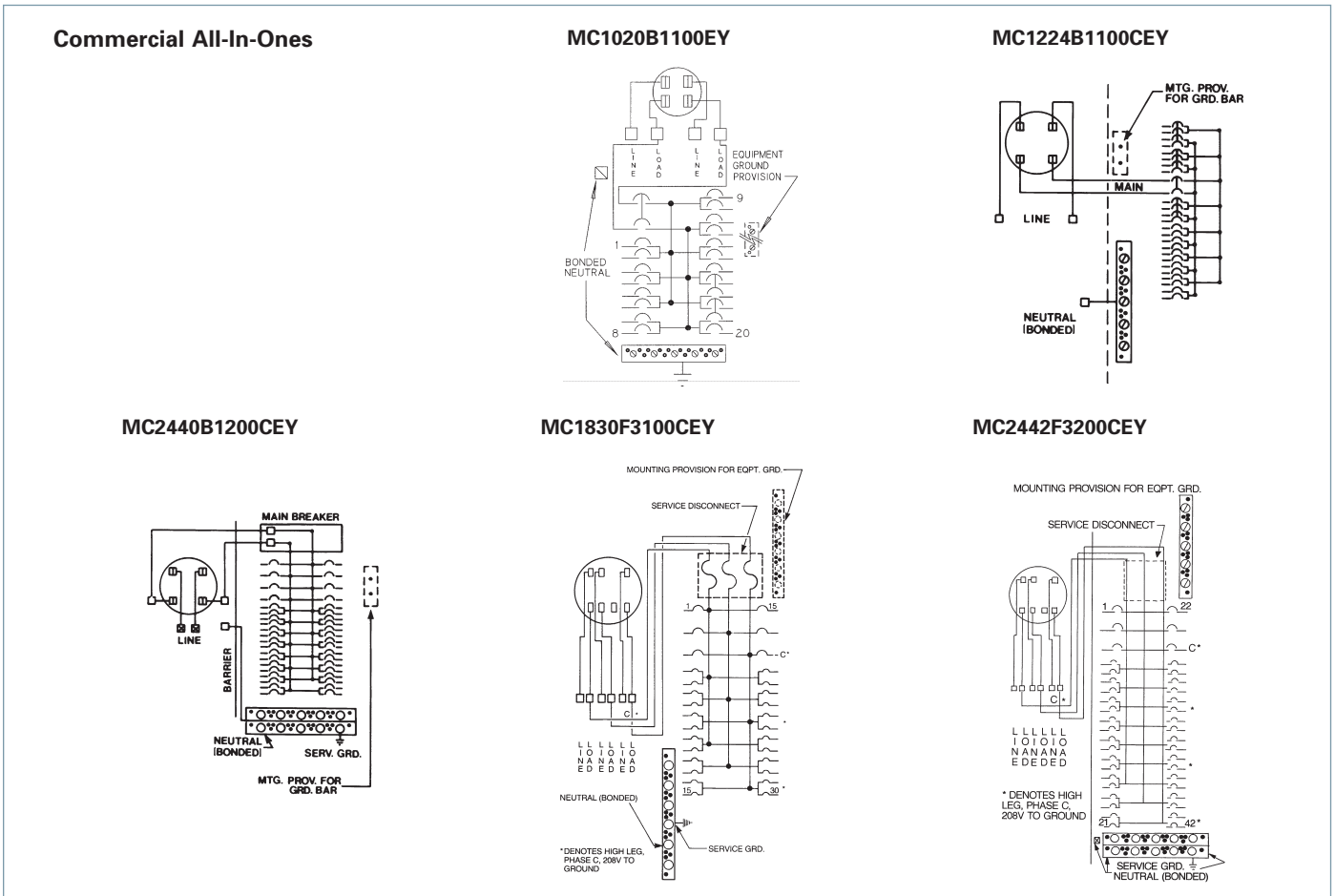
■ Product tables for above on page 2-73



■ Product tables for above on page 2-73

EUSERC Commercial Metering

Type BY Wiring Diagrams



■ Product tables for above on page 2-48

EUSERC Commercial Metering

Type BY Knockout Diagrams

■ Product tables for BY on page 2-47 and 2-48

Figure BY-1

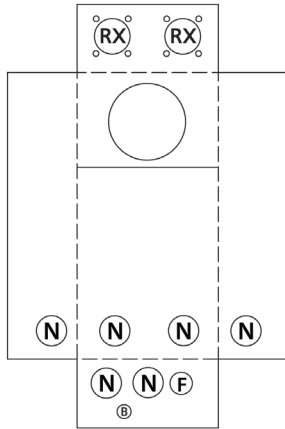


Figure BY-2

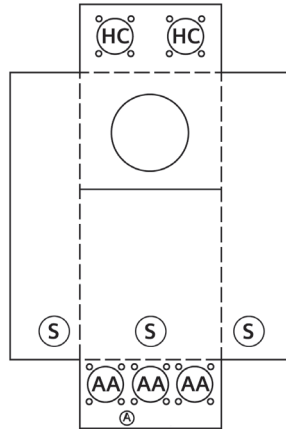


Figure BY-3

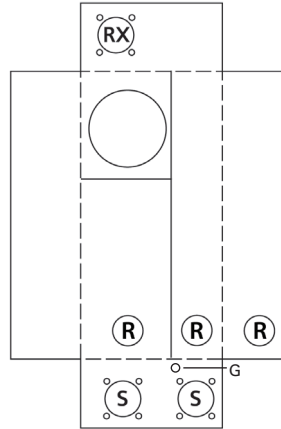


Figure BY-4

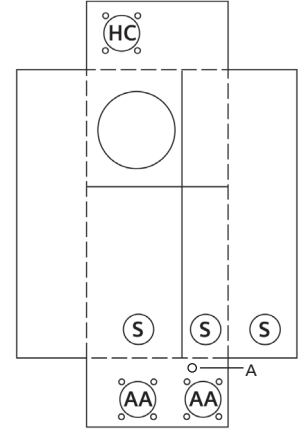


Figure BY-7

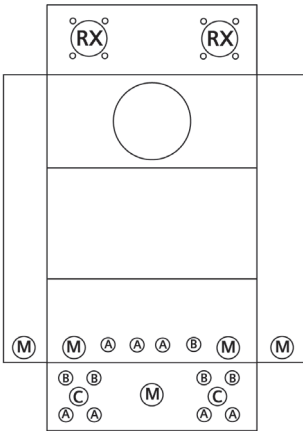


Figure BY-8

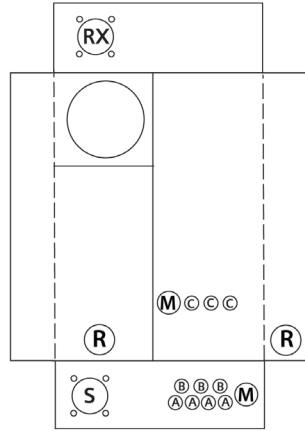


Figure BY-9

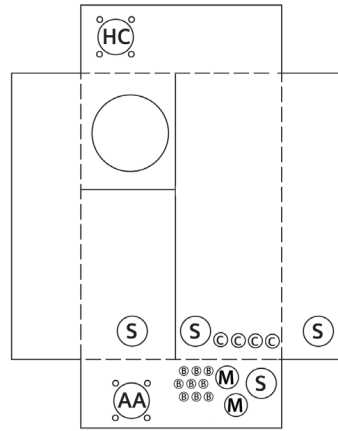
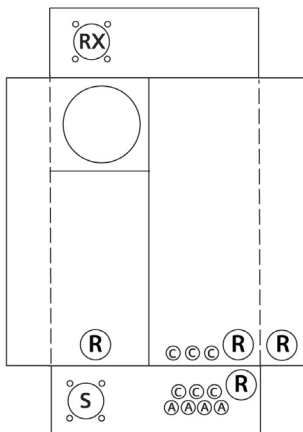


Figure BY-10

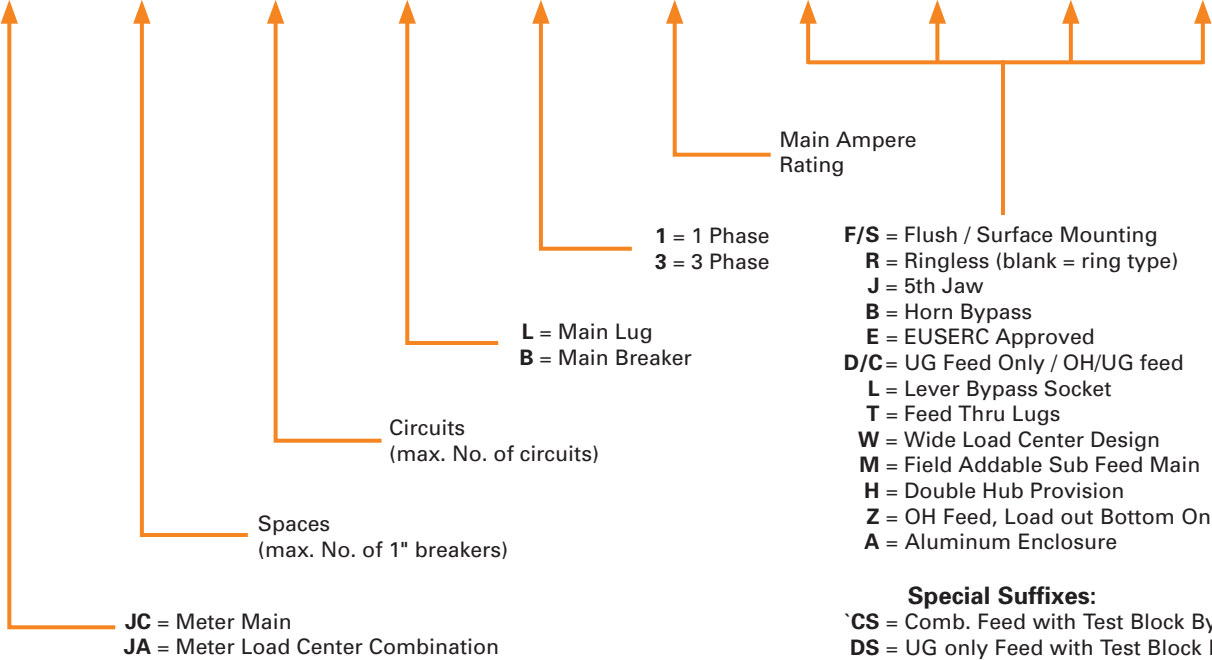


Knockout Code—Conduit Sizes

● = ¼	S = 1, 1½, 1½, 2, 2½
A = ½	T = 1½
B = ½, ¾	U = 1½, 1½
C = ½, ¾, 1	V = 1½, 1½, 2
D = ½, 1	W = 1½, 2
E = ½, ¾, 1, 1¼	X = 1½, 1½, 2, 2½
F = ½, 1¼, 1½	Y = 1½, 2
G = ¾	Z = 1½, 2, 2½
H = ¾, 1	AA = 1½, 2, 2½, 3
J = ¾, 1, 1¼	BB = 1½, 2, 2½, 3, 3½
K = ¾, 1¼	CC = 2, 2½, 3, 3½
M = ¾, 1, 1¼, 1½	EE = 2, 2½, 3
N = ¾, 1, 1¼, 1½, 2	FF = 2½, 3
P = 1, 1¼	GG = 2½, 3, 3½
Q = 1, 1¼, 1½	HH = 2½, 3, 3½, 4
R = 1, 1¼, 1½, 2	JJ = 3½, 4
	LL = 3
	VV = 2

New Style Combination Meter Sockets

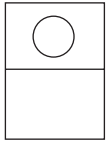
JA **30** **40** **B** **1** **200** **S** **E** **C** **W**



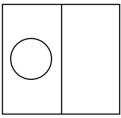
This section includes 4 product categories, which each include their own set of featured products:

Meter Mains

Murray Meter Mains are UL Listed and available from 100A to 400A services. These Meter Mains utilize a cost effective construction that is preferable in non-EUSERC areas.



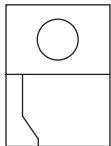
Over-Under Construction – These Murray Meter Mains feature a classic over-under construction. Available in 100A and 125A versions.



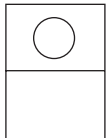
Side-By-Side Construction – These Meter Mains utilize a cost effective side-by-side construction. Meter Mains combine a socket to the left and main circuit breaker section to the right. The main breaker section includes 2 to 6 circuits.

Meter Load Center Combinations

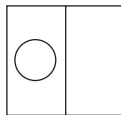
Murray Meter Load Center Combinations offer several different configurations and include a meter socket section and a load center section. These Murray combos feature a cost effective construction that is preferable in non-EUSERC areas.



Over-Under Combination Construction – These Murray Meter Load Center Combinations feature a over-under configuration with a unique trough allowing service from either overhead or underground to the device.



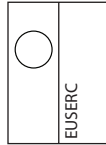
Over-Under Construction – These Murray Meter Load Center Combinations feature a classic over-under construction.



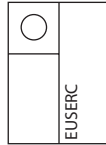
Side-By-Side Construction – These Murray Meter Load Center Combinations have a side-by-side configuration.

EUSERC Meter Mains

Murray EUSERC Meter Mains are UL Listed and available from 100A to 400A services. These meter mains utilize designs that meet EUSERC requirements. Two constructions are available.



Side-By-Side Construction – These Murray Meter Mains have a side-by-side construction that is slightly larger in order to meet EUSERC requirements.



Side-By-Side 400A Construction – These Murray Meter Mains have side-by-side construction that meets EUSERC design, and provide 400A service.

EUSERC Meter Load Center Combinations

Murray Meter Load Center Combinations offer several different configurations to meet a variety of installer demands. These Murray combos feature designs that meet EUSERC requirements.



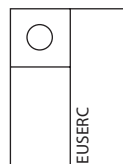
Over-Under Between the Studs Construction – These Combos have a full width load center section above, and a meter socket section below, in a 14.3" wide configuration that allows flush mounting between typical 16" on center stud construction. Surface mounting options available.



Side-By-Side Between the Studs Construction – These combos have a half width load center section to the right and a meter socket section to the left, in a 14.2" wide configuration that allows flush mounting between typical 16" on center stud construction. Surface mounting options available.



Side-By-Side Full Load Center Construction – These Murray Meter Load Center Combinations have a full width load center section to the right, and a meter socket section to the left. The overall width make this combo best suited for surface mounting.



Side-By-Side 400A Construction – These Murray Meter Mains have side-by-side construction that meets EUSERC design, and provide 400A service. Available with 16 to 42 circuits.

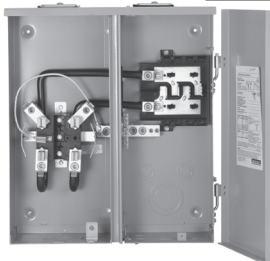
- UL listed
- Pad locking provisions on all devices
- Horn bypass and 5th jaw available as noted
- Side hinged door with one screw removal where shown
- Suitable for use only as service entrance equipment
- Contact local utility to confirm meter socket placement prior to installation
- See end of section for 5th jaw and main breaker
- See Section 2, pages 2-44 thru 2-46 for wiring diagrams and knockout details. For Murray devices, replace "MM" with "JC" details if JC number is not shown.

Figure 1



JC0202B1125RJB
meter mains, side hinge door

Figure 2



JC0406L1200RHJB
200A meter main, 6 circuits

Figure 3



JC0404L1400RLM
400A meter main, two field installed mains

Figure 4



JC002CZ
125A meter main

Figure 5



JC002CS
meter main, OH feed only

Side-By-Side Construction Meter Mains												
Amps Max.	No. of Spaces	Max. Circuits	Cover Type	Mounting	Service	Bypass Type	Catalog Number	Dimensions ^①			Figure	
								Height	Width	Depth		
125	2	2	Ring	Surface	OH	—	JC002CZ ^{②④}	14.1	14.1	4.6	4	
125	2	2	Ringless	Surface	OH/UG	Horn	JC0202B1125RJB ^③	17.0	16.0	5.0	1	
200	2	2	Ring	Surface	OH/UG	—	JC0202B1200 ^③	17.0	16.0	5.0	1	
			Ringless			—	JC0202B1200R ^③					
			Ringless			Horn	JC0202B1200RJB ^③					
200	4	6	Ring	Surface	OH/UG	—	JC0406L1200H ^③	19.8	17.2	5.0	2	
			Ringless			—	JC0406L1200RH ^③					
			Ringless			Horn	JC0406L1200RHJB ^③					
400	2	2	Ringless	Surface	OH/UG	Lever	JC0404L1400RLM ^③	29.0	27.0	6.0	3	

Over-Under Construction Meter Mains												
Amps Max.	No. of Spaces	Max. Circuits	Cover Type	Mounting	Service	Bypass Type	Catalog Number	Dimensions ^①			Figure	
								Height	Width	Depth		
100	2	2	Ring	Surface	OH	—	JC002CS ^{②④}	18.1	7.0	3.6	5	
125	2	2	Ring	Surface	OH	—	JC002AR ^{②④}	22.1	7.0	3.6	5	

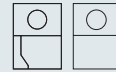
① Dimensions shown are representative of outside box length, width, & depth and do not include allowances for mounting bumps, endwalls, covers, hubs or hardware protrusions. Dimensions are subject to change.

② Not suitable for 5th jaw applications.

③ Closure plate included.

④ Provisions for MP-T Main Breaker.

Meter Load Center Combinations



Over-Under Construction Meter Load Center Combinations, 150A-200A

METER CENTERS 2

- UL listed
- Overhead and underground feed applications
- Underground feed accomplished by use of removable gutter trough
- Load wires bottom or back exit only
- 22,000 AIC rated
- Pad locking provisions on all devices
- Side hinge doors removable by backing out only one screw
- Suitable for use only as service entrance equipment
- RX type hub provision on top end wall
- HC type hub provision on bottom end wall
- Field addable 5th Jaw (EC5J2)
- Contact local utility to confirm meter socket placement prior to installation
- See end of section for 5th jaw and main breaker
- See Section 2, pages 2-34 thru 2-42 for wiring diagrams and knockout details. For Murray devices, replace "MC" with "JA" details if JA number is not shown.



Over-Under Combination Construction Meter Load Center Combinations											
Amps Max.	No. of Spaces	Max. Circuits	Cover Type	Mounting	Service	Bypass Type	Catalog Number	Dimensions			Figure
								Height	Width	Depth	
150	4	8	Ringless	Surface	OH/UG	—	JA0408B1150RT [Ⓞ]	30.0	14.0	5.0	2
			Ring				JA0408B1150T [Ⓞ]				
150	8	16	Ring			—	JA0816B1150CT [Ⓞ]	32.0			3
			Ringless				JA0816B1150RCT [Ⓞ]				
200	12	6	Ring			—	JA0606L1200 ^{ⓄⓈⓈⓈ}	27.0			1
			Ringless				JA0606L1200R ^{ⓄⓈⓈⓈ}				
			Ringless				JA0606L1200RA ^{ⓄⓈⓈⓈ}				
200	4	8	Ringless			—	JA0408B1200RT [Ⓞ]	30.0			2
			Ring				JA0408B1200T [Ⓞ]				
200	8	16	Ring			—	JA0816B1200CT [Ⓞ]	32.0			3
			Ringless	JA0816B1200RCT [Ⓞ]							

Over-Under Construction Meter Load Center Combinations											
Amps Max.	No. of Spaces	Max. Circuits	Cover Type	Mounting	Service	Bypass Type	Catalog Number	Dimensions			Figure
								Height	Width	Depth	
200	8	16	Ringless	Surface	OH	—	JA0816B1200RT	29.0	12.0	5.2	4
			Ring				JA0816B1200T				

Ⓞ No main breaker provided. Accept MD-T or MP-T type 2 or 4-pole breakers.
 Ⓢ Suitable for use as service entrance equipment when not more than six disconnecting means are provided and when not used as a lighting or appliance panel board.

Ⓢ Due to wire space restrictions on the trough side, the left side of the interior is limited to a 60A max branch.
 Ⓢ Aluminum enclosure.
 Ⓢ Suitable for use as service entrance equipment when not more than six disconnecting means are provided and when not used as a lighting and appliance panel branch circuit panel board.

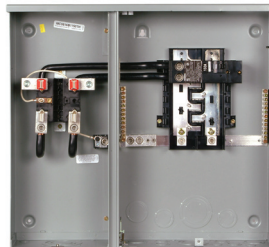
Meter Load Center Combinations



Meter Load Center Combinations, 100A-400A

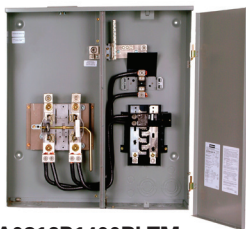
- UL listed
- 22,000 AIC Rated
- Pad locking provisions on all devices
- Side hinge doors removable by backing out only one screw
- Suitable for use only as service entrance equipment
- Contact local utility to confirm meter socket approval prior to installation
- See end of section for 5th jaw and main breaker
- See Section 2, pages 2-36 thru 2-50 for wiring diagrams and knockout details. For Murray devices, replace "MC" with "JA" details if JA number is not shown.

Figure 1



JA0816B1200TH
OH/UG feed, with feed thru lugs

Figure 2



JA0816B1400RLTM
factory installed 200A main and provision for 2nd 60A-200A main

Figure 3



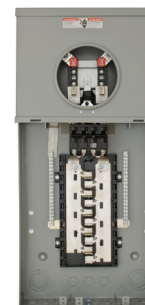
JA3042B1400SDL
400A, factory installed 200A main and provision for 2nd 60A-200A main

Figure 4



MC1020B1100S
100A, OH feed only, 20 circuits

Figure 5



MC2040B1200S
200A, OH feed only, 40 circuits

Side-By-Side Construction Meter Load Center Combinations^②

Amps Max.	No. of Spaces	Max. Circuits	Cover Type	Mounting	Service	Bypass Type	Catalog Number	Dimensions			Figure		
								Height	Width	Depth			
150	8	16	Ringless	Surface	OH/UG	—	JA0816B1150RTH ^{③④}	21.0	22.9	5.0	1		
			Ring				JA0816B1150TH ^{③④}						
			Ringless				JA0816B1200RTH ^{③④}						
			Ring				JA0816B1200TH ^{③④}						
200	20	40	Ring			—	JA2040B1200 ^⑤	18.0	29.0	27.0		6.0	2
350	8	16	Ringless			Lever	JA0816B1350RLTM ^①						
400	4	8				JA0408B1400RLTM ^①							
400	8	16				JA0816B1400RLTM ^①							

Side-By-Side 400A Construction Meter Load Center Combinations

Amps Max.	No. of Spaces	Max. Circuits	Cover Type	Mounting	Service	Bypass Type	Catalog Number	Dimensions			Figure
								Height	Width	Depth	
400	30	42	Ring	Surface	UG	Lever	JA3042B1400SDL	40.0	30.0	6.5	3

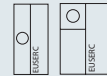
Over-Under Construction Meter Load Center Combinations^{③④⑦⑧}

Amps Max.	No. of Spaces	No. of Circuits	Cover Type	Mounting	Service	Bypass Type	Old Catalog Number	New Catalog Number	Dimensions			Figure
									H	W	D	
100	10	20	Ring	Flush	OH	none	JA1020B1100F	MC1020B1100F ^④	19.4	12.1	4.4	4
				Surface			JA1020B1100S	MC1020B1100S				
				Flush			—	MC1020B1100FZ ^⑤				
				Surface			—	MC1020B1100SZ ^⑤				
200	20	40	Ring	Flush	OH	none	JA2040B1200F	MC2040B1200F	30.5	14.3	5.1	5
				Surface			JA2040B1200S	MC2040B1200S			4.4	
				Flush			—	MC2040B1200FZ ^⑤			5.1	
				Surface			—	MC2040B1200SZ ^⑤			4.4	

① Feed thru lugs included.
 ② Side by side design for OH/UG applications.
 ③ Over/under design for OH applications.
 ④ Semi-Flush mounting only.

⑤ Z=Solid horizontal barrier. Load wires exit back or bottom only.
 ⑥ Dimensional and other technical data is applicable for "New Catalog Numbers" ONLY.

⑦ UL Listed for Siemens and Murray breakers.
 ⑧ Old Catalog Numbers JA1020B1100SP and JA2040B1200SP are obsolete with no replacement.



EUSERC Side-By-Side Construction Meter Mains, 125A-400A

- UL listed
- For overhead and underground feed applications
- Designed to meet EUSERC standards
- 22,000 AIC Rated
- Pad locking provisions on all devices
- Surface and semi-flush units available - semi flush rails are depth adjustable for 2x6 studs
- Side hinge door removable by backing out only one screw
- Load wiring may exit top or bottom
- Suitable for use only as service entrance equipment
- RX type hub provision on top endwall, HC type hub provision on bottom endwall
- 5th jaw accessory available (EMC5J)
- Ring type meter covers
- Contact local utility to confirm meter socket approval prior to installation
- See end of section for 5th jaw and main breaker
- See Section 2, pages 2-36 thru 2-50 for wiring diagrams and knockout details. For Murray devices, replace "MM" with "JC" details if JC number is not shown.



Side-By-Side Construction Meter Mains ^{⑥⑦}												
Amps Max	No. of Spaces	No. of Circuits	Cover Type	Mounting	Service	Bypass Type	Old Catalog Number	New Catalog Number	Dimensions			Figure
									H	W	D	
125	2	2	Ring	Flush	OH/UG	none	JC0406L1125FEC	MM0202L1125EFC	23.6	14.5	5	1
125				Surface			JC0406L1125SEC	MM0202L1125ESC				
200	2	2	Ring	Flush	OH/UG	none	—	MM0202L1200EFC	28.6	14.5	7	
200				Surface			JC0406L1200FEC	MM0202L1200ESC			5	
100	2	2	Ring	Surface	OH/UG	none	JC0406L1200SEC	MM0202B1100ESC	23.6	14.5	5	
200				Surface			—	MM0202B1200ESC				

Side-By-Side 400A Construction Meter Mains ^②									
Amps Max.	No. of Spaces	Max. Circuits	Mounting	Service	Catalog Number	Dimensions ^①			Figure
						Height	Width	Depth	
400	4	2	Surface	OH/UG	JC0404L1400SC ^{④⑤}	39.7	33.2	6.4	2
			Flush	UG	JC0404L1400FD ^{④⑤}		30.2	7.4	
400	4	2	Surface	OH/UG	JC0404L1400SCS ^{④⑥}	39.7	33.2	6.4	2
			Flush	UG	JC0404L1400FDS ^{④⑥}		30.2	7.4	

① Dimensions shown are representative of outside box length, width, and depth and do not include allowances for mounting bumps, endwalls, covers, hubs or hardware protrusions. Dimensions are subject to change.

② Main breaker not included.
 ③ Test block bypass.
 ④ Main breaker: (2) Field QP(H) or QNR(H).
 ⑤ No 5th Jaw available.

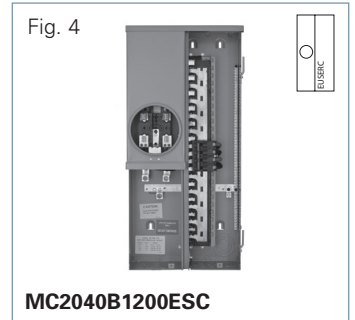
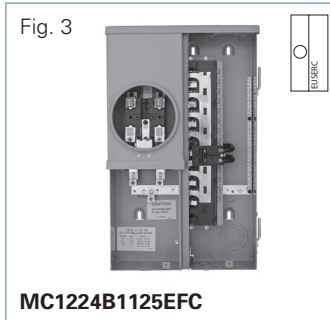
⑥ Dimensional and other technical data is applicable for "New Catalog Numbers" ONLY.
 ⑦ UL Listed for Siemens and Murray breakers.

EUSERC Meter Load Center Combos



EUSERC Meter Load Center Combinations, 100A-225A

- UL listed
- For overhead and underground feed applications
- Designed to meet EUSERC standards
- 22,000 AIC Rated
- Pad locking provisions on all devices
- Surface and semi-flush units available - semi flush rails are depth adjustable for 2x6 studs
- Side hinge door removable by backing out only one screw
- Load wiring may exit top or bottom
- Suitable for use only as service entrance equipment
- RX type hub provision on top endwall, HC type hub provision on bottom endwall
- Ring type meter covers
- Contact local utility to confirm meter socket approval prior to installation
- 5th jaw accessory available
- See end of section for 5th jaw and main breaker
- See Section 2, pages 2-36 thru 2-50 for wiring diagrams and knockout details. For Murray devices, replace "MC" with "JA" details if JA number is not shown.



Over-Under Between the Studs Construction Meter Load Center Combinations

Amps Max.	No. of Spaces	Max. Circuits	Mounting	Service	Catalog Number	Dimensions ^①			Figure
						Height	Width	Depth	
200	12	12	Flush	UG	JA1212L1200FED ^①	38.4	14.4	7.4	1
			Surface		JA1212L1200SED ^②				
200	20	40	Surface	UG	JA2040B1200SED	41.9	14.4	7.4	2
			Flush		JA2040B1200FED				
200	30	42	Surface	UG	JA3042B1200SED	48.8	14.4	7.4	2
			Flush		JA3042B1200FED				
225			Surface		JA3042B1225SED				
			Flush		JA3042B1225FED				



Side-By-Side Full Load Center Construction Meter Load Center Combinations

Amps Max.	No. of Spaces	No. of Circuits	Mounting	Service	Catalog Number	Height	Width	Depth	Figure
200	30	40	Surface	OH/UG	JA3040B1200SECW ^③	32.3	21.0	5.2	5
	40				JA4040B1200SECW ^③				

Side-By-Side Between the Studs Construction Meter Load Center Combinations^{③④⑤}

Amps Max.	No. of Spaces	No. of Circuits	Cover Type	Mounting	Service	Bypass Type	Old Catalog Number	New Catalog Number	Dimensions			Figure
									H	W	D	
100	12	24	Ring	Flush	OH/UG	none	JA1224B1100FEC	MC1224B1100EFC	23.6	14.5	5	3
				Surface			JA1224B1100SEC	MC1224B1100ESC				
125	12	24	Ring	Flush	OH/UG	none	JA1224B1125FEC	MC1224B1125EFC	23.6	14.5	5	3
				Surface			JA1224B1125SEC	MC1224B1125ESC				
200	20	40	Ring	Flush	OH/UG	none	JA2442B1200FEC	MC2040B1200EFC	31	14.5	7	4
				Surface			JA2442B1200SEC	MC2040B1200ESC			5	
225	24	42	Ring	Surface	OH/UG	none	—	MC2442B1225ESC	35	14.5	5	
				Flush			—	MC2442B1225EFC			7	
200	24	42	Ring	Surface	OH/UG	none	—	MC2442B1200ESC	35	14.5	5	
				Flush			—	MC2442B1200EFC			7	
	8	16	Ring	Flush	OH/UG	none	—	MC0816B1200EFN	29.75	14.5	7	
				Surface			—	MC0816B1200ESN			5	

① Suitable for use as service entrance equipment when not more than six main disconnecting means are provided and when not used as a lighting and appliance panel board.

② FRK1 - Flush rail kit.

③ Dimensional and other technical data is applicable for "New Catalog Numbers" ONLY.

④ Old Catalog Numbers JA1632B1100FEC, JA1632B1100SEC and JA1632B1125FEC are obsolete with no replacement.

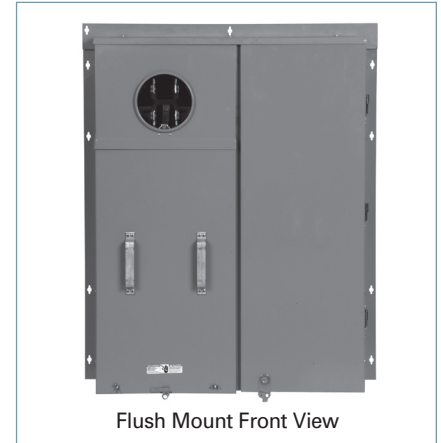
⑤ UL Listed for Siemens and Murray breakers.

EUSERC Meter Load Center Combinations



EUSERC Side-By-Side Construction Meter Load Center Combinations, 400A

- UL Listed
- 400A Max, 320A Continuous
- Meter socket options include 320A (400A max) lever bypass, non-bypass, test block bypass, and bolt on
- Load center options include a meter main, 8 space panel with feed through lugs, 30 space panels
- 22,000 AIC Rated
- Accepts HD Type Hubs
- Factory installed flush mount option
- Surface mount devices accept field added flush rails
- Suitable for use only as service entrance equipment
- Contact local utility to confirm meter socket acceptance prior to installation
- Designed to meet EUSERC
- See Section 2, pages 2-36 thru 2-50 for wiring diagrams and knockout details. For Murray devices, replace "MC" with "JA" details if JA number is not shown.



Accessories

Description	Catalog Number
Flush Rail Kit for UG only devices	ECFRK1
Flush Rail Kit for OH/UG feed devices	ECFRK2
2" HD Type Hub	EC56854
2 1/2" HD Type Hub	EC56855
3" HD Type Hub	EC56856
3 1/2" HD Type Hub	EC56857
4" HD Type Hub	EC56858
HD Closure Plate	EC56933S
Snap on Sealing Ring	SRSS
Stainless Steel Screw Type Sealing Ring	SRSW
(2) #6-350 kcmil	UK350TA
(1) #2-600 kcmil	UK600TA
(2) 500-1000 kcmil	UK1000TA

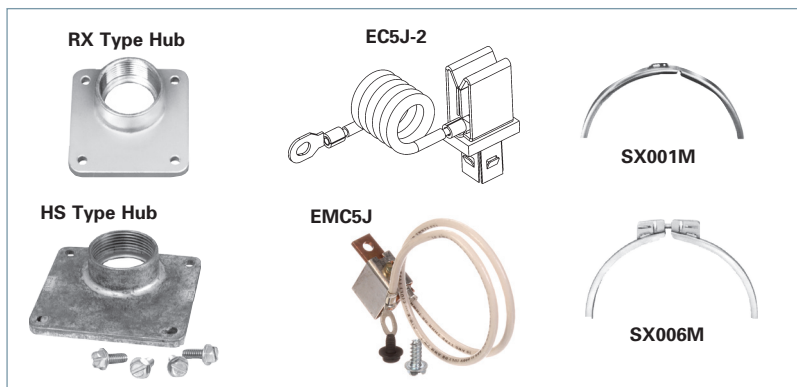
Side-By-Side 400A Construction Meter Load Center Combinations										
Amps Max.	No. of Spaces	Max. Circuits	Mounting	Service	Meter Socket	Catalog Number	Main Breaker	Dimensions		
								Height	Width	Depth
400	8	16	Surface	OH/UG	Plug In	JA0816B1400SC	Factory QN2200RH, Field QP(H), QNR(H)	39.7	33.2	6.4
			Flush	UG		JA0816B1400FD			30.2	7.4
400	8	16	Surface	OH/UG	Test Blk	JA0816B1400SCS	Factory QN2200RH, Field QP(H), QNR(H)	39.7	33.2	6.4
			Flush	UG		JA0816B1400FDS			30.2	7.4
400	30	42	Surface	UG	Plug In	JA3042B1400SD	Factory QN2200RH, Field QP(H), QNR(H)	39.7	30.2	6.4
					Test Blk	JA3042B1400SDS				
					Bolt In	JA3042B1400SDB				
400	30	42	Flush	UG	Plug In	JA3042B1400FD	Factory QN2200RH, Field QP(H), QNR(H)	39.7	30.2	7.4
			Surface	OH/UG		JA3042B1400SC			33.2	6.4
400	30	42	Flush	UG	Test Blk	JA3042B1400FDS	Factory QN2200RH, Field QP(H), QNR(H)	39.7	30.2	7.4
			Surface	OH/UG		JA3042B1400SCS			33.2	6.4

© 5th Jaw available. Use H35815-2.

Combination Meter Sockets



Electriccenter Accessories



Interchangeable Hubs

Conduit Size (Inches) Lbs.	Catalog Number
RX Type Hubs	
¾	EC38594
1	EC38596
1¼	EC38597
1½	EC38598
2	EC38599
2½	EC38600
HC Type Hubs	
2	ECHC200
2½	ECHC250
3	ECHC300
Accessories and Closure Plates	
Adapter Plate HD to RX	EC9747-1113
Adapter Plate HC to RX	HCRXA
Closure Plates	EHC000 (HC) ECHS000 (HS) ECHV000 (HV) EC38595 (RX)

Grounding Bars (Al/Cu — except where noted)

Grounding bars are for use where grounding of electrical outlets and devices is by means of conductors. Each bar is equipped with large connectors rated for one #14-1/0 or, two or three #14-10 Cu/Al and small connectors rated for one #14-6 or, two #14-12 Cu/Al. (May be restricted by wire bending space.)

Length	Number of Connectors			Catalog Number
	Total	Large	Small	
1½	4	0	4	ECLX068M
2½ ⁶	7	2	5	ECLX069M
3½	11	3	8	ECLX071M
4½	15	4	11	ECLX072M
5¾	19	5	14	ECLX073M
7	23	6	17	ECLX074M
8½	27	7	20	ECLX075M

Sealing Rings

Description	Catalog Number
Snap-on type, aluminum	SRSTD
Screw type, aluminum	SRSW

Miscellaneous Accessories

Description	Catalog Number
Plastic Meter Opening Cover (JA, JC)	ECPP
Plastic Meter Cover Ringless (JB)	ECPP3
Fifth Jaw (for old style JA & JC units only)	EC5J
5th Jaw for new style JA & JC devices	EMC5J / EC5J2
5th Jaw for 400A @ 9:00 with shield (see chart)	H35815-2
NEMA Stud Mechanical Lugs for JB, JK and JL units [Ⓛ] (2) #6-350 kcmil (1) #2-600 kcmil Al/Cu (2) #500-1000 kcmil Al/Cu	UK350TA UK600TA UK1000TA
Neutral Feeder Lugs #2-1/0 #4-2/0 #1-350 kcmil	ECLK1 ECLK2 ECLK3

Catalog Number	Main Breaker	5th Jaw
JC0406L1200H	Provision for (1) MD-T, MD-HT or (2) MP-T, MP-HT	EMC5J
JC0406L1200RH		EMC5J
JC0406L1200RHJB		Included
JC0404L1400RLM	Provision for (2) MD-T(R), MD-HT(R), MP-T, MP-HT	H35815-2
JC0202B1125RJB	MP2125KH	Included
JC0202B1200	MPD2200KH	EMC5J
JC0202B1200R	MPD2200KH	EMC5J
JC0202B1200RJB	MPD2200KH	Included
JA0408B1150T	ME9683	EC5J2
JA0408B1150RT	ME9683	EC5J2
JA0816B1150CT	ME9683	EC5J2
JA0816B1150RCT	ME9683	EC5J2
JA0606L1200	②	EC5J2
JA0606L1200R	②	EC5J2
JA0606L1200RA	ME9683	EC5J2
JA0408B1200T	ME9683	EC5J2
JA0408B1200RT	ME9683	EC5J2
JA0816B1200CT	ME9683	EC5J2
JA0816B1200RCT	ME9683	EC5J2
JA0816B1200RT	QN2200RH	NA
JA0816B1200T	QN2200RH	NA
JA0816B1150RTH	MPD2150RH	EMC5J
JA0816B1150TH	MPD2150RH	EMC5J
JA0816B1200RTH	MPD2200RH	EMC5J
JA0816B1200TH	MPD2200RH	EMC5J
JA2040B1200	MPD2200RH	EMC5J
JA0816B1350RLTM	MPD2150RH	EMC5J
JA0408B1400RLTM	MPD2200RH	EMC5J
JA0816B1400RLTM	MPD2200RH	EMC5J
JA3042B1400SDL	MPD2200RH	EC35815
JA1020B1100S(Z)	MP2100KH	EC5J2
JA1020B1100F	MP2100KH	EC5J2
JA2040B1200S(Z)	EQ9685	EC5J2
JA2040B1200F	EQ9685	EC5J2
JA1212L1200FED	NA	EC5J2
JA1212L1200SED	NA	EC5J2
JA2040B1200FED	MBK200M	EC5J2
JA2040B1200SED	MBK200M	EC5J2
JA3042B1200FED	MBK200M	EC5J2
JA3042B1200SED	MBK200M	EC5J2
JA3042B1225FED	MBK225M	EC5J2
JA3042B1225SED	MBK225M	EC5J2
JA1224B1100FEC	MP2100KH	EMC5J
JA1224B1100SEC	MP2100KH	EMC5J
JA1632B1100FEC	MP2100KH	EMC5J
JA1632B1100SEC	MP2100KH	EMC5J
JA1224B1125FEC	MP2125KH	EMC5J
JA1224B1125SEC	MP2125KH	EMC5J
JA1632B1125FEC	MP2125KH	EMC5J
JC0406L1125FEC	MP2125KH	EMC5J
JC0406L1125SEC	MP2125KH	EMC5J
JA2442B1200FEC	MEQ9985	EMC5J
JA2442B1200SEC	MEQ9985	EMC5J
JC0406L1200FEC	MEQ9985	EMC5J
JC0406L1200SEC	MEQ9985	EMC5J
JA0816B1200SCTM		EMC5J
JA3040B1200SECW	MPD2200RH	EMC5J
JA4040B1200SECW	MPD2200RH	EMC5J

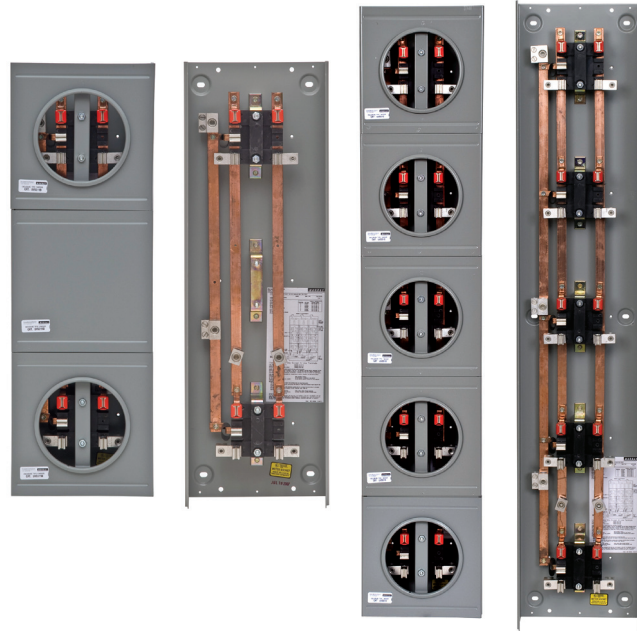
Ⓛ Order one for each phase and neutral.

② No main breaker provided. Accept MD-T or MP-T type 2 or 4-pole breakers.

General Information

Product Descriptions

Murray New York City Apartment Metering is a versatile, unassembled modular metering product comprised of separate modules that may be assembled to produce a variety of configurations. Only those standard modules shown in this publication will be sold. Installation instructions are shipped with the product. The modules are:



Meter Stacks

Meter Stacks are available from 2 to 5 meter positions, arranged vertically and pre-bussed on the line side. Each meter position is rated 100 amps continuous (125 amps maximum), 5 jaw, with the 5th jaw located at 9 o'clock and connected to the stack neutral bus. Indoor mounting only.

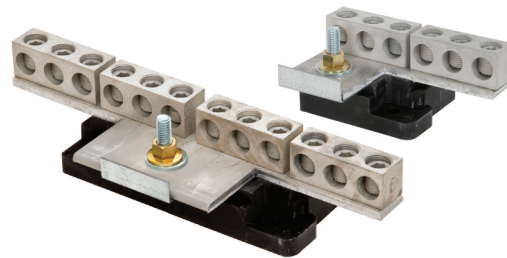
Line Troughs

Line troughs are indoor horizontal wireways that support the meter stacks and supply unmetered line power to meter stack bus. Line trough is available from 2 to 5 stack positions and may be ganged by means of couplers to accommodate 6 or more stacks. Phase blocks and line terminals are required to terminate line conductors and to provide means to field wire each stack. Trough end walls are ordered separately.



Phase Blocks

Phase blocks are required to terminate line conductors and provide terminals for field connection to each stack bus. Phase blocks are available with 3, 6 or 12 take-off lugs.



System Parameters

- Mounting: Indoor only
- Input: 208Y/120V AC, 3 Phase, 4 Wire or 120/240V AC, 1 Phase, 3 Wire
- Maximum line terminal- (2) 500 kcmil/phase
- Output: 120Y/208V AC, 1 Phase, 3 wire or 120/240V AC, 1 Phase, 3 Wire 100 Amps continuous/meter position (125 amps maximum)
- Meter Sockets: 5 jaw, with 5th jaw located at 9 o'clock and electrically connected to neutral bus
- Tenant Circuit Breakers: Use Murray Type MP-T 2 pole plug-on circuit breakers, (100 amps maximum)

Getting Started

Before ordering components, the following should be known:

- Installation instructions are shipped with the product
- Number of meter positions
- Amp rating of each meter position
- Voltage and phase of incoming line
- Line conductor size and quantity
- Vertical and horizontal space limitations, if any

Meter stacks are 10" wide and are 10" high for each meter position, or blank position. (A 3-high stack with no blank positions would be 10" wide and 30" high). When considering the overall height of an installation, you must add the height of the line trough (12") and the breaker trough (16") to the stack height.

An installation of 3-high stacks would be 58" in overall height (30" + 12" + 16" = 58").

All meter stacks in the same meter bank must be the same height to allow the breaker trough to fit on top of the stacks.

Line Terminal Kits

Line terminals are available in kits of 4 terminals each. The terminals are tang lugs which mount on threaded studs provided on the phase blocks. Terminals are available in 3 sizes:

- (1) 350 kcmil
- (1) 500 kcmil
- (2) 500 kcmil maximum



Breaker Troughs

Breaker troughs are horizontal indoor wireways that contain provisions for plug-in circuit breakers used as tenant mains. The trough bolt to the top of the meter stacks. Field wiring connects each meter socket to a circuit breaker mounting block. Breaker troughs are available in 2 to 5 stack positions and can be ganged to accommodate 6 or more stacks. Trough end walls are ordered separately.



End Wall Kits

These kits contain 4 end walls; 2 end walls for the line trough and 2 end walls for the breaker trough.

Circuit Breakers

New York City Apartment Metering uses standard 2-pole plug-on circuit breakers, Murray Type MP-T, 100 amps maximum.



Coupler Kits

These kits each contain 2 trough coupler straps; one for the line trough and one for the breaker trough. These couplers mount using the same mounting screw holes as the end walls.

Line Trough Spacer Kits

These kits may be used to increase wire bend space between the first phase block and line entrance end wall, if necessary. They connect to line troughs with a standard coupling kit. Trough end walls are ordered separately.

Use Selection Chart #1 and Specification Chart #1

Knowing the number of meter positions, and the height and width requirements, select quantity and catalog number of stacks from Selection Chart #1. The height dimension in this chart includes line and breaker troughs. For specs, refer to Specification Chart #1.

Specification Chart #1—Meter Stacks 300V AC max., 100 Amps/Position Continuous Duty, 1 or 3 Phase Network

Meter Positions	Height ^① (Inches)	Catalog Number	Wire Range Line Terminals
2	20	UVS210	#6-4/0
2	30	UVS311B	#6-4/0
3	30	UVS310	#6-4/0
3	40	UVS411B	#6-4/0
4	40	UVS410	#6-4/0
4	50	UVS511B	#6-4/0
5	50	UVS510	#6-4/0

① All stacks are 10" wide.

Selection Chart #1—Meter Bank Height and Width Meter Stack Combinations for Various Heights and Widths, by Number of Meter Positions

No. of Meter Positions	58" High			68" High			78" High		
	Use this Quantity of:		Width (Inches)	Use this Quantity of:		Width (Inches)	Use this Quantity of:		Width (Inches)
	UVS310	UVS311B		UVS410	UVS411B		UVS510	UVS511B	
9	3	0	30	Not Practical ^①		—	1	1	20
10	2	2	40	1	2	30	2	0	20
11	3	1	40	2	1	30	Not Possible ^②		—
12	4	0	40	3	0	30	Not Practical ^②		—
13	3	2	50	1	3	40	1	2	30
14	4	1	50	2	2	40	2	1	30
15	5	0	50	3	1	40	3	0	30
16	4	2	60	4	0	40	Not Practical ^②		—
17	5	1	60	2	3	50	1	3	40
18	6	0	60	3	2	50	2	2	40
19	5	2	70	4	1	50	3	1	40
20	6	1	70	5	0	50	4	0	40
21	7	0	70	3	3	60	1	4	50
22	6	2	80	4	2	60	2	3	50
23	7	1	80	5	1	60	3	2	50
24	8	0	80	6	1	60	4	1	50
25	7	2	90	4	3	70	5	0	50
26	8	1	90	5	2	70	2	4	60
27	9	0	90	6	1	70	3	3	60
28	8	2	100	7	0	70	4	2	60
29	9	1	100	5	3	80	5	1	60
30	10	0	100	6	2	80	6	0	60
31	9	2	110	7	1	80	3	4	70
32	10	1	110	8	0	80	4	3	70
33	11	0	110	6	3	90	5	2	70
34	10	2	120	7	2	90	6	1	70
35	11	1	120	8	1	90	7	0	70
36	12	0	120	9	0	90	4	4	80
37	11	2	130	7	3	100	5	3	80
38	12	1	130	8	2	100	6	2	80
39	13	0	130	9	1	100	7	1	80
40	12	2	140	10	0	100	8	0	80

① Use (3) UVS310 instead of (3) UVS411B.

② Use 3-high or 4-high stacks.

Trough & Phase Block Selection

Line Troughs

(Use Selection Chart #2 and Specification Chart #2)

Knowing the number of meter **stacks**, (not meter positions!) and the height and width requirements, select quantity and catalog number of stacks from Selection Chart #2. For specs, refer to Specification Chart #2

Breaker Troughs

(Use Selection Chart #2 and Specification Chart #3)

Using the total number of meter **stacks**, (not meter positions!), select the quantity and catalog number of breaker troughs from Selection Chart #2 and spec from Specification Chart #3. Use MP-T style breakers only. Breakers not included.

Phase Blocks

(Use Selection Chart #2 and Specification Chart #4)

Using the number of meter stacks and the incoming power supply, use Selection Chart #2 to determine the quantity and catalog number of phase blocks for line and neutral termination. Spec these from Specification Chart #4.

Selection Chart #2—Line Trough, Breaker Trough and Phase Block Selection

No. of Meter Stacks in Bank	Line Trough Selection			Breaker Trough Selection			Phase Block Section			
	Left Trough	Middle Trough	Right Trough	Left Trough	Middle Trough	Right Trough	3 Phase, 4 Wire System		1 Phase, 3 Wire System	
							Line Blocks	Neutral Block	Line Blocks	Neutral Block
3	ULT30 ^①	—	—	UBT30	—	—	(3) UPB3	(1) UPB3	(2) UPB3	(1) UPB3
4	ULT40 ^②	—	—	UBT40	—	—	(3) UPB3	(1) UPB6	(2) UPB6	(1) UPB6
5	ULT50	—	—	UBT50	—	—	(3) UPB6	(1) UPB6	(2) UPB6	(1) UPB6
6	ULT30 ^③	—	ULT30	UBT30 ^③	—	UBT30	(3) UPB6	(1) UPB6	(2) UPB6	(1) UPB6
7	ULT40 ^③	—	ULT30	UBT40 ^③	—	UBT30	(3) UPB6	(1) UPB12	(2) UPB12	(1) UPB12
8	ULT40 ^③	—	ULT40	UBT40 ^③	—	UBT40	(3) UPB6	(1) UPB12	(2) UPB12	(1) UPB12
9	ULT50 ^③	—	ULT40	UBT50 ^③	—	UBT40	(3) UPB6	(1) UPB12	(2) UPB12	(1) UPB12
10	ULT50 ^③	—	ULT50	UBT50 ^③	—	UBT50	(3) UPB12	(1) UPB12	(2) UPB12	(1) UPB12
11	ULT40 ^④	ULT40	ULT30	UBT40 ^④	UBT40	UBT30	(3) UPB12	(1) UPB12	(2) UPB12	(1) UPB12
12	ULT40 ^④	ULT40	ULT40	UBT40 ^④	UBT40	UBT40	(3) UPB12	(1) UPB12	(2) UPB12	(1) UPB12

- ① Spacer ULT10SP is required if line conductors exceed #6 AWG.
- ② Spacer ULT10SP is required if line conductors exceed #350 kcmil.
- ③ Requires (1) UCP1216 Coupler Kit. Kit provides coupling straps for both line and breaker troughs.
- ④ Requires (2) UCP1216 Coupler Kits. Kit provides coupling straps for both line and breaker troughs.

Specification Chart #2—Line Troughs 240V AC max. 1 Phase or 3 Phase

Stack Positions	Width ^① (Inches)	Catalog Number
2	20	ULT20 ^②
3	30	ULT30
4	40	ULT40
5	50	ULT50

- ① Line troughs are 12" high.
- ② Will not accommodate Phase Blocks.

Specification Chart #3— Breaker Troughs^①

Stack Positions	Width ^① (Inches)	Catalog Number
2	20	UBT20
3	30	UBT30
4	40	UBT40
5	50	UBT50

- ① Use Murray Type MP-T circuit breakers. Breakers not included.
- ② Height is 16".

Specification Chart #4—Phase Blocks 240V AC max. 1 Phase or 3 Phase

Number of Take-off Lugs	Catalog Number	Wire Range	
		Line ^①	Load
3	UPB3	3/8 x 16 Stud	#6 - #4/0
6	UPB6	3/8 x 16 Stud	#6 - #4/0
12	UPB12	3/8 x 16 Stud	#6 - #4/0

- ① Requires separate line lug kit.

Line Terminals

(Use Specification Chart #5)

Knowing the size and quantity per phase of the line conductors, select and spec these from Specification Chart #5. Line terminals come in kits of four terminal each. One kit will supply line terminals for three phase legs and neutral.

End Walls

(Use Specification Chart #6)

NOTE: Each installation MUST have an end wall kit! The kit provides end walls for each end of the line and breaker troughs. (Four end walls). Use Specification Chart #6.

Coupling Kits

(Use Selection Chart #2 and Specification Chart #6)

When more than one line trough is needed to support the number of meter stacks on a job, or when a line trough spacer is required, coupling straps are required to connect the troughs. Use Selection Chart #2 footnotes 3 and 4 to determine quantity of coupling kits required. Each kit provides one strap for line trough and one strap for breaker trough. Spec from Specification Chart #6.

Line Trough Spacer Kits

(Use Selection Chart #2 and Specification Chart #6)

In some applications, the first phase block may be too close to the end wall of the line trough to provide proper wire bend space for the line conductors being used. Selection Chart #2 footnotes 1 and 2 will show when spacer kits are required.

Tenant Circuit Breakers

Each meter position in use requires a tenant circuit breaker. Use standard Murray Type MP-T circuit breakers from the Murray Catalog.

Specification Chart #5—Line Terminals

Wire Range	Catalog Number
(1) #6-350 kcmil	ULK1350
(1) #4-500 kcmil or (2) #1/0-250 kcmil	ULK1500
(2) #2-600 kcmil	ULK2500

Specification Chart #6—End Wall and Coupling Kits

Item	Catalog Number
End Wall Kit Contains 4 end walls; 2 for line trough and 2 for breaker trough.	UEW1216
Coupling Kit Contains 2 coupling straps; 1 for line trough and 1 for breaker trough.	UCP1216

Specification Chart #7—Accessories

Item	Catalog Number
Spacer 10" spacer for use with line trough to provide wire bend space where required	ULT10SP
Meter Cover	UMCVR
Blank Position Cover	UMBCVR
Plastic Meter Cover (Ring Type)	SX087M
Breaker Filler Plate	LX100FP

